
BuzziHug Work

Product Specification Sheet

This document contains technical information about the Hug Work




www.buzzi.space

The Coziest Workstation

Made from a cardboard core and high-quality acoustic materials, BuzziHug Work provides visual and acoustic privacy where individuals can focus and recharge in peace. The solution can be customized in various fabrics, colors and table finishes to complement any workspace aesthetic and meet specific user preferences. The workstation is available in two different models, BuzziHug Work Small and BuzziHug Work Medium, and two different heights.

Design by BuzziSpace Studio

General

 S | M


Upholstered acoustic foam element

 Tablet: Antwerp Oak or White Laminate (with or without cable tray)

Legs: Metal Powder Coated Black (RAL 9005)

Fabrics: Fabric, Trevira CS, Remix 3, Clara 2, Hero 2, Tonus 4, Arda or Memory 2

 Dry Use

 Unassembled

Acoustics



Absorption



Diffusion



Attenuation



Low tone



Mid tone



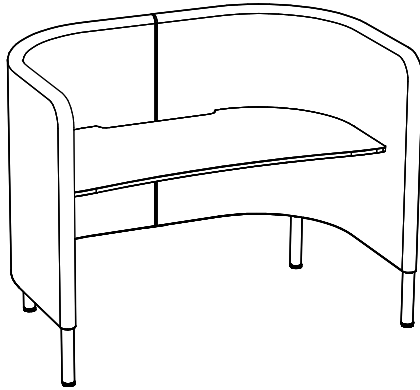
High tone

Content

Configurations	3
Components	4
Fabrics	5
Dimensions	8
Dimensions Worktop	9

Configurations

BuzziHug Work



🔑 S | M

Upholstered acoustic foam element



Tablet: Antwerp Oak* or White Laminate (with or without cable tray)

Legs: Metal Powder Coated Black (RAL 9005)

Fabrics: Fabric, Trevira CS, Remix 3, Clara 2, Hero 2, Tonus 4, Arda or Memory 2

S: Width: 125 cm Depth: 100 cm Height: 120 or 135 cm
 Width: 49.21" Depth: 39.37" Height: 47.24" or 53.15"



M: Width: 165 cm Depth: 100 cm Height: 120 or 135 cm
 Width: 64.96" Depth: 39.37" H 47.24" or 53.15"

S: H120 Oak without cable tray:	29,6 kg		65.26 lbs
S: H120 Oak with cable tray:	32,3 kg		71.21
S: H120 White Laminate without cable tray:	30 kg		66.14 lbs
S: H120 White Laminate with cable tray:	32,5 kg		71.65 lbs
S: H135 Oak without cable tray:	33,2 kg		73.19 lbs
S: H135 Oak with cable tray:	35,9 kg		79.15 lbs
S: H135 White Laminate without cable tray:	33,7 kg		74.30 lbs
S: H135 White Laminate with cable tray:	36,1 kg		79.59 lbs



M: H120 Oak without cable tray:	34,3 kg		75.62 lbs
M: H120 Oak with cable tray:	38,5 kg		84.88 lbs
M: H120 White Laminate without cable tray:	35,3 kg		77.82 lbs
M: H120 White Laminate with cable tray:	39,3 kg		86.64 lbs
M: H135 Oak without cable tray:	38 kg		83.78 lbs
M: H135 Oak with cable tray:	42,4 kg		93.48 lbs
M: H135 White Laminate without cable tray:	39,2 kg		86.42 lbs
M: H135 White Laminate with cable tray:	43,2 kg		95.24 lbs

*These solid wood worktops may contain knots, natural color variations and drying splits as normal features of the product. This contributes to the uniqueness of each worktop.

Components

Worktop without Cable Tray

S



M



Worktop with Cable Tray

S



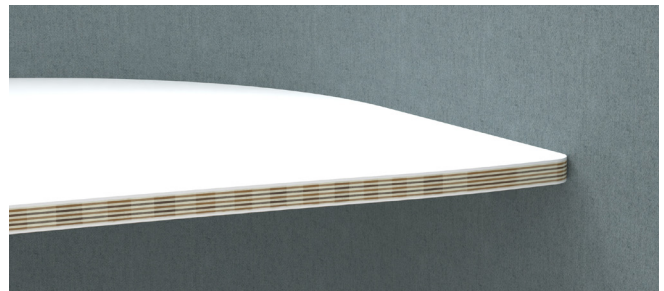
M



Worktop



Antwerp Oak: These solid wood tablet may contain knots, natural color variations and drying splits as normal features of the product. This contributes to the uniqueness of each tablet.



White Laminate with birch multiplex core

Metal Legs

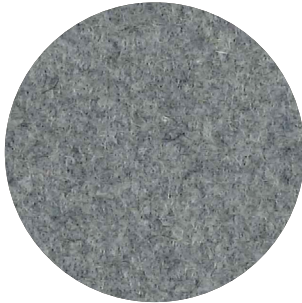


4 powder coated metal legs in black (RAL 9005) with adjustable feet

If the surface is slippery, you can apply the provided adhesive rubber pads onto the product's feet.

Fabrics

Fabric (45 colors)



Category A

Composition 70% Recycled Wool, 25% Recycled Polyacryl,
5% Recycled Other Fabrics

Weight 405 g/m² | 11.94 oz/yd²

Abrasion resistance 40.000 Martindale, 50,000 Wyzenbeek

Flammability EU: EN 1021.1/2006 | BS EN 1021.1/2006 (cigarette).
EN 1021.2/2006 | BS EN 1021.2/2006 (match)
USA: CAL TB 117 | ASTM E84 CLASS A

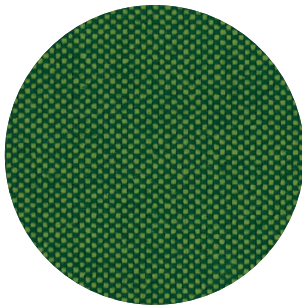
Fastness to light EU: 4 | USA 4

Fastness to rubbing EU: Wet 3-4 | Dry 4-5

Fastness to crocking USA: Wet 5 | Dry 5



Trevira CS (47 colors)



Category A

Weight 420 g/m² | 12.39 oz/yd²

Composition 100% Polyester, Trevira CS

Abrasion resistance 100.000 Martindale, 90,000 Wyzenbeek

Flammability BS 5852 part II: CRIB 5 | BS 7176 Medium Hazard
USA: CAL TB 117 | M1 | B1 | EN 1021/1-2 | C1 |
IMO Res. A652 (16)

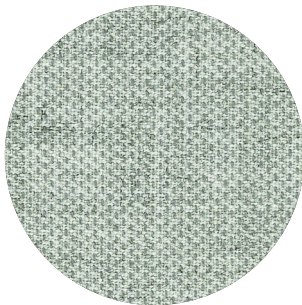
Fastness to light EU: 6 | USA 5

Fastness to rubbing EU: Wet 4-5 | Dry 4-5

Fastness to crocking USA: Wet 5 | Dry 5



Clara 2 (24 colors)



Category B

Composition 92% new wool, 8% nylon

Weight 400 g/lin.m

Abrasion resistance 80.000 Martindale rubs, EN ISO 12947

Flammability EN 1021-1/2 | BS 5852, ignition source 2-3 | DIN 4102 B2
NF D 60 013 | UNI 9175 11M | US Cal. Tech. Bull. 117, Sec. E
NFPA 260 | IMO A.652(16)

Fastness to light Note 5-7, ISO 105-B02

Fastness to rubbing (ISO) dry 4-5, wet 4

Pilling Note 4, EN ISO 12945



kvadrat

Remix 3 (73 colors)

kvadrat



Category B

Composition 90% new wool, 10% nylon

Weight 415 g/lin.m

Abrasion resistance 100.000 Martindale rubs, EN ISO 12947

Flammability EN 1021-1/2 | BS 5852 part 1

Önorm B1/Q1 | NF D 60 013 | UNI 9175, 1IM

AS/NZS 1530.3 | Cal. Tech. Bull. 117-2013

NFPA 260 | IMO FTP Code 2010:Part 8

Fastness to light Note 5-7, ISO 105-B02

Fastness to rubbing (ISO) dry 4-5, wet 4

Pilling Note 4, EN ISO 12945



Hero 2 (33 colors)

kvadrat



Category C

Composition 97% new wool, 3% nylon

Weight 580 g/lin.m

Abrasion resistance 45.000 Martindale rubs, EN ISO 12947

Flammability EN 1021-1/2 | DIN 4102 B2 | NF D 60 013

UNI 9175 1IM | US Cal. Bull. 117-2013 | NFPA 260

IMO A.652 (16)

Fastness to light Note 5-6, ISO 105-B02

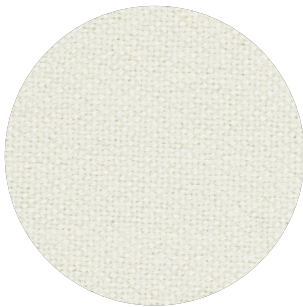
Fastness to rubbing (ISO) dry 4-5, wet 4-5

Pilling Note 3-4, EN ISO 12945



Tonus 4 (47 colors)

kvadrat



Category D

Composition 90% new wool, 10% Helanca

Weight 665 g/lin.m

Abrasion resistance 100.000 Martindale rubs, EN ISO 12947

Flammability EN 1021-1/2 | BS 5852 part 1 | DIN 4102 B2

Önorm B1/Q1 | NF D 60 013 | UNI 9175 1IM

US Cal. Bull. 117-2013 | NFPA 260 | IMO A.652 (16)

Fastness to light Note 5-7, ISO 105-B02

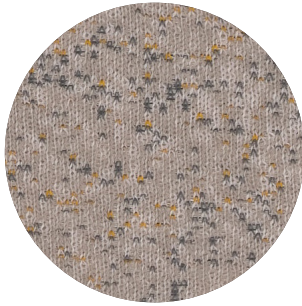
Fastness to rubbing (ISO) dry 3-5, wet 3-5

Pilling Note 3, EN ISO 12945



Arda (12 colors)

kvadrat



Category E

Composition 70% new wool 21% polyester 9% nylon

Weight 800 g/lin. m | 25.8 oz/ly

Abrasion resistance

Approx. 50.000 Martindale rubs, EN ISO 12947

Flammability ASTM E84 Class A Unadhered | AS/NZS 3837 class 2 | BS 5852 part 1
BS 5852 crib 5 | DIN 4102 B2 | EN 1021-1/2 | IMO FTP Code 2010 Part 8
UNI 9175 1IM | US Cal. Bull. 117-2013

Fastness to light Note 5-8, ISO 105-B02

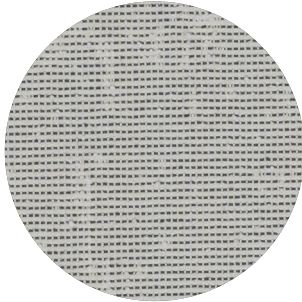
Fastness to rubbing Dry note 3-5 ISO 105-X12
Wet note 3-5 ISO 105-X12

Pilling Note 4, EN ISO 12945



Memory 2 (20 colors)

kvadrat



Category E

Composition 100% Trevira CS

Weight 700 g/lin.m

Abrasion resistance

35.000 rubs acc. to the Martindale method, EN ISO 12947

Flammability EN 1021-1/2 | DIN 4102 B1 | Önorm B1/Q1
NF D 60 013 | NF P 92 507 M1 | UNI 9175 1IM
UNI 9177 classe 1 | US Cal. Tech. Bull. 117
IMO A.652 (16)

Fastness to light Note 5-8, ISO 105-B02

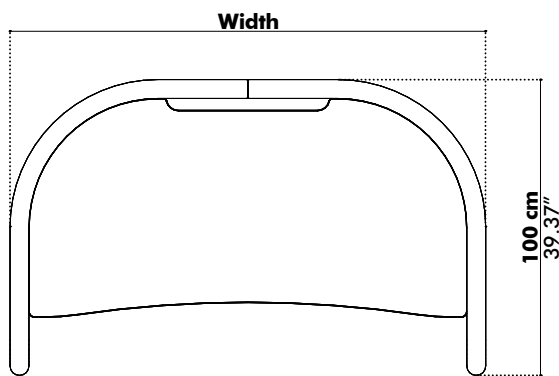
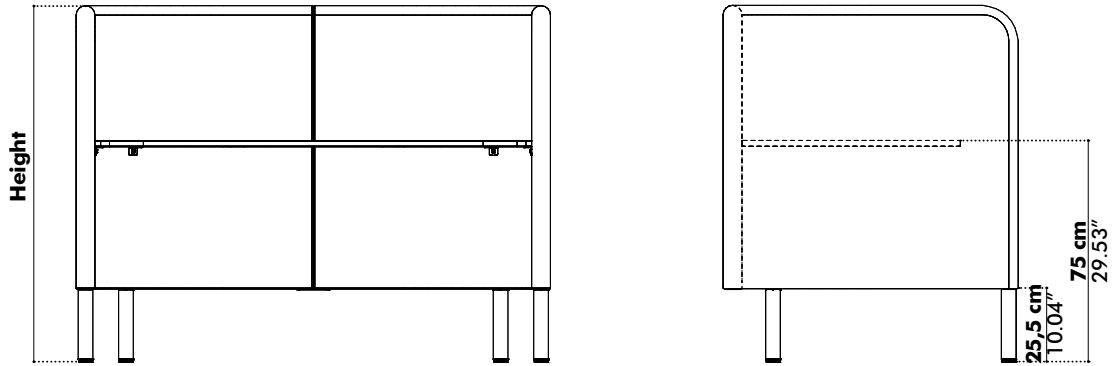
Fastness to rubbing (ISO) dry 4-5, wet 4-5

Pilling Note 4, EN ISO 12945



Dimensions

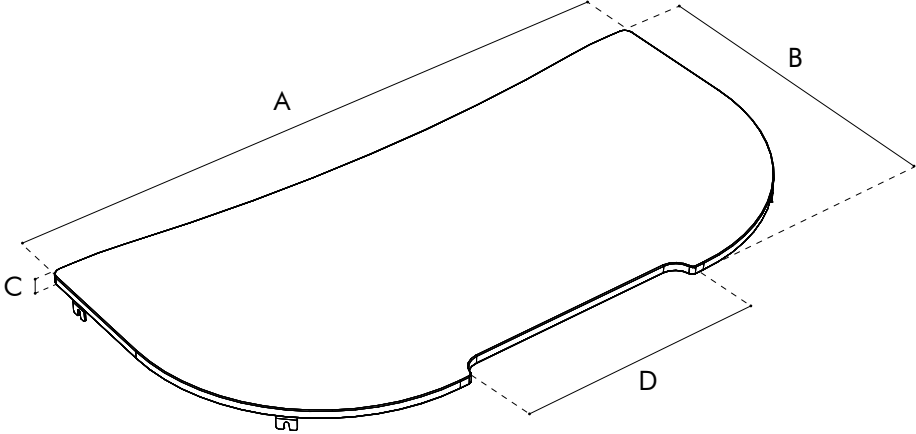
BuzziHug Work



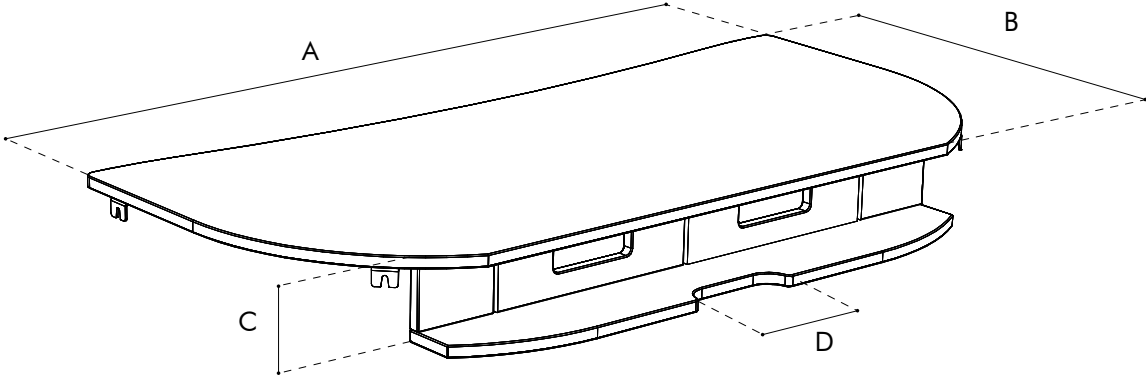
	Width		Height	
S	125 cm	49.21"	120 cm	47.24"
M	165 cm	64.96"	135 cm	53.15"

Dimensions Worktop

Worktop without cable tray



Worktop with cable tray



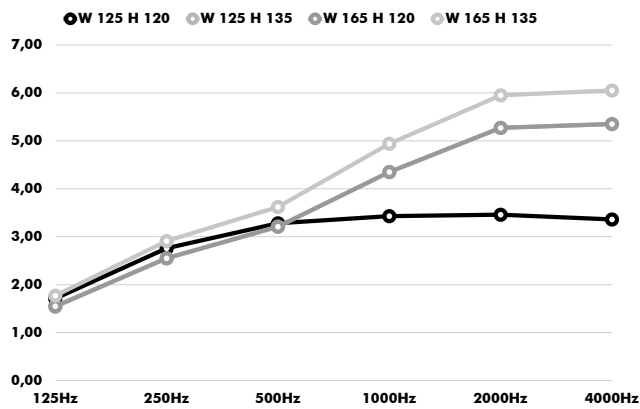
BuzziTemp

		'A' Width	'B' Depth	'C' Height	'D' Width
Worktop without cable tray	S	108cm 42.52"	74 cm 29.13"	2 cm 0,79"	15 cm 5.91"
	M	148 cm 58.27"			55 cm 21.65"
Worktop with cable tray	S	108 cm 42.52"	74 cm 29.13"	16 cm 6.30"	15 cm 5.91"
	M	148 cm 58.27"			19 cm 7.48"

Acoustics

Hug Work

Equivalent sound absorption area in m² per object



Hz	W 125 H 120 Aeq/m ²	W 125 H 135 Aeq/m ²	W 165 H 120 Aeq/m ²	W 165 H 135 Aeq/m ²
125	1.17	1.54	1.55	1.77
250	1.90	2.55	2.55	2.91
500	2.36	3.21	3.21	3.62
1000	3.22	4.35	4.35	4.94
2000	3.89	5.27	5.27	5.95
4000	3.93	5.35	5.35	6.05