
BuzziFloat

Product Specification Sheet

This document contains technical information about the BuzziFloat



www.buzzi.space



A minimal chair to maximize space

BuzziFloat is an intentionally simple design that blends into its surroundings. This transparent chair is engineered to feel spacious and airy and has a strong graphic personality.

BuzziFloat is offered in multiple finishes: non-upholstered or upholstered with an elegantly cushioned seat and backrest. Meeting all functional needs the chair is available with three base options: wooden base, metal cross (with or without wheels).

The bent plywood back support aligns perfectly with your tabletop. BuzziFloat fits together perfectly with BuzziPicNic tables in office settings, residential homes and hospitality areas.

Design by Alain Gilles

General

 Float | Float Cross | Float CrossPlus

Shell in Ash White Wash or Ash Black Stained



Base Float in Ash White Wash or Ash Black Stained (same as shell)

Base Float Cross in Black Satin

Base Float Cross in Black Satin



W 58 cm H 79 cm D 51 cm

W 22.83" H 31.10" D 20.08"



Dry use



Plain or with upholstered cushions in Fabric, Trevira CS, Revive 1, Clara 2, Remix 3, Velvet, Hero 2, Tonus 4, Arda, Memory 2 or Leather Vegetal

Content

Configurations	3
Components	4
Fabrics	5
Finishes	8
Dimensions	9

Configurations

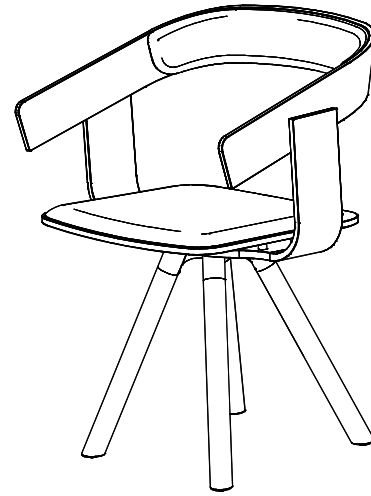
BuzziFloat

🌲 Shell: Ash White Wash or Ash Black Stained
Base: Ash White Wash or Ash Black Stained including felt gliders

✂ W 58 cm H 79 cm D 51 cm
W 22.83" H 31.10" D 20.08"

⚖ 7,8 kg (8,7 kg incl. cushion)
17.20 lbs (19.18 lbs incl cushion)

⋯ Optional: Upholstered seat cushion and back cushion
in Fabric, Trevira CS, Reflect, Revive 1, Clara 2, Remix 3,
Velvet, Hero 2, Tonus 4, Arda, Memory 2 or Leather Vegetal



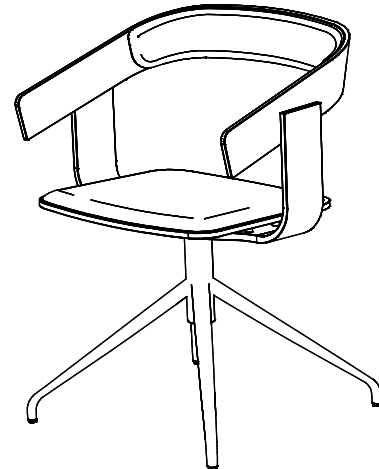
BuzziFloat Cross

🌲 Shell: Ash White Wash or Ash Black Stained
Base: in Black Satin

✂ W 58 cm H 79 cm D 51 cm
W 22.83" H 31.10" D 20.08"

⚖ 7,6 kg (8,5 kg incl. cushion)
16.76 lbs (18.74 lbs incl cushion)

⋯ Optional: Upholstered seat cushion and back cushion
in Fabric, Trevira CS, Reflect, Revive 1, Clara 2, Remix 3,
Velvet, Hero 2, Tonus 4, Arda, Memory 2 or Leather Vegetal



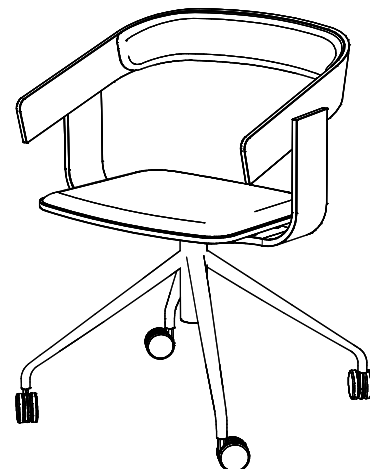
BuzziFloat CrossPlus

🌲 Shell: Ash White Wash or Ash Black Stained
Base: in Black Satin

✂ W 58 cm H 79 cm D 51 cm
W 22.83" H 31.10" D 20.08"

⚖ 7,8 kg (8,7 kg incl. cushion)
17.20 lbs (19.18 lbs incl cushion)

⋯ Optional: Upholstered seat cushion and back cushion
in Fabric, Trevira CS, Reflect, Revive 1, Clara 2, Remix 3,
Velvet, Hero 2, Tonus 4, Arda, Memory 2 or Leather Vegetal



Components

BuzziFloat Base



The BuzziFloat wooden base consists of four Ash legs available in Black Stained or White Wash including felt gliders. The wooden legs are connected with a Black (RAL 9005) powder coated metal support to the BuzziFloat shell. Shell and base are only available in the same color/finish.

BuzziFloat Cross Base



The high quality finished metal BuzziFloat Cross base is available with a satin black coating including plastic transparent gliders.

BuzziFloat CrossPlus Base



The BuzziFloat CrossPlus metal base is available with a satin black coating. The base includes black wheels.

Upholstered Cushions

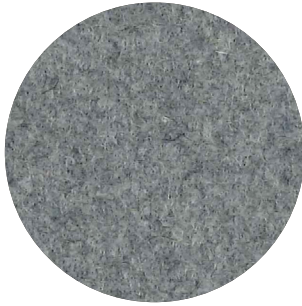


The BuzziFloat, BuzziFloat Cross and BuzziFloat CrossPlus can optionally be fitted with a seat cushion and back cushion upholstered in Fabric, Trevira CS, Reflect, Revive 1, Clara 2, Remix 3, Velvet, Hero 2, Tonus 4, Arda, Memory 2 or Leather Vegetal.

Both cushions are only available in the same fabric collection and color.

Fabrics

Fabric (45 colors)



Category A

Composition 70% Recycled Wool, 25% Recycled Polyacryl,
5% Recycled Other Fabrics

Weight 405 g/m² | 11.94 oz/yd²

Abrasion resistance 40.000 Martindale, 50,000 Wyzenbeek

Flammability EU: EN 1021.1/2006 | BS EN 1021.1/2006 (cigarette).
EN 1021.2/2006 | BS EN 1021.2/2006 (match)
USA: CAL TB 117 | ASTM E84 CLASS A

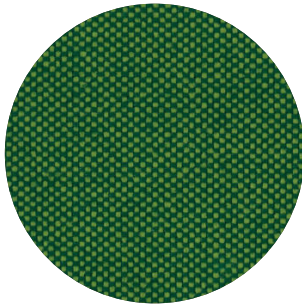
Fastness to light EU: 4 | USA 4

Fastness to rubbing EU: Wet 3-4 | Dry 4-5

Fastness to crocking USA: Wet 5 | Dry 5



Trevira CS (47 colors)



Category A

Weight 420 g/m² | 12.39 oz/yd²

Composition 100% Polyester, Trevira CS

Abrasion resistance 100.000 Martindale, 90,000 Wyzenbeek

Flammability BS 5852 part II: CRIB 5 | BS 7176 Medium Hazard
USA: CAL TB 117 | M1 | B1 | EN 1021/1-2 | C1 |
IMO Res. A652 (16)

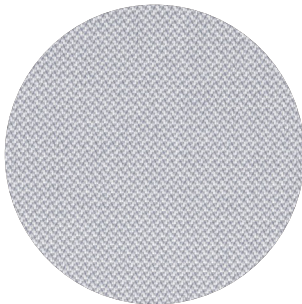
Fastness to light EU: 6 | USA 5

Fastness to rubbing EU: Wet 4-5 | Dry 4-5

Fastness to crocking USA: Wet 5 | Dry 5



Revive 1 (25 colors)



Category A

Composition 100% recycled polyester FR

Weight 430 g/lin.m

Abrasion resistance 60.000 Martindale rubs, EN ISO 12947

Flammability EN 1021-1/2 | DIN 4102 B1 | Önorm B1/Q1
UNI 9175 1IM | US Cal. Tech. Bull. 117
IMO A.652 (16)

Fastness to light Note 5-7, ISO 105-B02

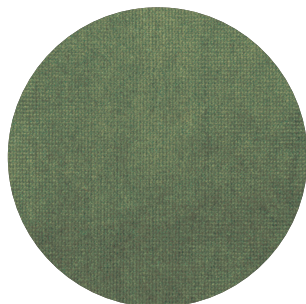
Fastness to rubbing (ISO) dry 5, wet 4-5

Pilling Note 4-5, EN ISO 12945



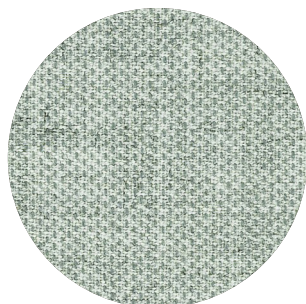
kvadrat

Velvet (47 colors)



Category B
Composition 100% PES
Weight 375 g/m² | 11.06 oz/yd²
Abrasion resistance > 100.000 Martindale
Fastness to light EU: 4-5
Fastness to rubbing EU: Wet 4 | Dry 4-5
Pilling EU: 4-5

Clara 2 (24 colors)



Category B
Composition 92% new wool, 8% nylon
Weight 400 g/lin.m
Abrasion resistance 80.000 Martindale rubs, EN ISO 12947
Flammability EN 1021-1/2 | BS 5852, ignition source 2-3 | DIN 4102 B2
NF D 60 013 | UNI 9175 1IM | US Cal. Tech. Bull. 117, Sec. E
NFPA 260 | IMO A.652(16)
Fastness to light Note 5-7, ISO 105-B02
Fastness to rubbing (ISO) dry 4-5, wet 4
Pilling Note 4, EN ISO 12945



kvadrat

Remix 3 (73 colors)

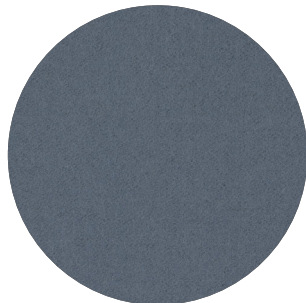


Category B
Composition 90% new wool, 10% nylon
Weight 415 g/lin.m
Abrasion resistance 100.000 Martindale rubs, EN ISO 12947
Flammability EN 1021-1/2 | BS 5852 part 1
Önorm B1/Q1 | NF D 60 013 | UNI 9175, 1IM
AS/NZS 1530.3 | Cal. Tech. Bull. 117-2013
NFPA 260 | IMO FTP Code 2010:Part 8
Fastness to light Note 5-7, ISO 105-B02
Fastness to rubbing (ISO) dry 4-5, wet 4
Pilling Note 4, EN ISO 12945



kvadrat

Hero 2 (33 colors)



Category C
Composition 97% new wool, 3% nylon
Weight 580 g/lin.m
Abrasion resistance 45.000 Martindale rubs, EN ISO 12947
Flammability EN 1021-1/2 | DIN 4102 B2 | NF D 60 013
UNI 9175 1IM | US Cal. Bull. 117-2013 | NFPA 260
IMO A.652 (16)
Fastness to light Note 5-6, ISO 105-B02
Fastness to rubbing (ISO) dry 4-5, wet 4-5
Pilling Note 3-4, EN ISO 12945



kvadrat

Tonus 4 (47 colors)

kvadrat



Category D

Composition 90% new wool, 10% Helanca

Weight 665 g/lin.m

Abrasion resistance 100.000 Martindale rubs, EN ISO 12947

Flammability EN 1021-1/2 | BS 5852 part 1 | DIN 4102 B2

Önorm B1/Q1 | NF D 60 013 | UNI 9175 11M

US Cal. Bull. 117-2013 | NFPA 260 | IMO A.652 (16)

Fastness to light Note 5-7, ISO 105-B02

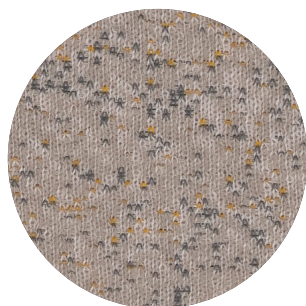
Fastness to rubbing (ISO) dry 3-5, wet 3-5

Pilling Note 3, EN ISO 12945



Arda (12 colors)

kvadrat



Category E

Composition 70% new wool 21% polyester 9% nylon

Weight 800 g/lin. m | 25.8 oz/ly

Abrasion resistance

Approx. 50.000 Martindale rubs, EN ISO 12947

Flammability ASTM E84 Class A Unadhered | AS/NZS 3837 class 2 | BS 5852 part 1

BS 5852 crib 5 | DIN 4102 B2 | EN 1021-1/2 | IMO FTP Code 2010 Part 8

UNI 9175 11M | US Cal. Bull. 117-2013

Fastness to light Note 5-8, ISO 105-B02

Fastness to rubbing Dry note 3-5 ISO 105-X12

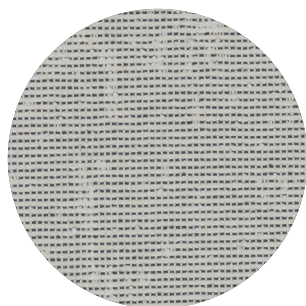
Wet note 3-5 ISO 105-X12

Pilling Note 4, EN ISO 12945



Memory 2 (20 colors)

kvadrat



Category E

Composition 100% Trevira CS

Weight 700 g/lin.m

Abrasion resistance

35.000 rubs acc. to the Martindale method, EN ISO 12947

Flammability EN 1021-1/2 | DIN 4102 B1 | Önorm B1/Q1

NF D 60 013 | NF P 92 507 M1 | UNI 9175 11M

UNI 9177 classe 1 | US Cal. Tech. Bull. 117

IMO A.652 (16)

Fastness to light Note 5-8, ISO 105-B02

Fastness to rubbing (ISO) dry 4-5, wet 4-5

Pilling Note 4, EN ISO 12945



Leather Vegetal



Raw material Scandinavian Bullhides

Surface Pure Aniline

Flammability EU: EN 1021.1 - BS5852 PART 1 (cigarette)

EN 1021.2 - BS5852 PART 1 (match)

USA: CAL TB 117

Fastness to light EU: 3 Blue Scale (72h exposition)

Fastness to rubbing EU: Wet: 20 cycles/3 | Dry: 50 cycles/3

Sweat: 20 cycles/3

Strenght Tear resistance: >20N or 10N/mm thickness

Tensile: >20N/mmq

Elongation: 40-70%

Finishes



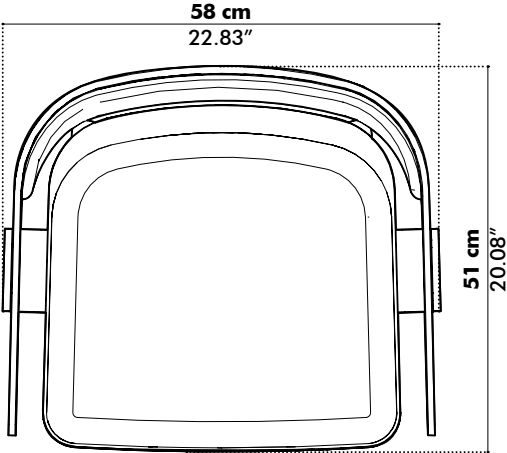
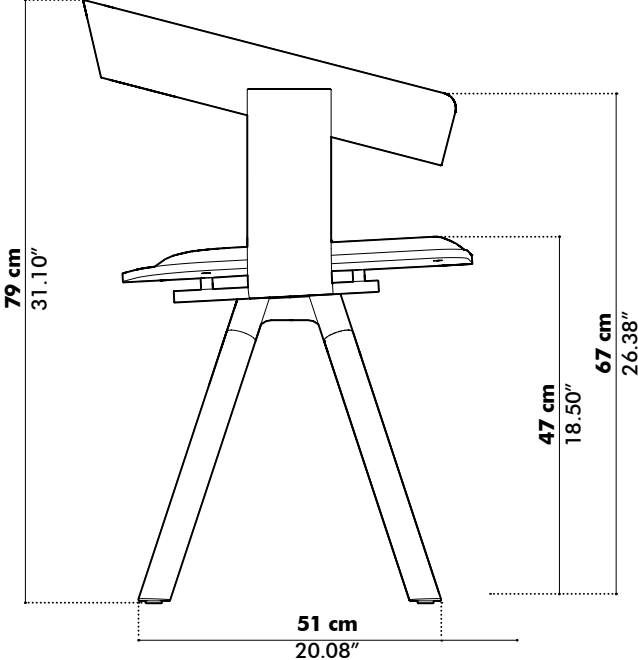
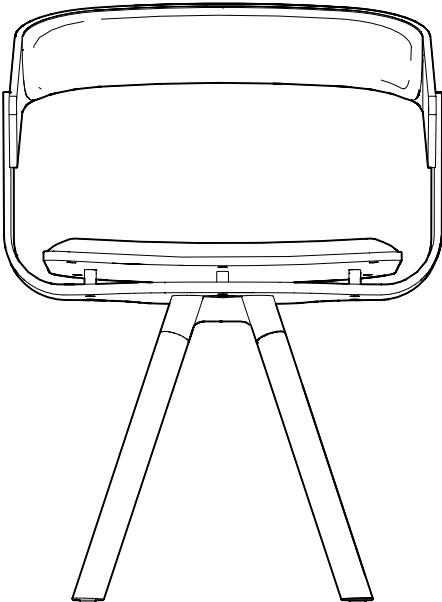
Ash White Wash



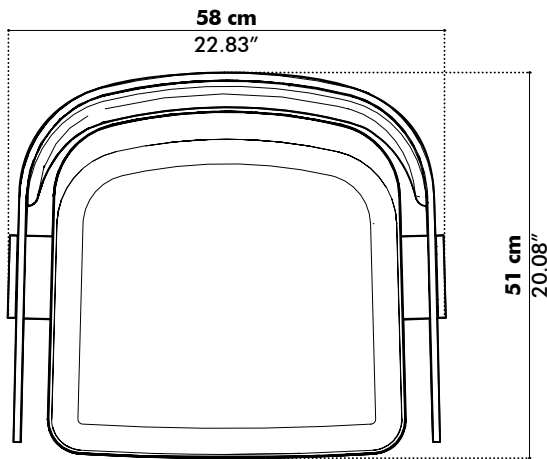
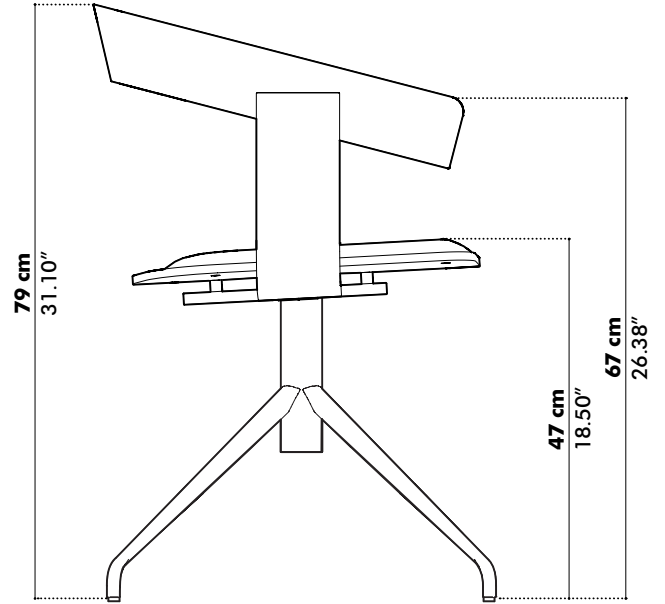
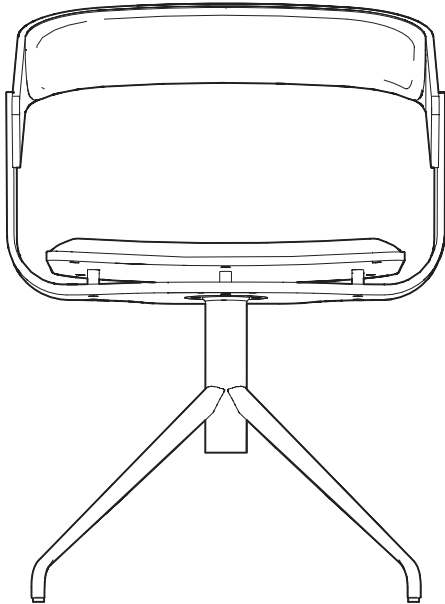
Ash Black Stained

Dimensions

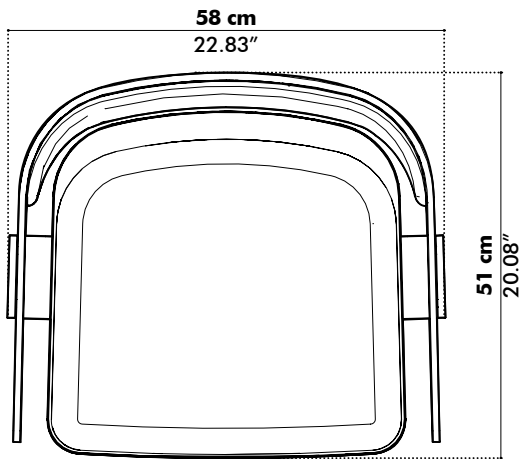
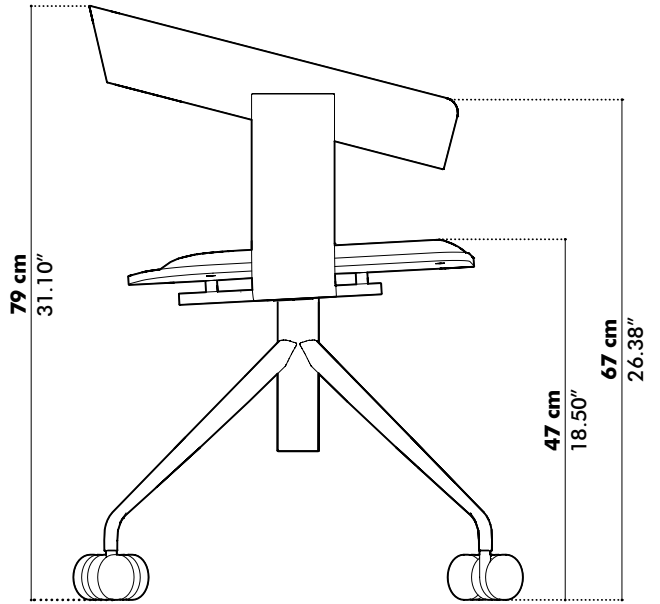
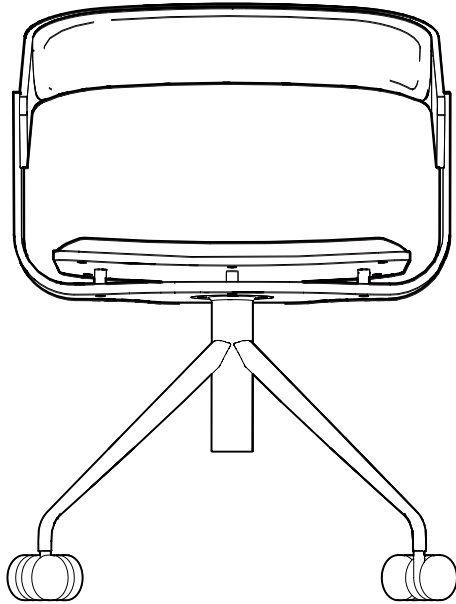
BuzziFloat



BuzziFloat Cross



BuzziFloat CrossPlus



▲ Dimensions may vary within +/- 5mm tolerance range