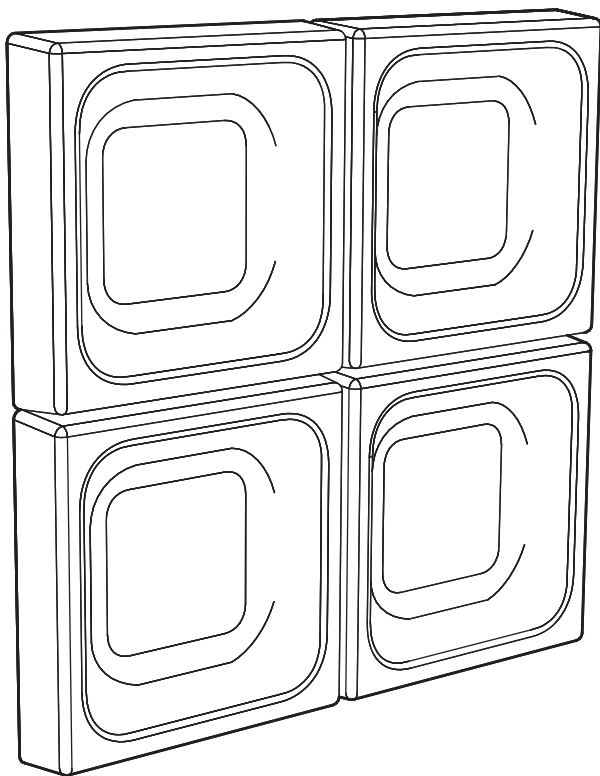


BuzziReForm

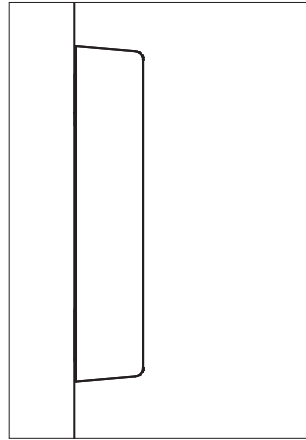
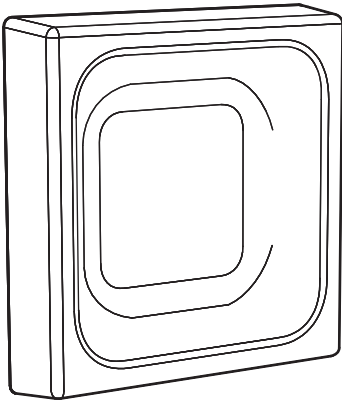
INSTALLATION MANUAL



Both fixing systems are optional – you can also opt for mounting the panels using commercially available glue. We recommend using Tec7 X-Tack or Soudal Fix All High Tack for the best results.

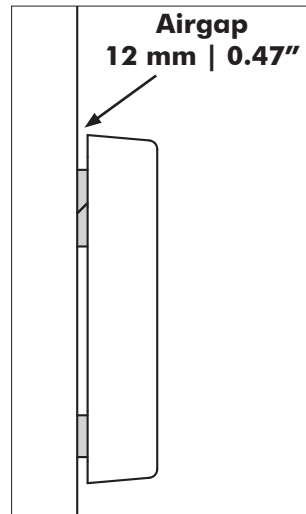
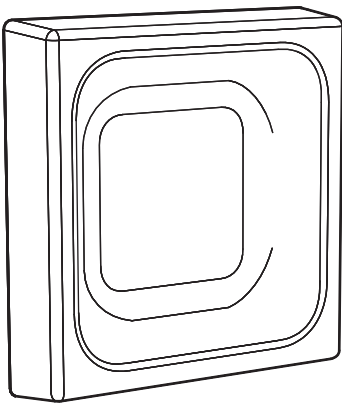
Fixing System Adhesive

P.3

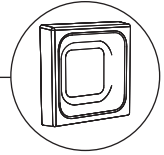


Fixing System Wood

P.5



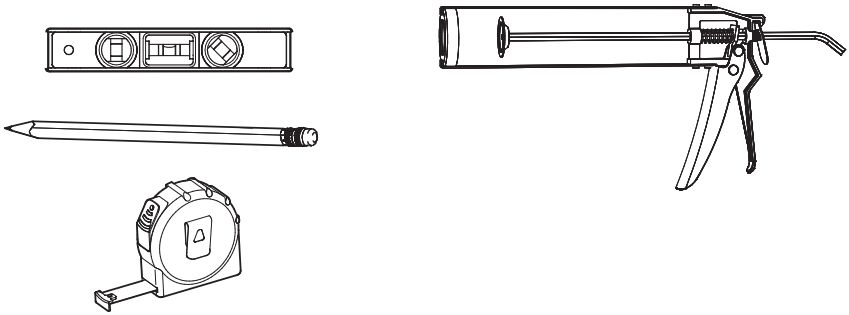
Fixing System Adhesive



1 Fixing System Adhesive is adequate for 12 panels/3 sets

1 PERS.

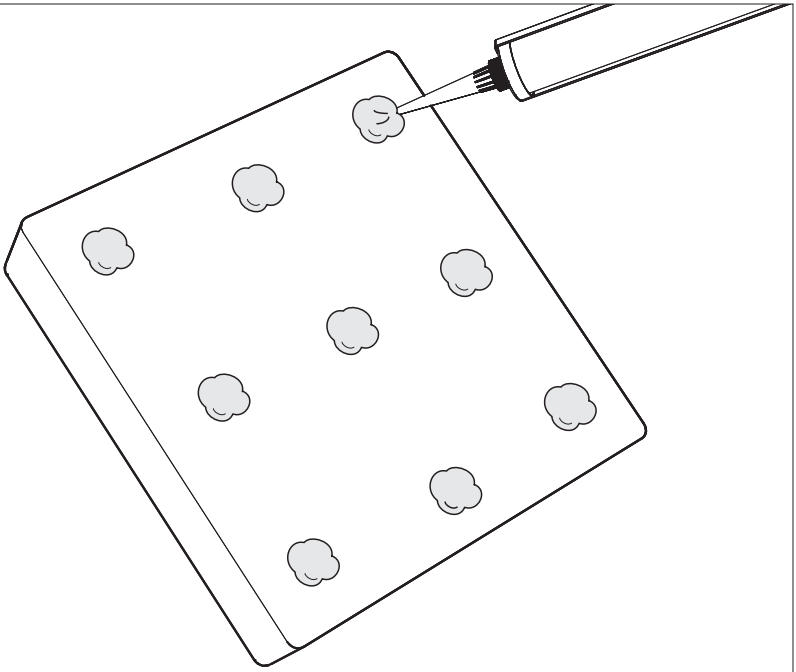
Excluding



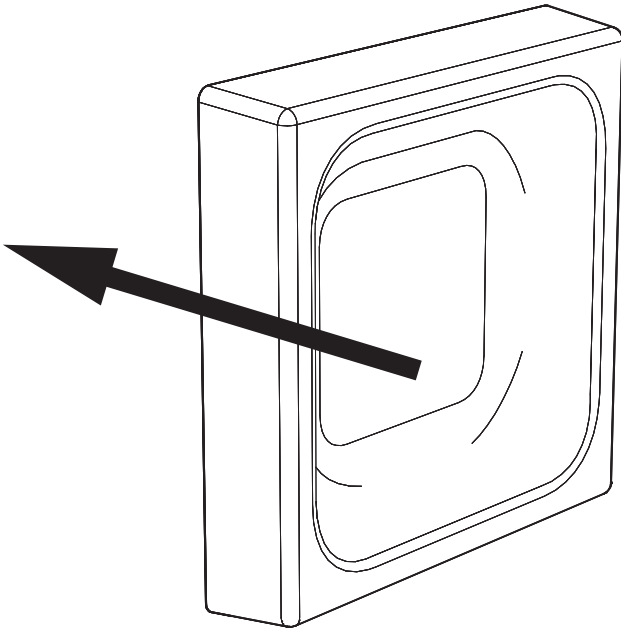
Including



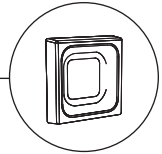
1



2



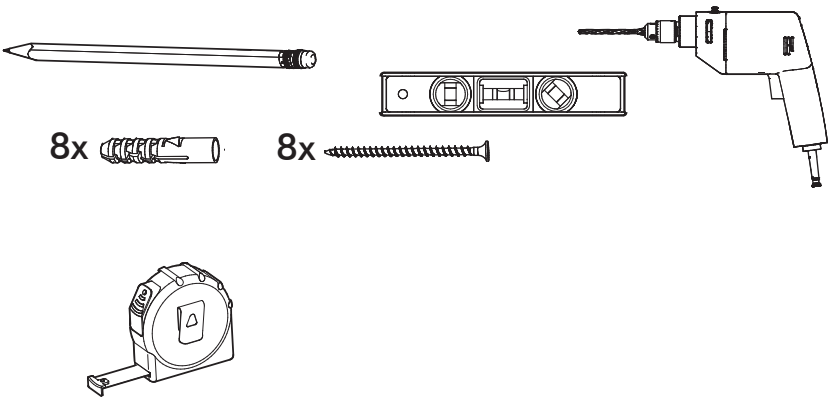
Fixing System Wood



1 Fixing Sytem Wood is adequate for 4 panels/1 set

1 PERS.

Excluding



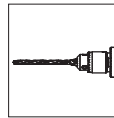
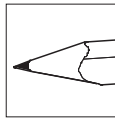
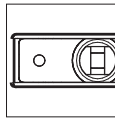
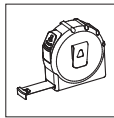
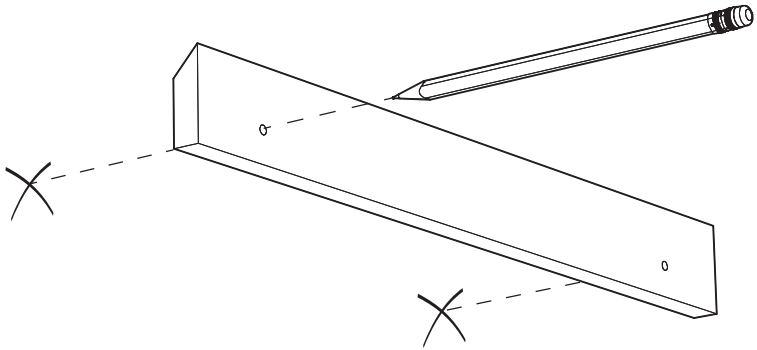
Including

16x

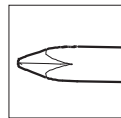
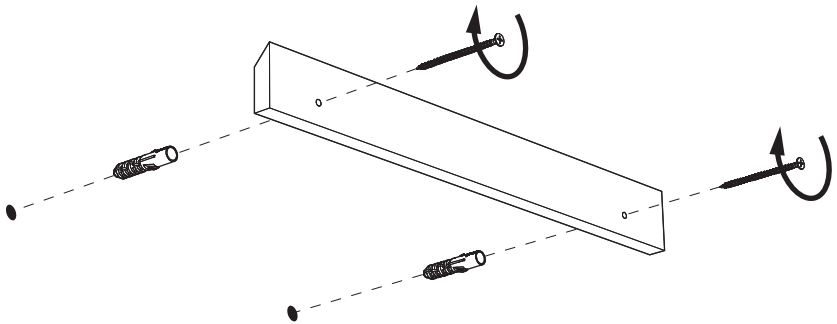
8x

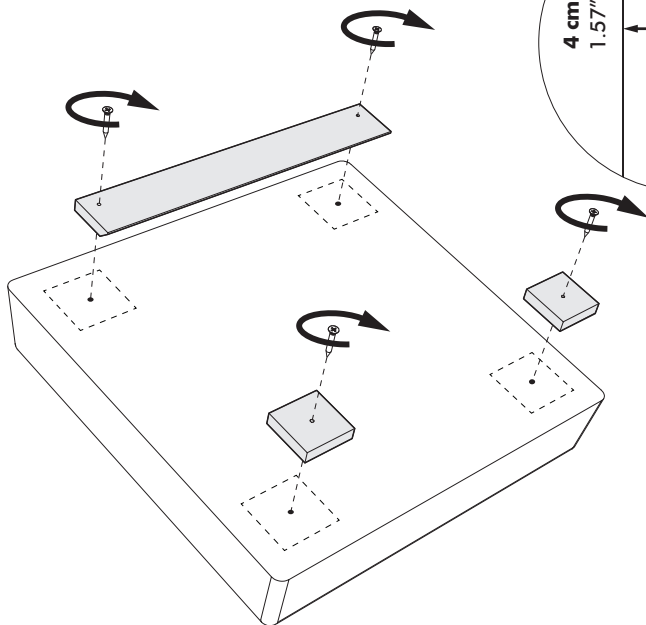
8x

1

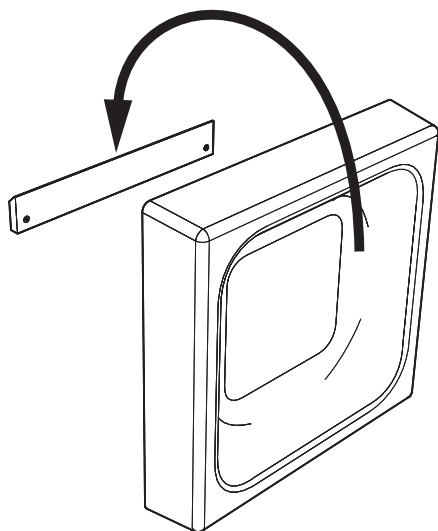


2



3

Ensure the cleats and spacers are positioned exactly as shown. Incorrect positioning may prevent the screws from holding firmly.

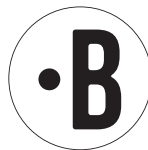
4

BuzziSpace Group NV
Italiëlei 8, 2000 Antwerp
Belgium

☎ +32 (0)3 846 10 00

✉ info@buzzi.space

🌐 www.buzzi.space



Doc nr.: A-0000008121
Last update: 18/02/2025