



BuzziBrella Product Specification Sheet

This document contains technical information about the BuzziBrella









www.buzzi.space

An Acoustic Shelter

Design by Sebastian Herkner, BuzziBrella creates cozy, semi-enclosed spaces within large areas, offering users a sense of privacy and tranquillity without sacrificing openness. Perfect for interiors that need flexible work and focus areas. The solution is equipped with 3 USBs, 3 65W A+C USB fast charges, and 3 LED Spots, providing ample light for work or reading.

Design by Sebastian Herkner

General

-  BuzziBrella Chill
BuzziBrella Focus
-  Frame powder coated metal in Black (RAL 9005) or White (RAL 9010)
BuzziBrella Focus: 3 Tablets in Antwerp Oak
Fabrics: Fabric, Tonus 4
-  3 x LED Spot 4000K
3 x USB 65W A+C USB fast charge
-  Dry Usage
-  Unassembled
-  Tilted roof
Bicolor

Certifications

Light: CE/CB, cULus Listed E473379
Driver: CE/CB, cULus Listed E507292
USB: CE/CB, cTUVus UL 62368-1 CAN/CSA C22.2

Acoustics



Absorption



Low tone



Mid tone



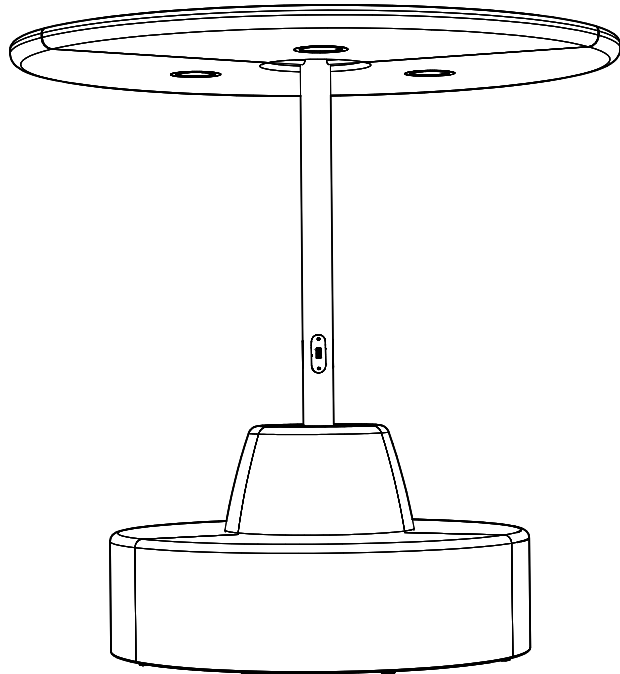
High tone








Content

Configurations	3
Components	5
Fabrics	7
Dimensions	8
Acoustics	10

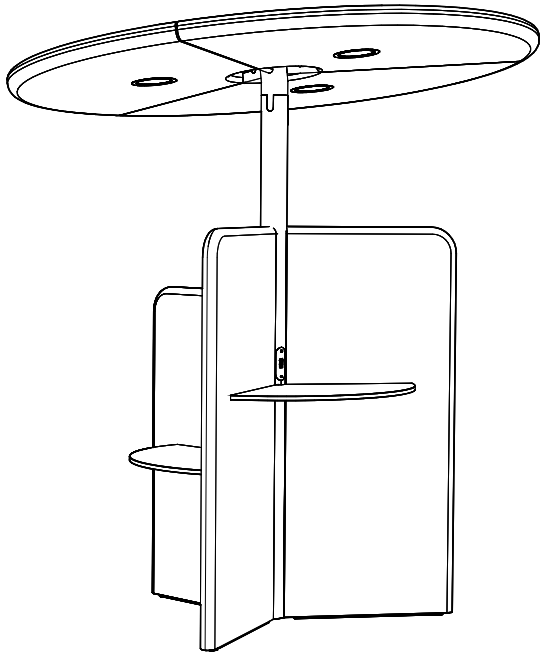
Configurations

BuzziBrella Chill



-  Frame powder coated metal in Black (RAL 9005) or White (RAL 9010)
3 x cloth hanger in powder coated metal in Black (RAL 9005)
-  3 x USB 65W A+C USB fast charge
- 3 x LED Spot
1 x on/off switch included in metal frame
Input Voltage: 24V
Wattage: 3 x 4,8W
-  Lumen Output: 3 x 408lm
Efficacy: 85lm/W
Color Temperature: 4000K
Color Rendering Index: 82
-  Length: 2,40 m | 94.49"
Width: 2,40 m | 94.49"
Height: 2,40 m | 94.49"
Seating Height: 47,6 cm | 18.74"
-  154 kg | lbs
-  Unassembled
-  Tilted roof
Bicolor: Roof in one color and Seating element in another color (in same CAT)

BuzziBrella Focus



Frame powder coated metal in Black (RAL 9005) or White (RAL 9010)
3 tablets in Antwerp Oak



3 x USB 65W A+C USB fast charge

3 x LED Spot
1 x on/off switch included in metal frame
Input Voltage: 24V



Wattage: 3 x 4,8W
Lumen Output: 3 x 408lm
Efficacy: 85lm/W
Color Temperature: 4000K
Color Rendering Index: 82

Length: 2,40 m | 94.49"
Width: 2,40 m | 94.49"
Height: 2,40 m | 94.49"



Height Tablet on seating height: 75 cm | 29.53"
Height Tablet on standing height: 1,08 m | 42.52"
Height Low Panel: 1,5 m | 59.06"
Height High Panel: 1,8 m | 70.87"



Focus Low: 140 kg | 308.65 lbs Focus High: 143 kg | 315.26 lbs Focus Mix: 142 kg | 313.06 lbs



Unassembled

Tilted roof
Bicolor: Roof in one color and 3 panels in another color (in same CAT)



Choose the height of the tablets/panels

- High: 3 tablets on standing height (3 high panels)
- Low: 3 tablets on seating height (3 low panels)
- Mix: 2 tablets on seating height and 1 tablet on standing height (2 high panels and 1 low panel)

Components

Metal Frame



Powder coated metal frame in Black (RAL 9005) or White (RAL 9010)

LED Spot



3 x LED Spot
1 x on/off switch included in metal frame
Input Voltage: 24V
Wattage: 3 x 4,8W
Lumen Output: 3 x 408lm
Efficacy: 85lm/W
Color Temperature: 4000K
Color Rendering Index: 82

USB



3 x USB 65W A+C USB fast charge

Power Cord



Power Cord available for EU/US/UK

By default, the power cord exits from the bottom of the BuzziBrella.

The power cord can also exit from the top.

Panels



BuzziBrella Focus: Panel Height

Choose the height of the tablets/panels

- High: 3 tablets on standing height (3 high panels)
- Low: 3 tablets on seating height (3 low panels)
- Mix: 2 tablets on seating height and 1 tablet on standing height (2 high panels and 1 low panel)

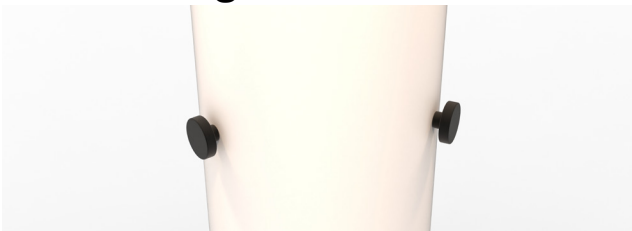
Tablets



BuzziBrella Focus: 3 Tablets included in Antwerp Oak

These solid wood tablet may contain knots, natural color variations and drying splits as normal features of the product. This contributes to the uniqueness of each tablet.

Cloth Hangers



BuzziBrella Chill: 3 cloth hangers in powder coated metal Black (RAL 9005) are included

Tilted Roof (Optional)



Option to have a tilted roof at 8°

Bicolor (Optional)

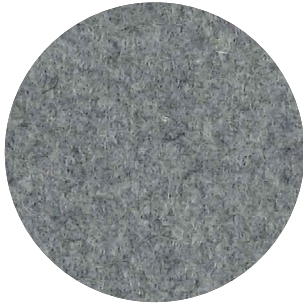


BuzziBrella Focus: Roof in one color and 3 panels in another color. (in same CAT)

BuzziBrella Chill: Roof in one color and seating element in another color. (in same CAT)

Fabrics

Fabric (45 colors)



Category A

Composition 70% Recycled Wool, 25% Recycled Polyacryl,
5% Recycled Other Fabrics

Weight 405 g/m² | 11.94 oz/yd²

Abrasion resistance 40.000 Martindale, 50,000 Wyzenbeek

Flammability EU: EN 1021.1/2006 | BS EN 1021.1/2006 (cigarette).
EN 1021.2/2006 | BS EN 1021.2/2006 (match)
USA: CAL TB 117 | ASTM E84 CLASS A

Fastness to light EU: 4 | USA 4

Fastness to rubbing EU: Wet 3-4 | Dry 4-5

Fastness to crocking USA: Wet 5 | Dry 5



Tonus 4 (47 colors)

kvadrat



Category D

Composition 90% new wool, 10% Helanca

Weight 665 g/lin.m

Abrasion resistance 100.000 Martindale rubs, EN ISO 12947

Flammability EN 1021-1/2 | BS 5852 part 1 | DIN 4102 B2
Önorm B1/Q1 | NF D 60 013 | UNI 9175 11M
US Cal. Bull. 117-2013 | NFPA 260 | IMO A.652 (16)

Fastness to light Note 5-7, ISO 105-B02

Fastness to rubbing (ISO) dry 3-5, wet 3-5

Pilling Note 3, EN ISO 12945



Finishes

Wood

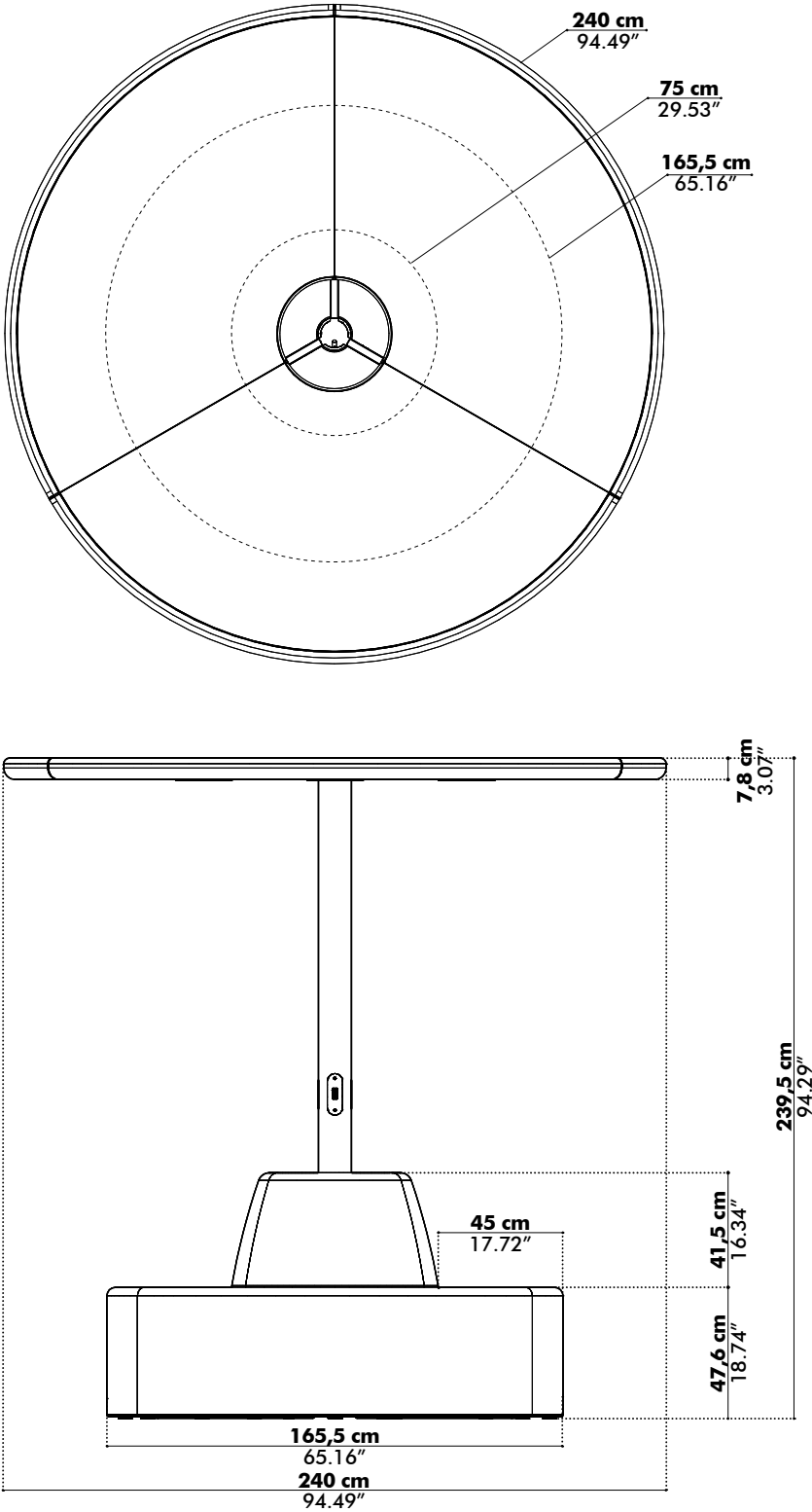
Tablet



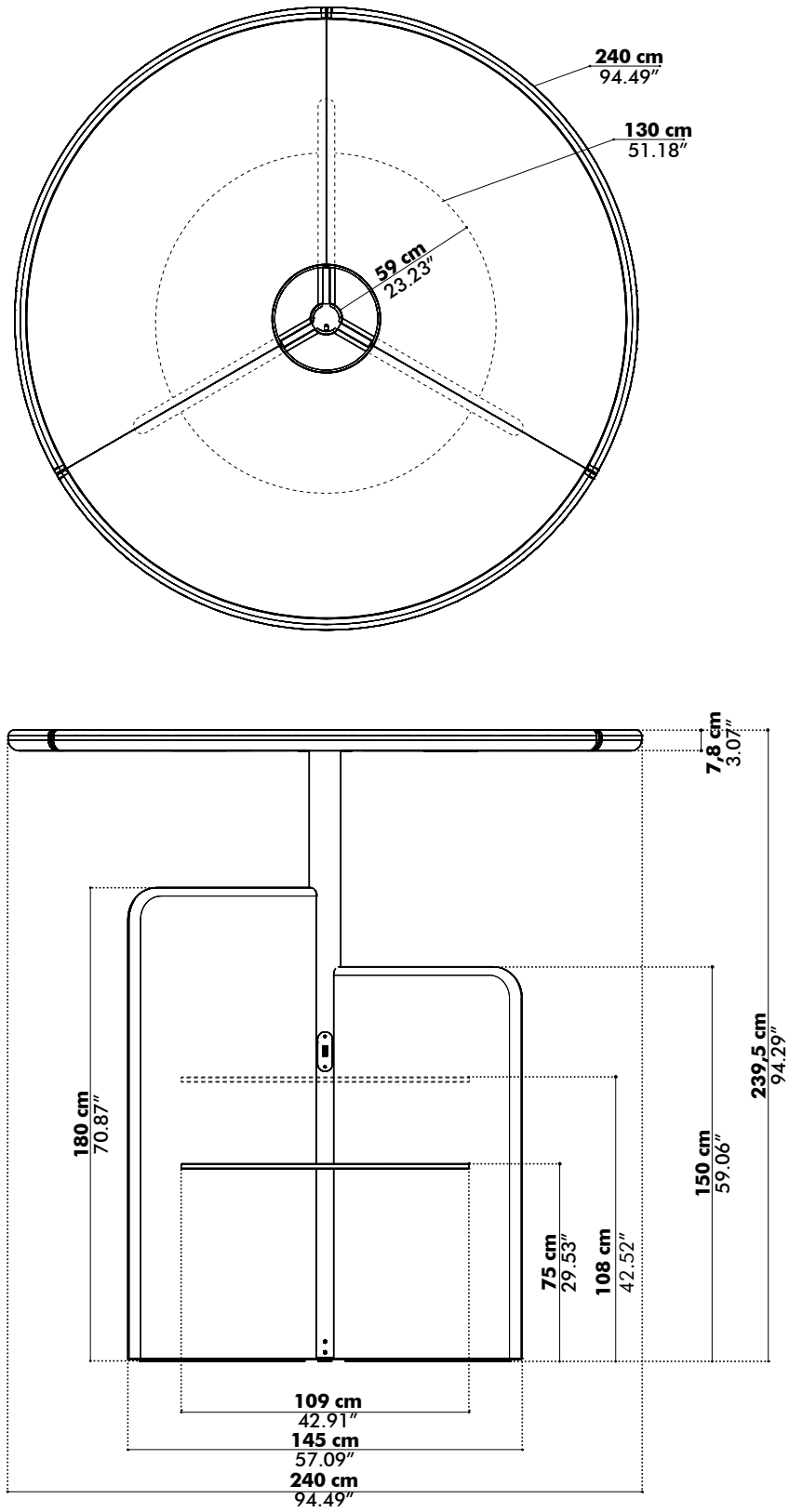
Antwerp Oak

Dimensions

BuzziBrella Chill



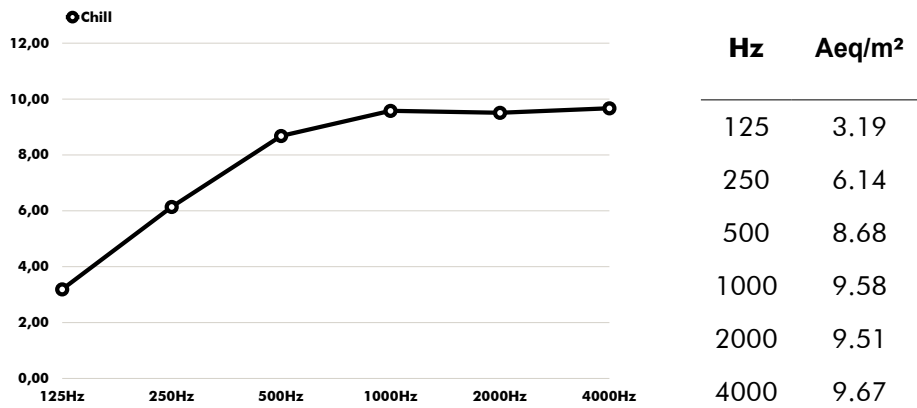
BuzziBrella Focus



Acoustics

BuzziBrella Chill

Equivalent sound absorption area in m² per object



BuzziBrella Focus

Equivalent sound absorption area in m² per object

