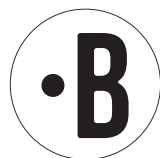
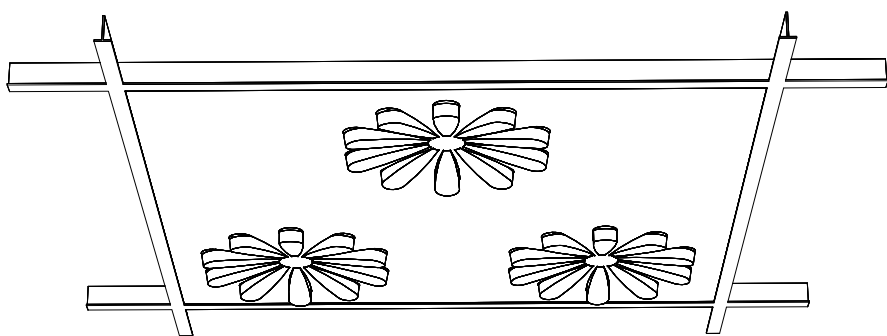


BuzziCloud

INSTALLATION MANUAL



Note

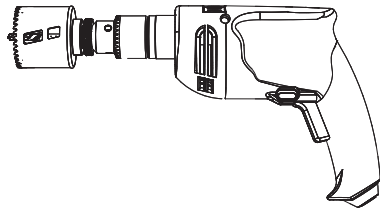
BuzziCloud is a Grid Ceiling Tile.

No tools required. Simply place the ceiling tile onto the existing T15 or T24 grid system for a quick and effortless installation.

Before installing the grid ceiling tiles, make sure the grid is installed in compliance with local building codes, follows the manufacturer's specifications, is level and square.

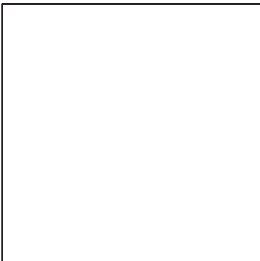
PET Felt features natural color variation. For optimal visual consistency, install tiles in the same orientation.

Excluded

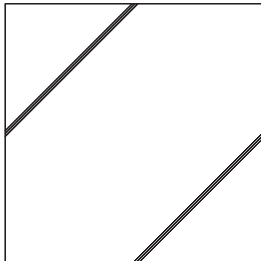


Included (separately)

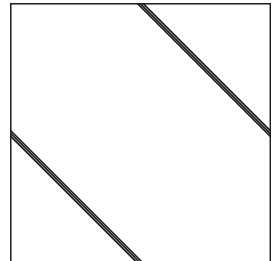
Plain



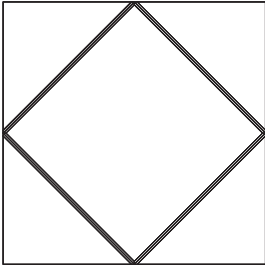
Parallel Up



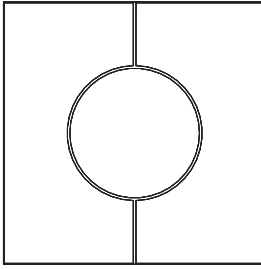
Parallel Down



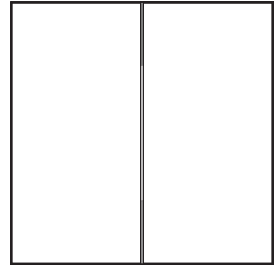
Geo



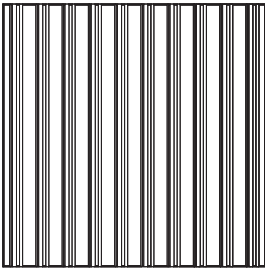
Cosmos



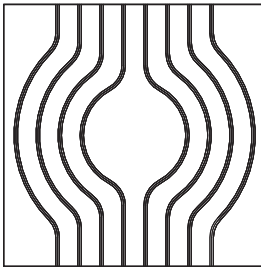
Abacus



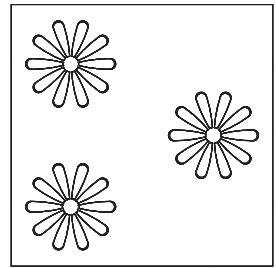
Rib



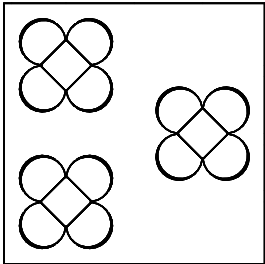
Maze



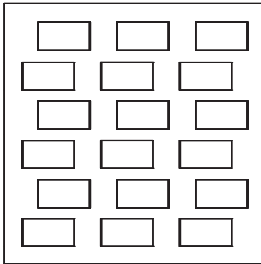
Daisy



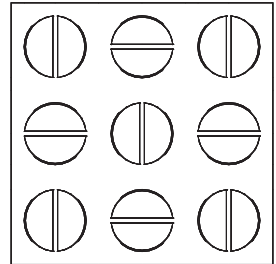
Poppy



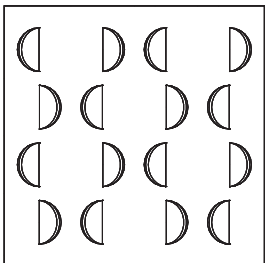
Fence

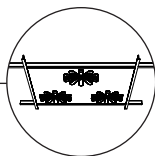


Luna



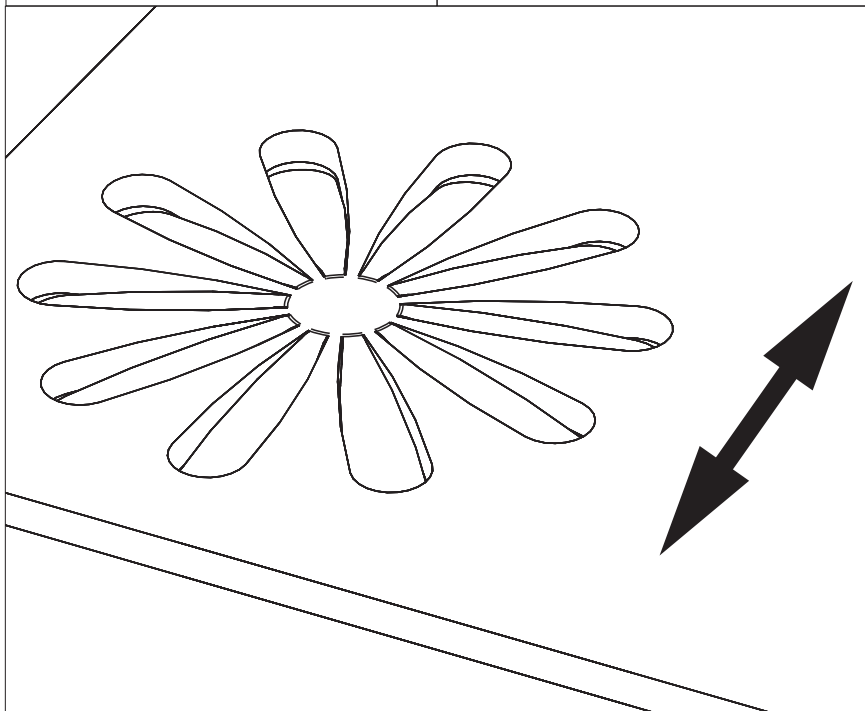
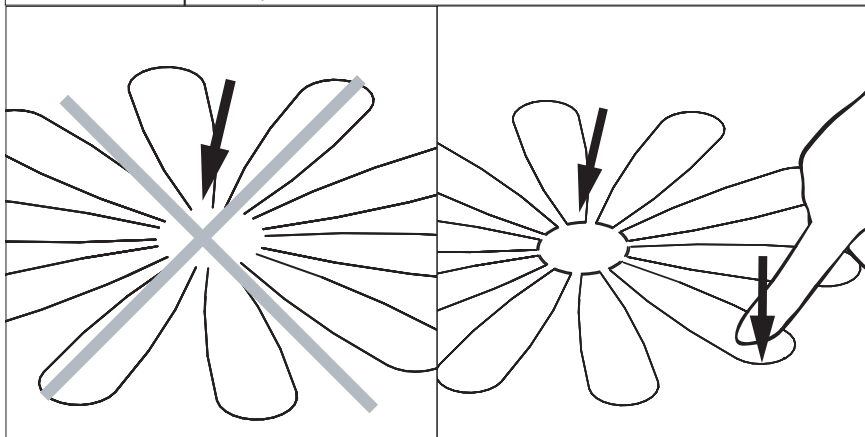
Bean



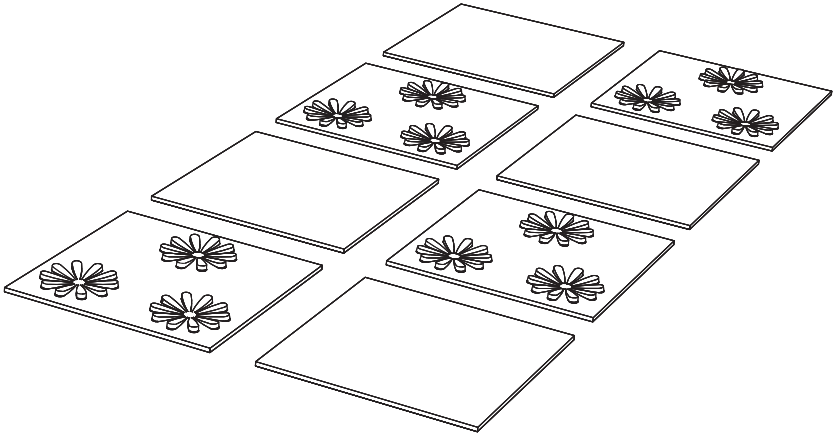


1 PERS.

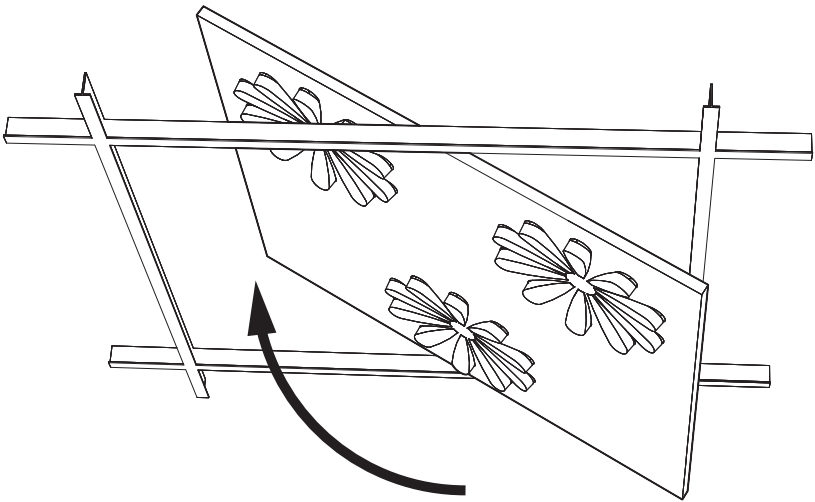
- 1** Punch out on the correct side.
This is the side where the cut is visible and the sticker with an arrow is pasted.



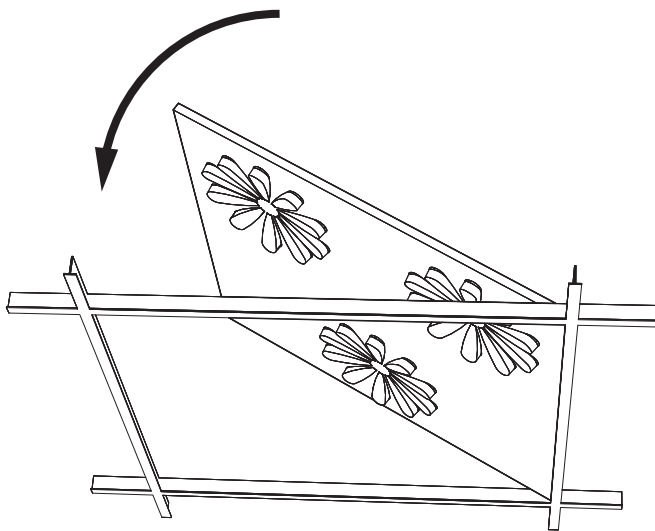
2



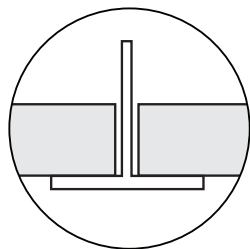
3



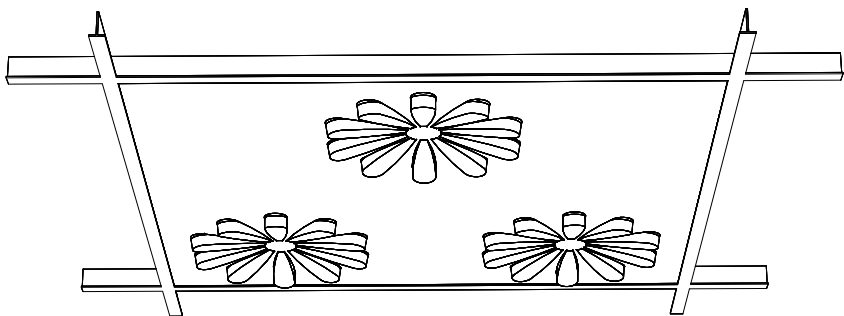
4



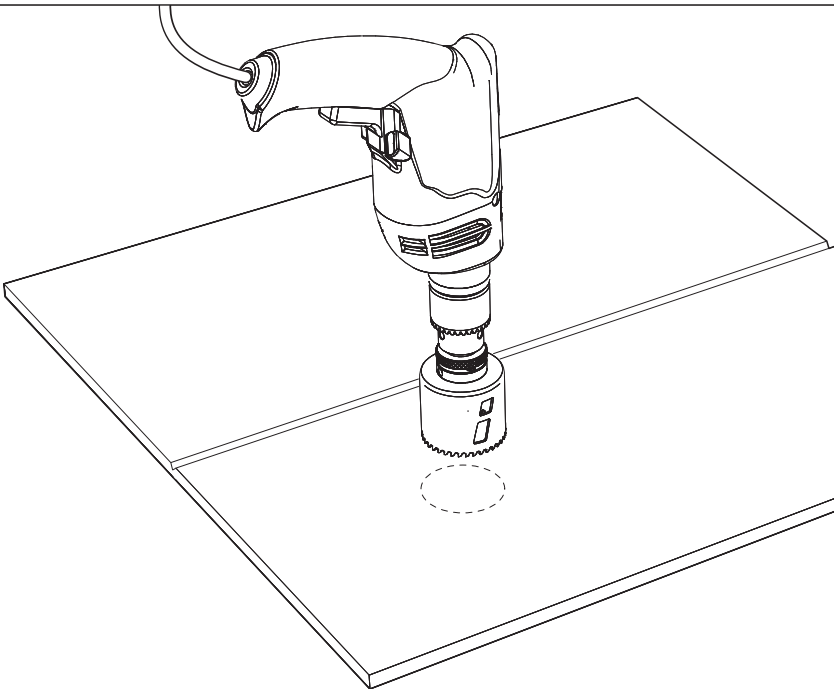
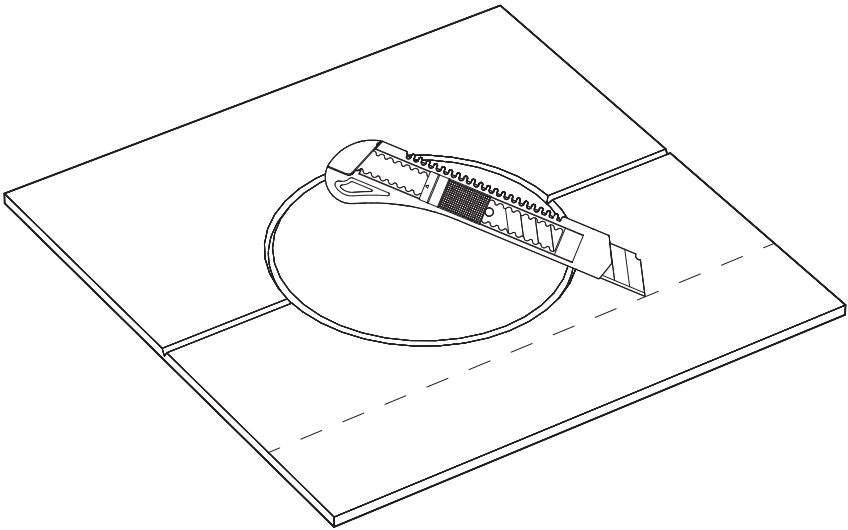
5



**Panel rests on the
T-shaped grid**



!



BuzziSpace Group NV
Italiëlei 8, 2000 Antwerp
Belgium

☎ +32 (0)3 846 10 00

✉ info@buzzi.space

🌐 www.buzzi.space



Doc nr.: A-0000008175
Last update: 13/05/2026