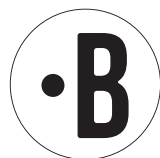
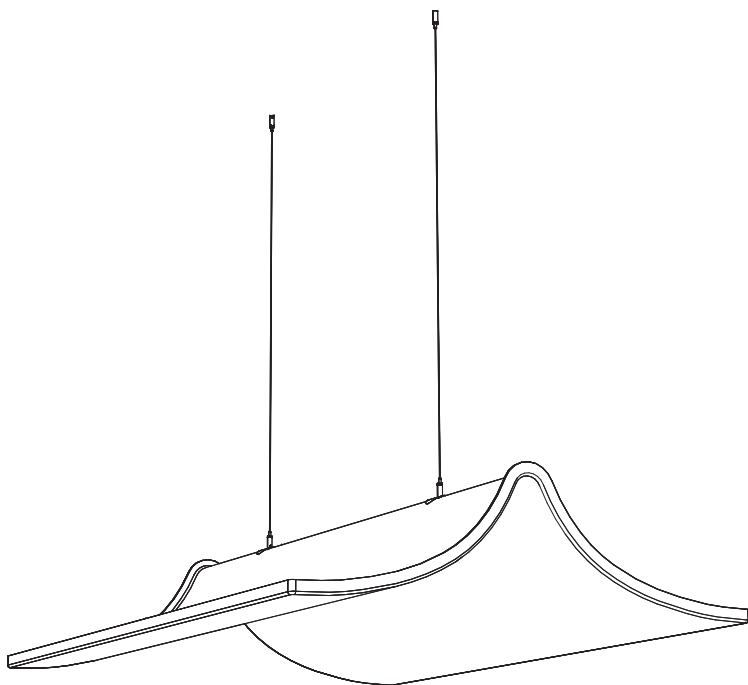


BuzziTent

INSTALLATION MANUAL



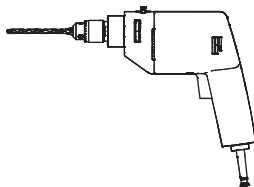
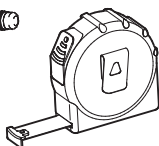
BuzziTent

2 PERS. 

Excluded



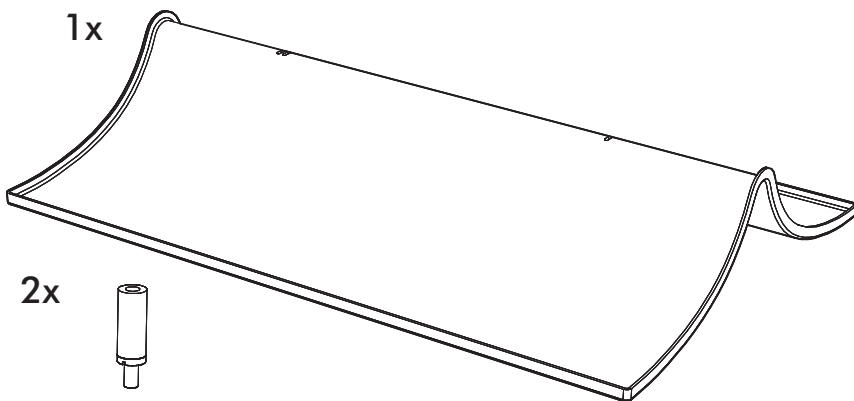
2x 



Included BuzziTent

p.4

1x



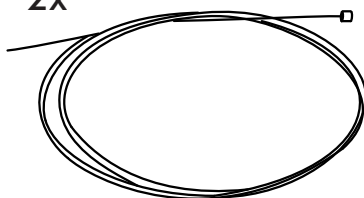
2x



2x



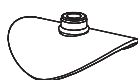
2x



2x



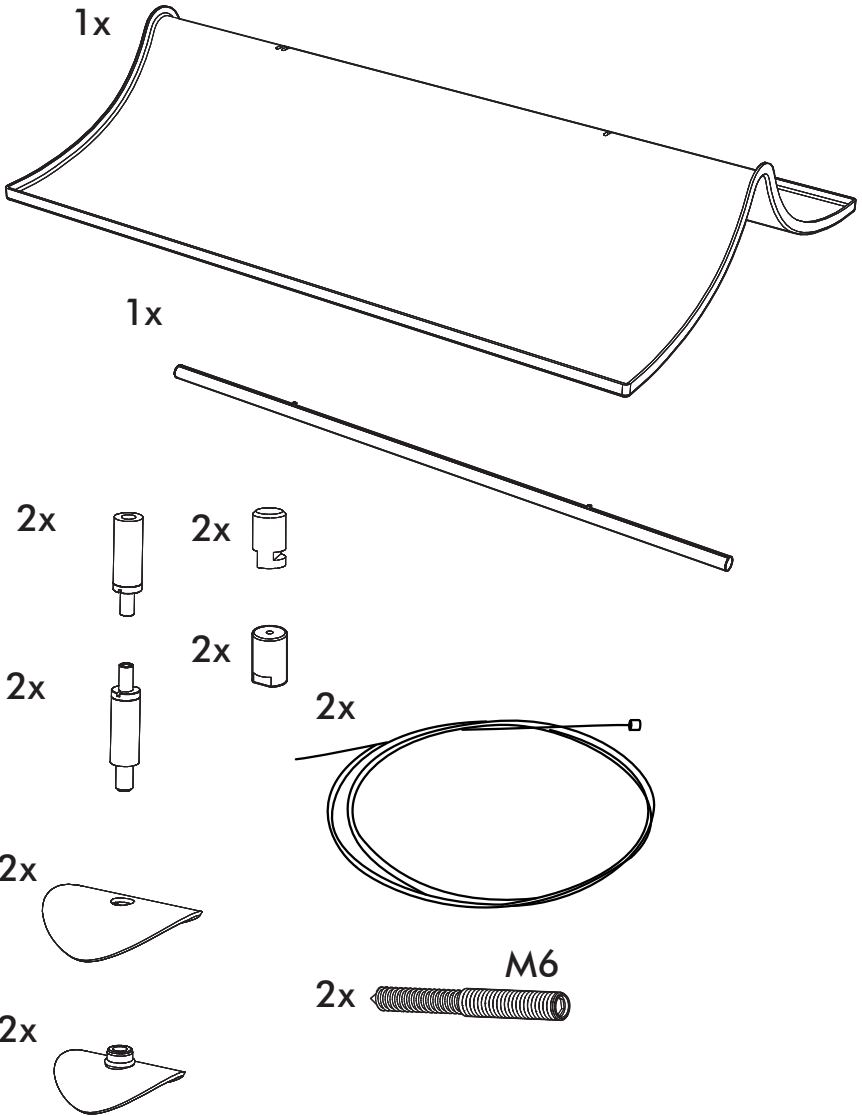
2x

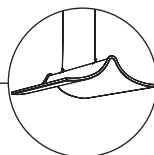


2x

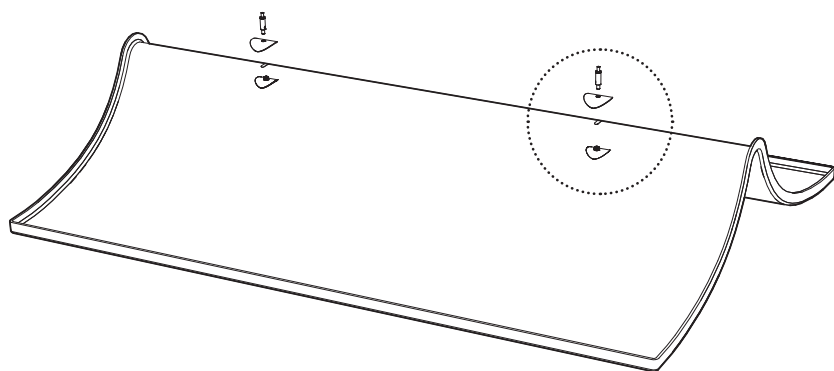
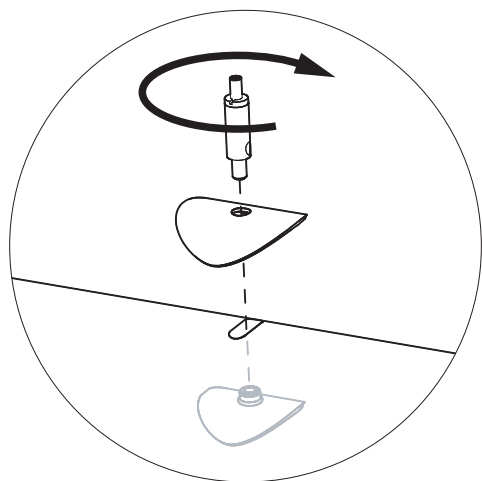
M6



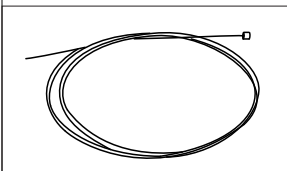
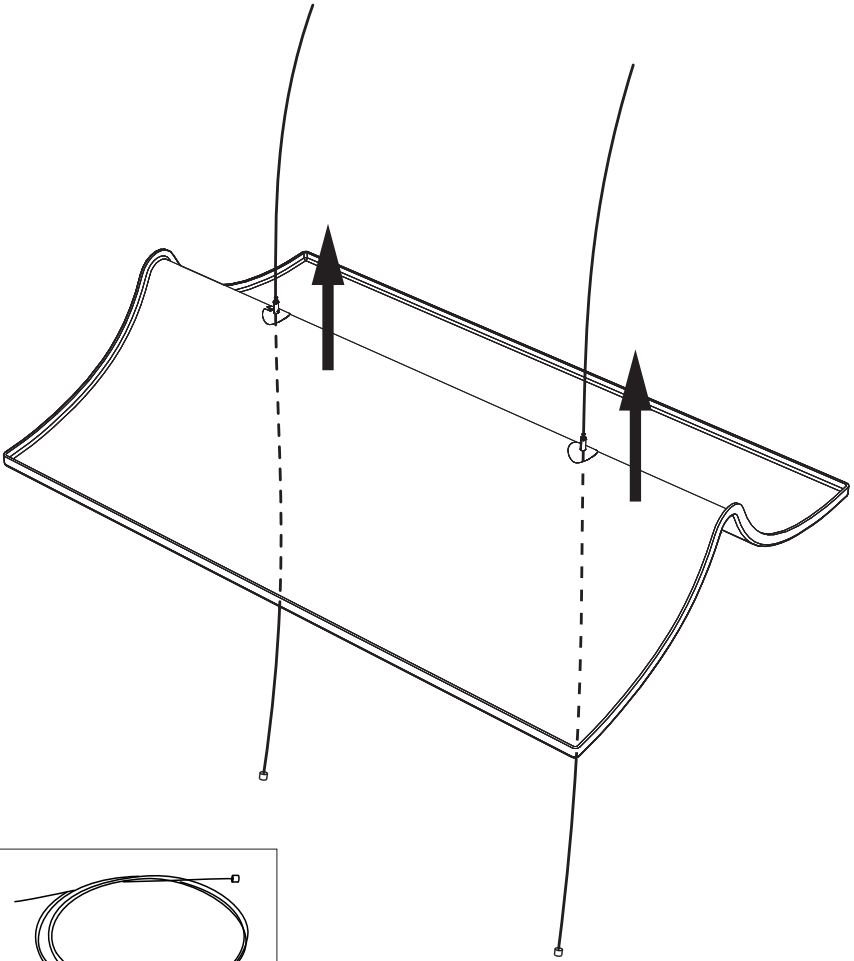
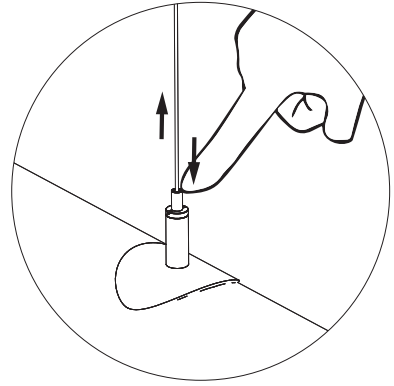




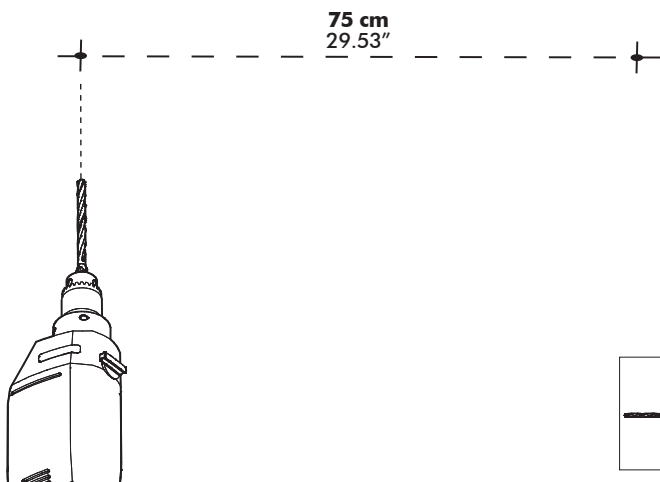
1



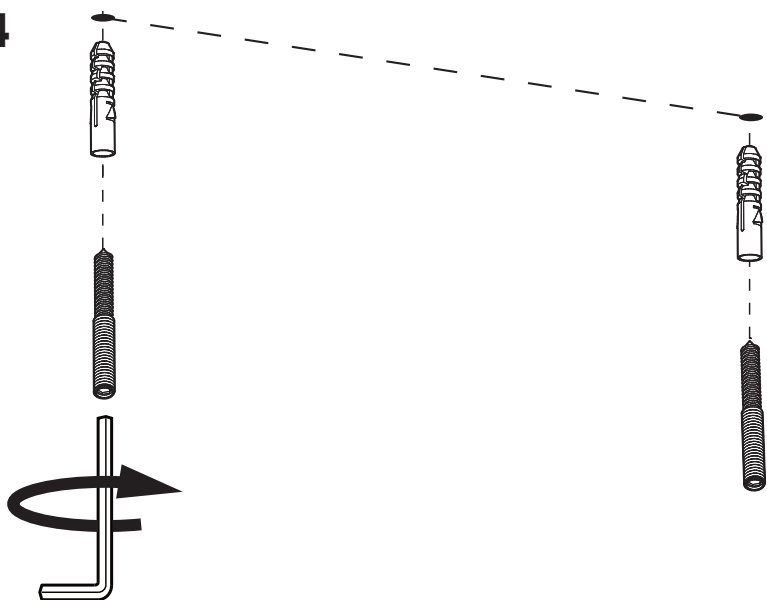
2



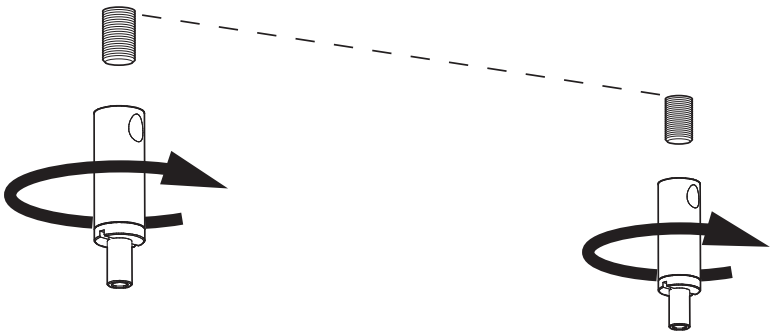
3



4

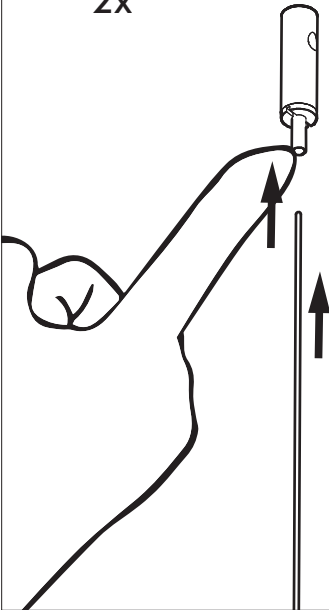


5

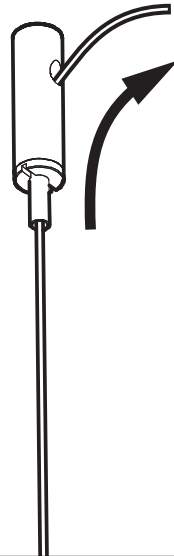


6

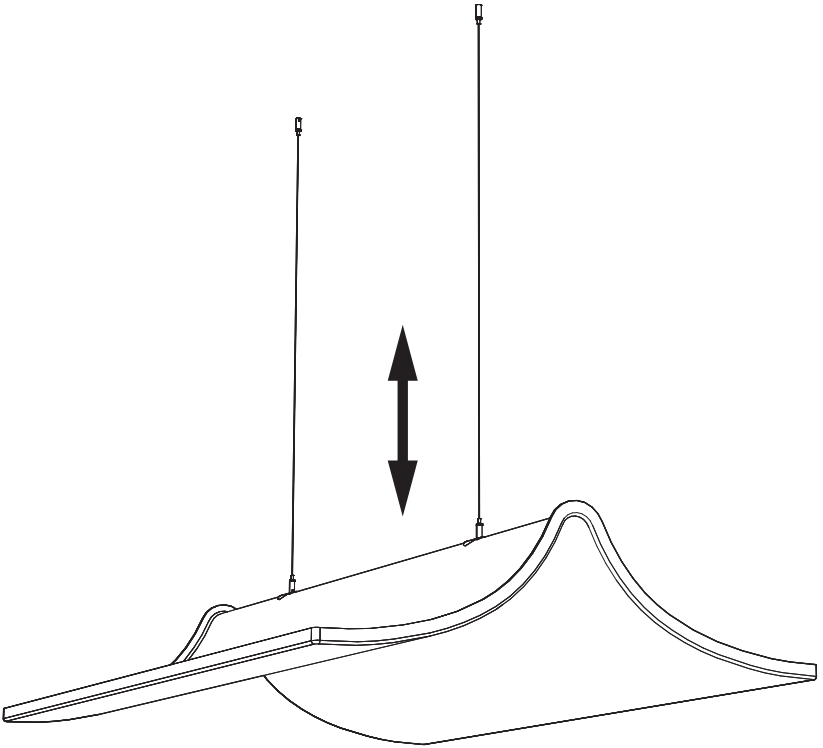
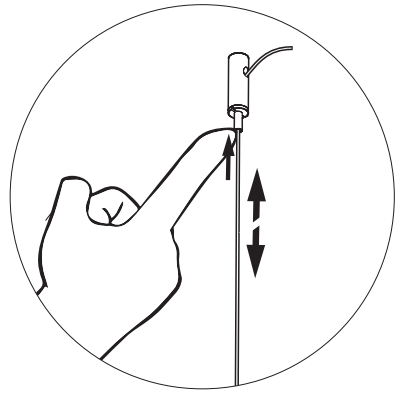
2x



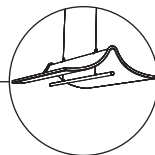
2x



!

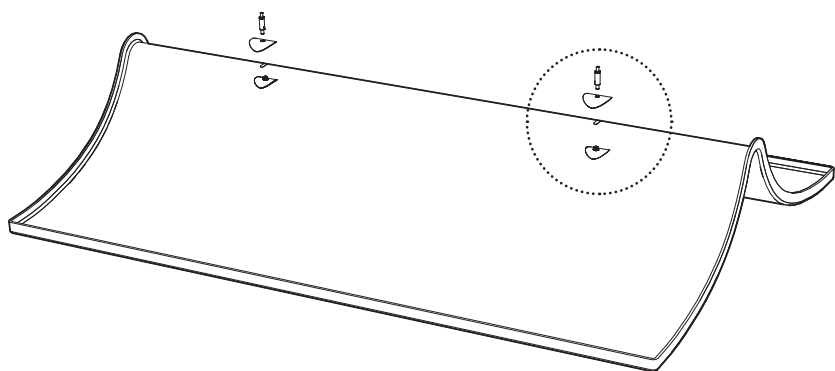
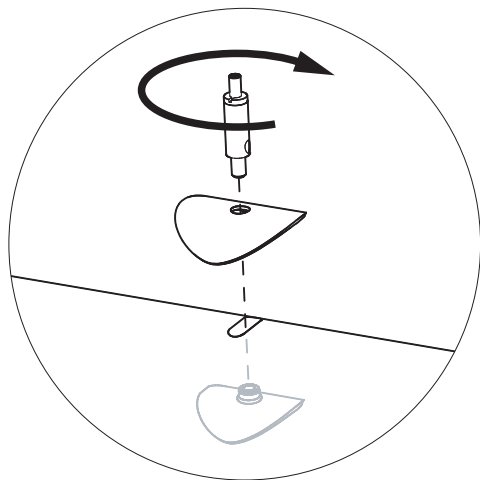


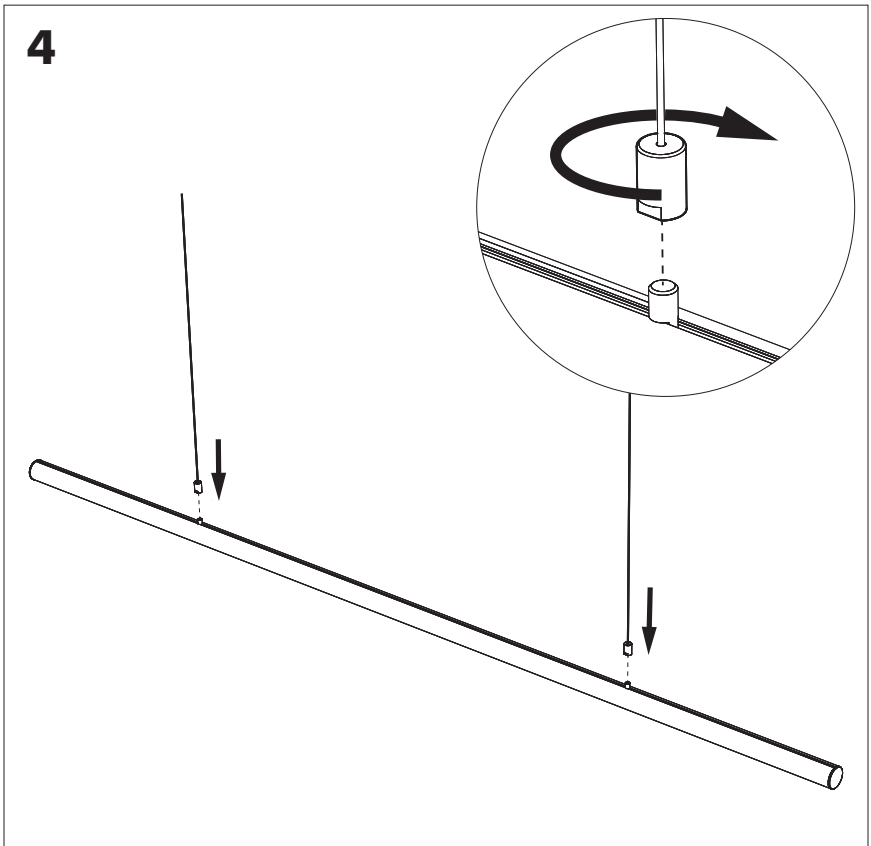
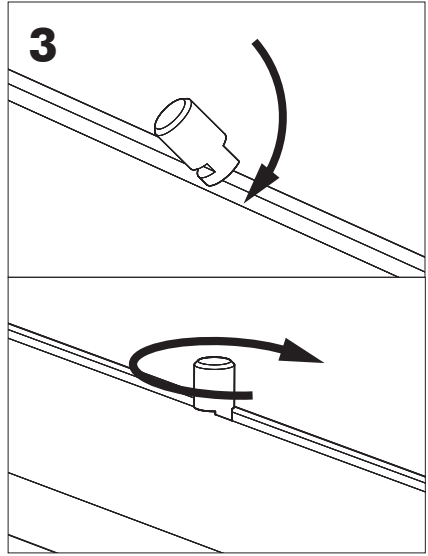
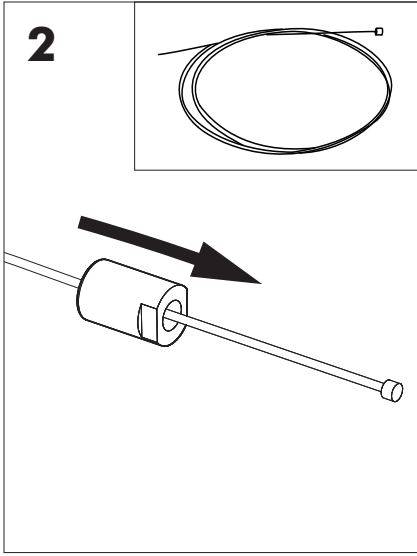
BuzziTent with optional Deco Ridge



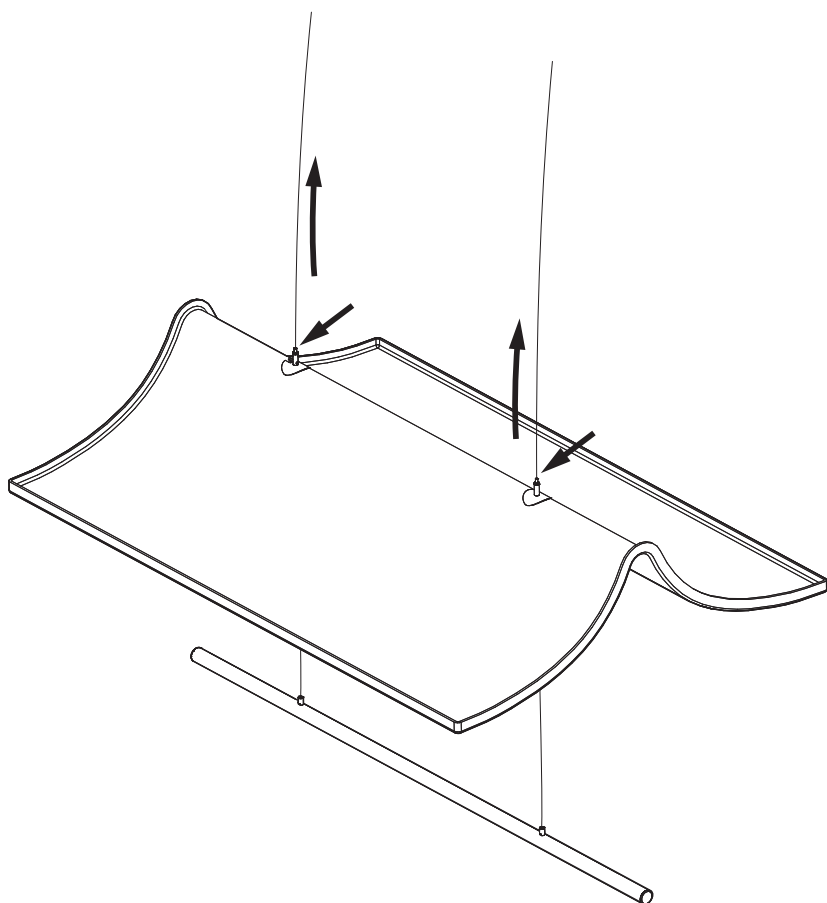
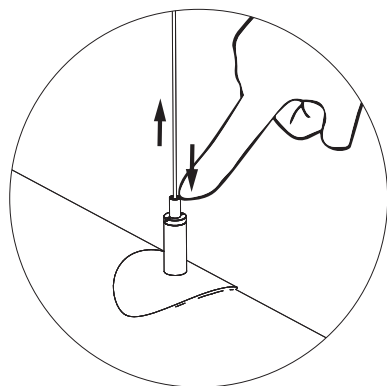
2 PERS. 

1



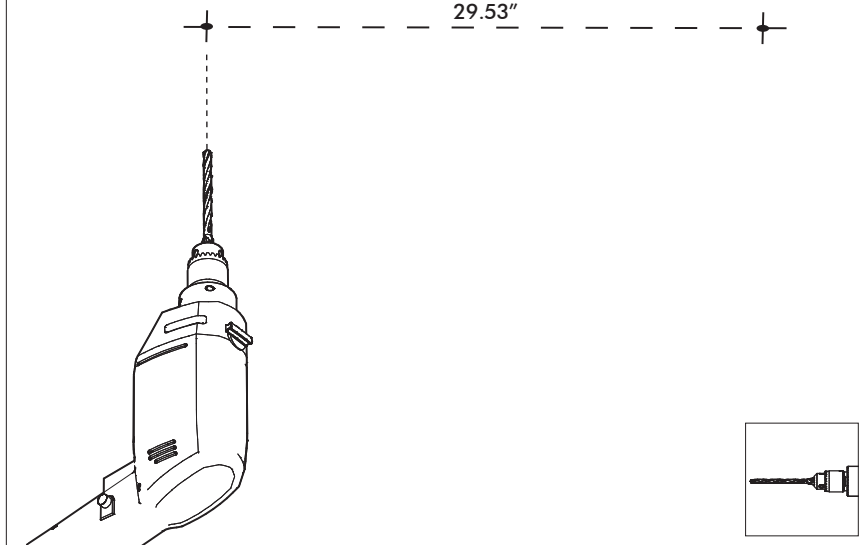


5

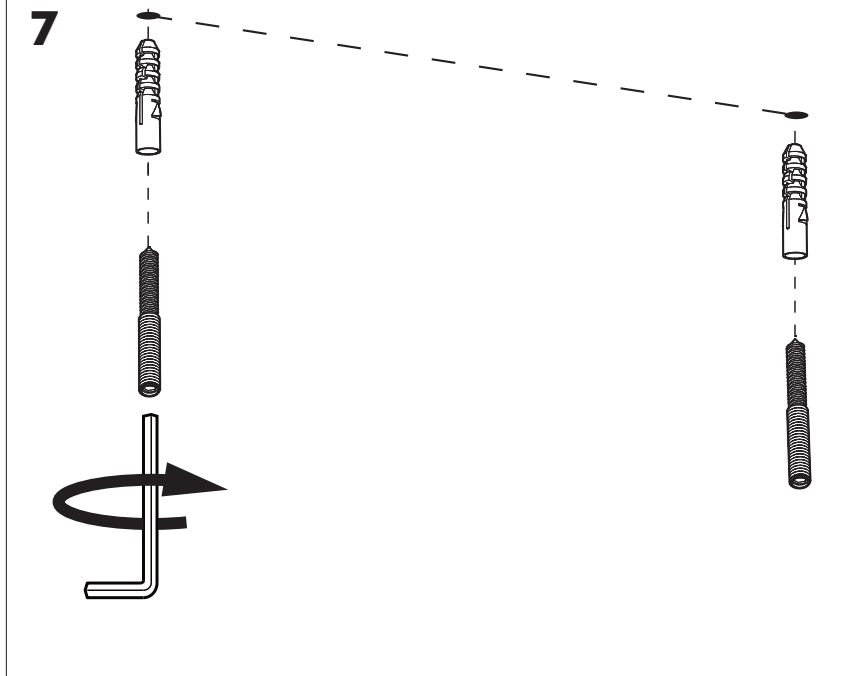


6

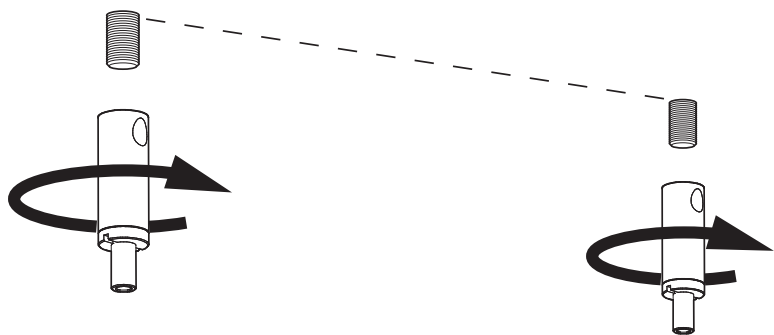
75 cm
29.53"



7

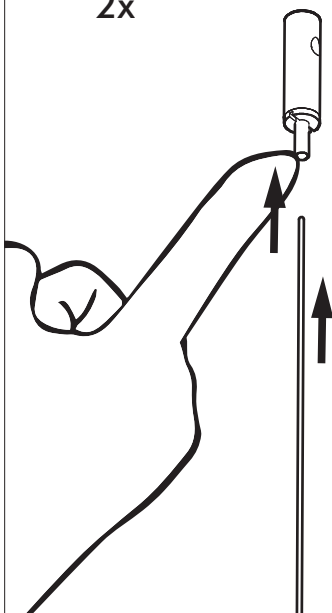


7

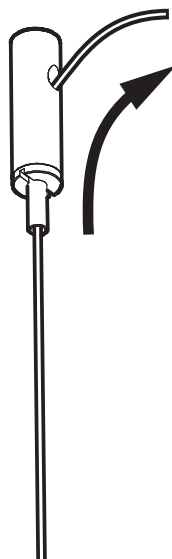


8

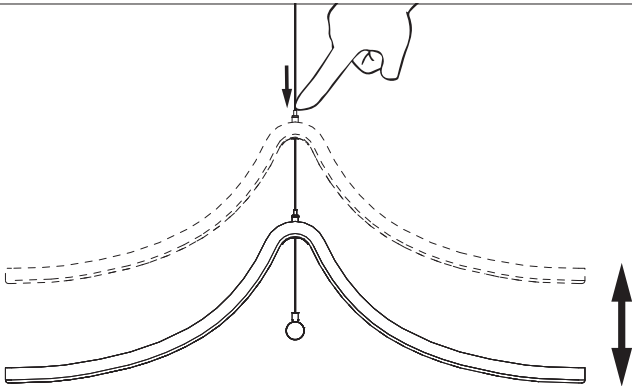
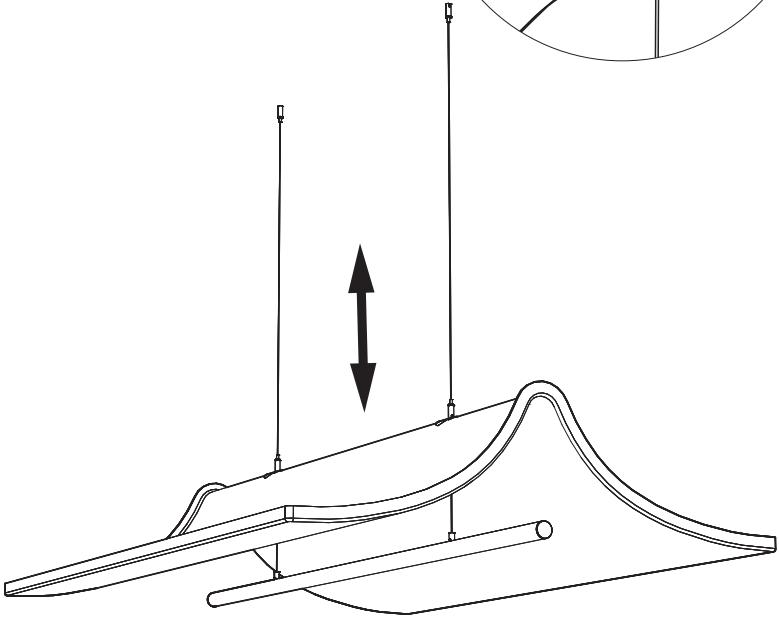
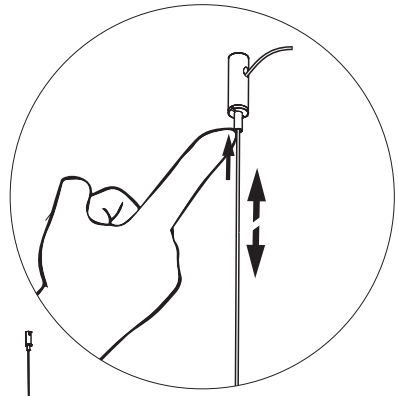
2x



2x



!



BuzziSpace Group NV
Italiëlei 8, 2000 Antwerp
Belgium

☎ +32 (0)3 846 10 00

✉ info@buzzi.space

🌐 www.buzzi.space



Doc nr.: A-000008193
Last update: 05/06/2026