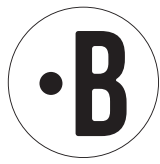
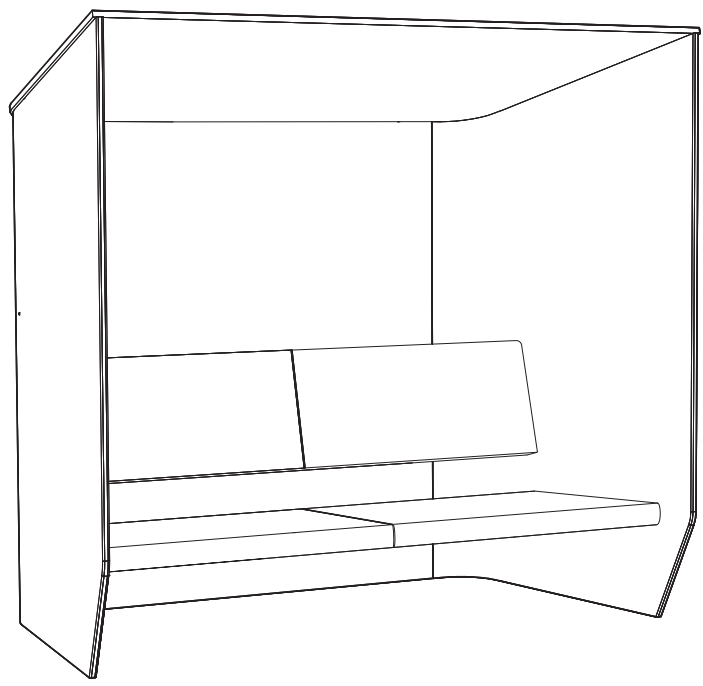


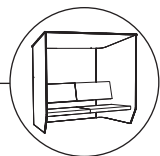
BuzziHub

INSTALLATION MANUAL

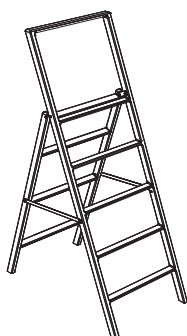


BuzziHub

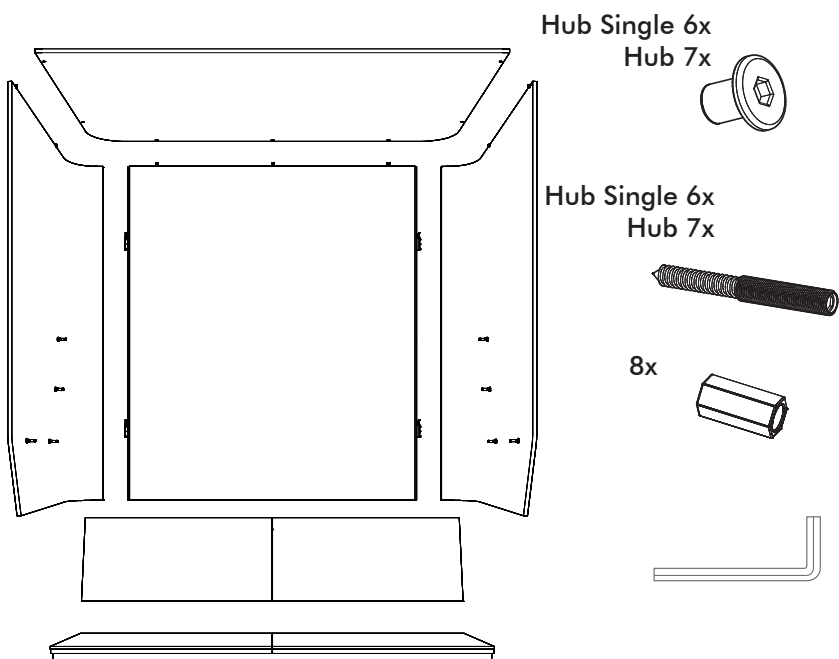
3 PERS. 



Excluded



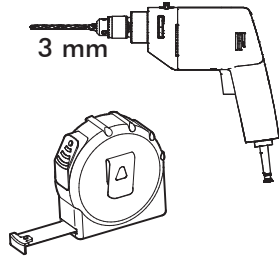
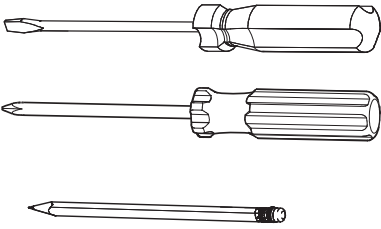
Included



Optional BackLight

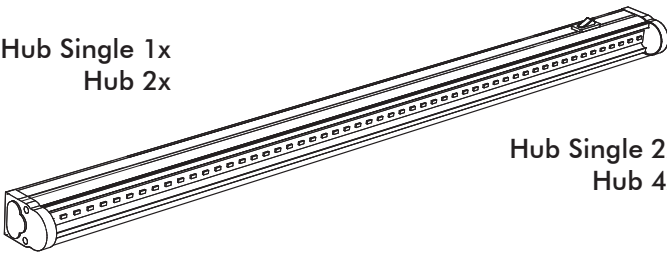


Excluded



Included

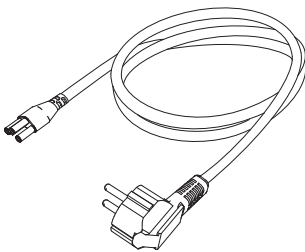
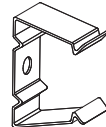
Hub Single 1x
Hub 2x



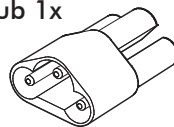
Hub Single 2x
Hub 4x



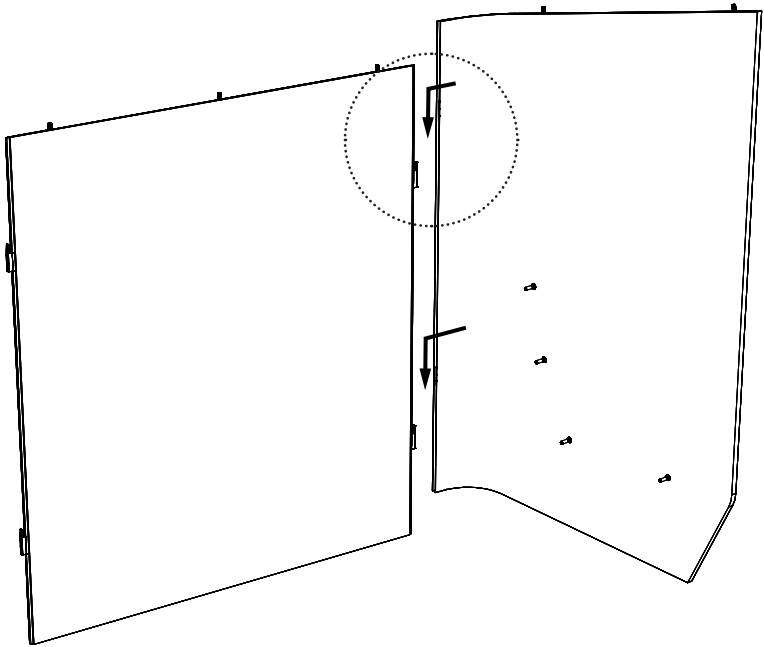
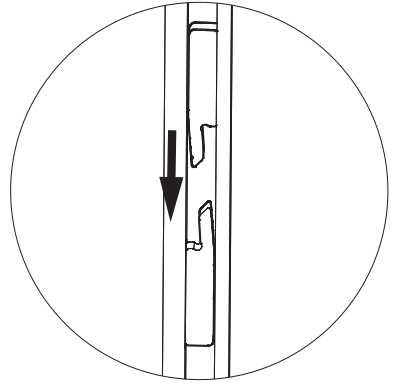
Hub Single 2x
Hub 4x



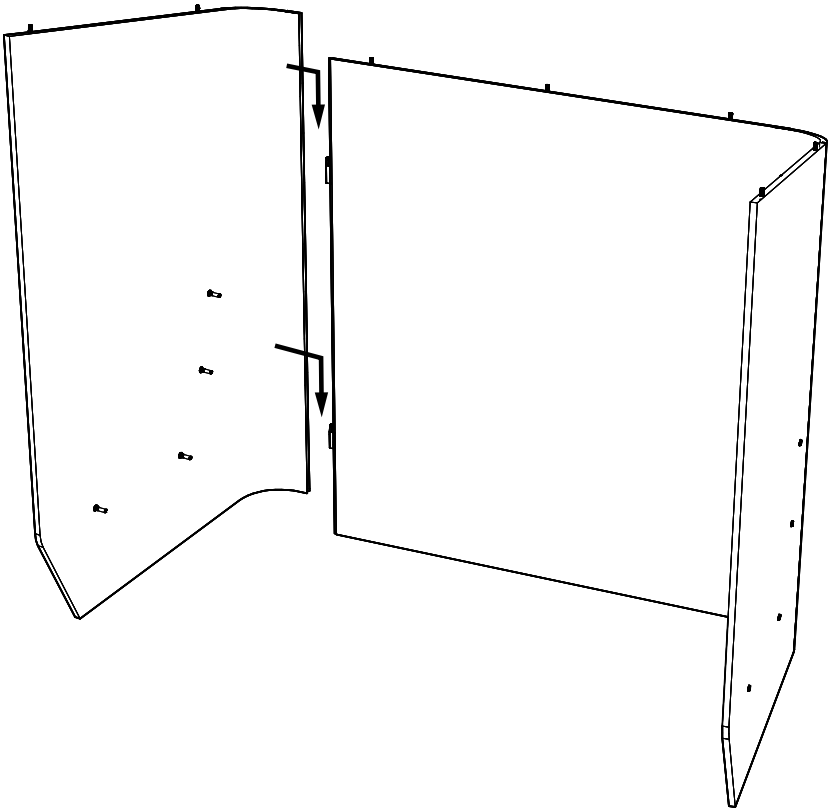
Hub 1x



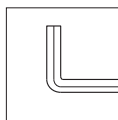
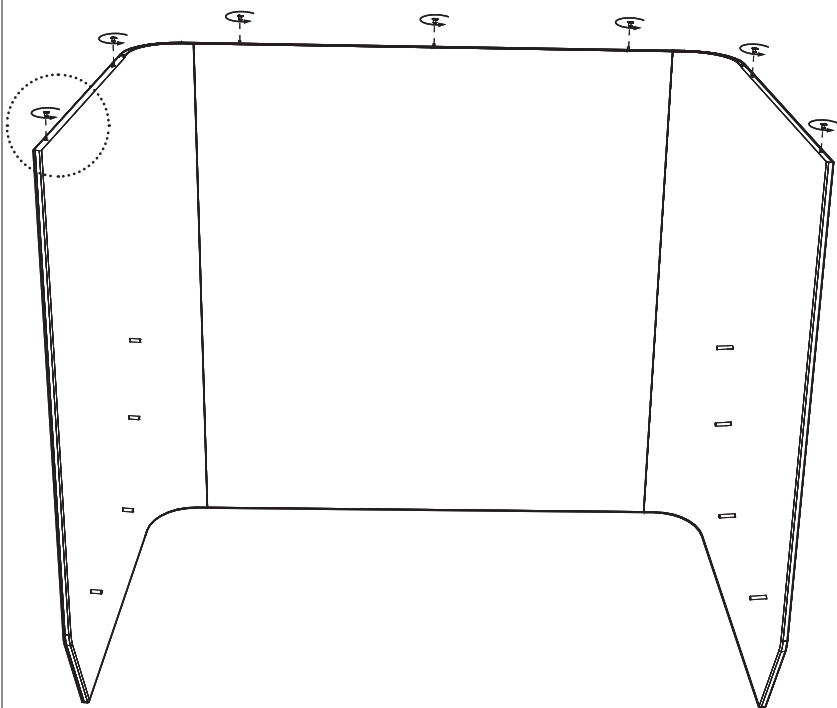
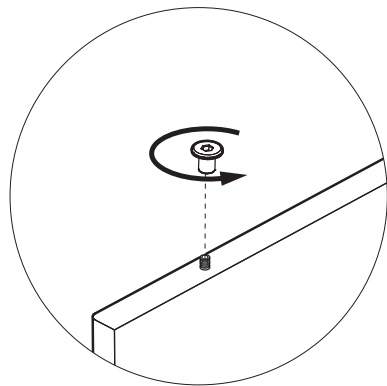
1



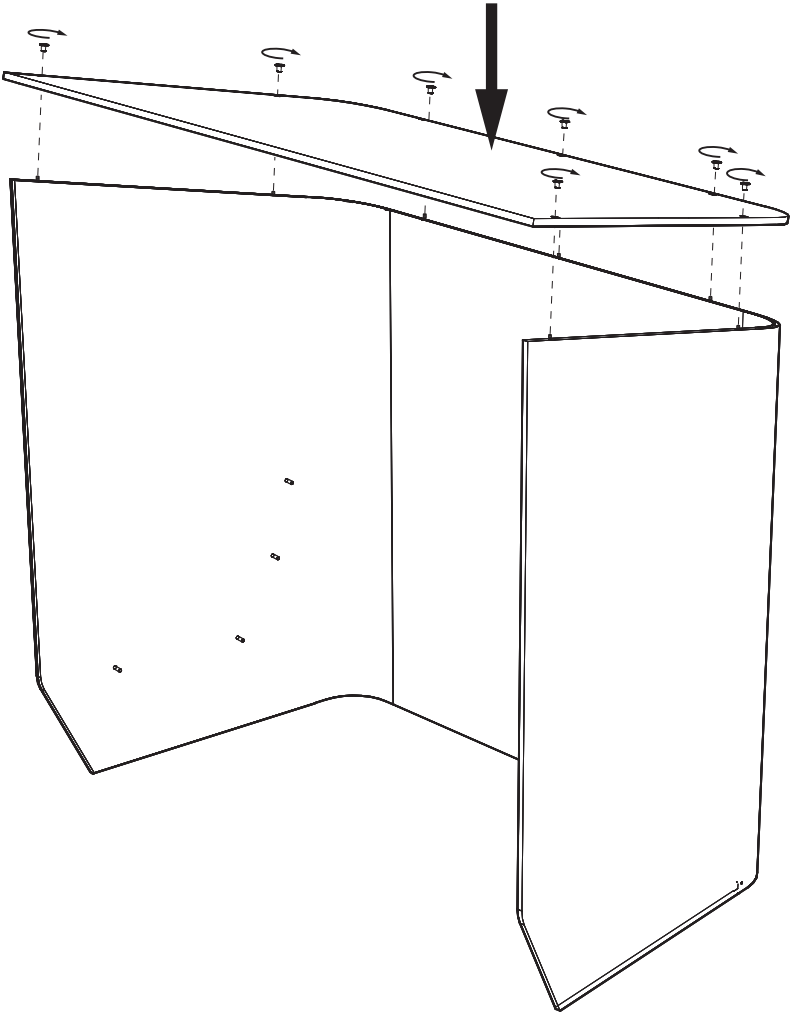
2



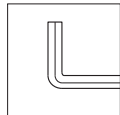
3



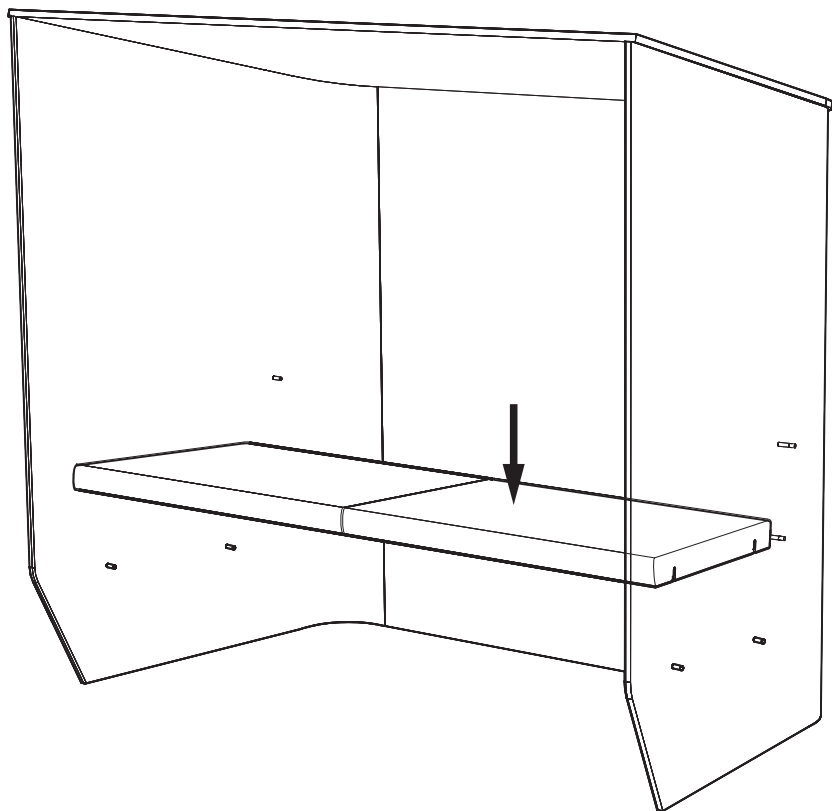
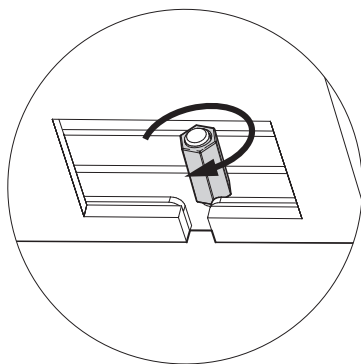
4



Hub Single 6x
Hub 7x



5



4x

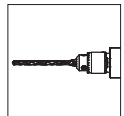
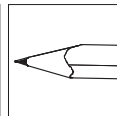
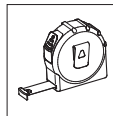
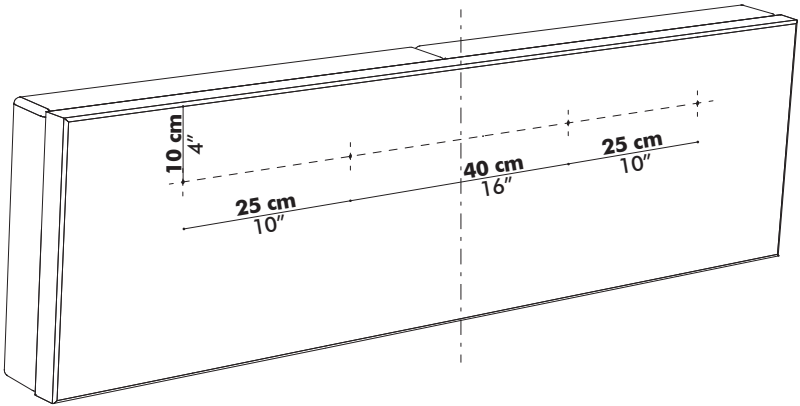
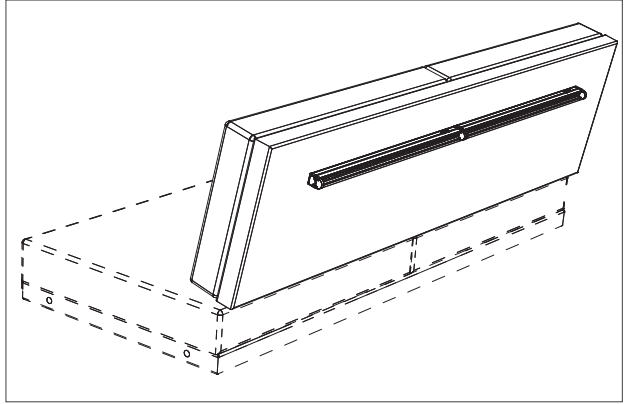


Optional BackLight

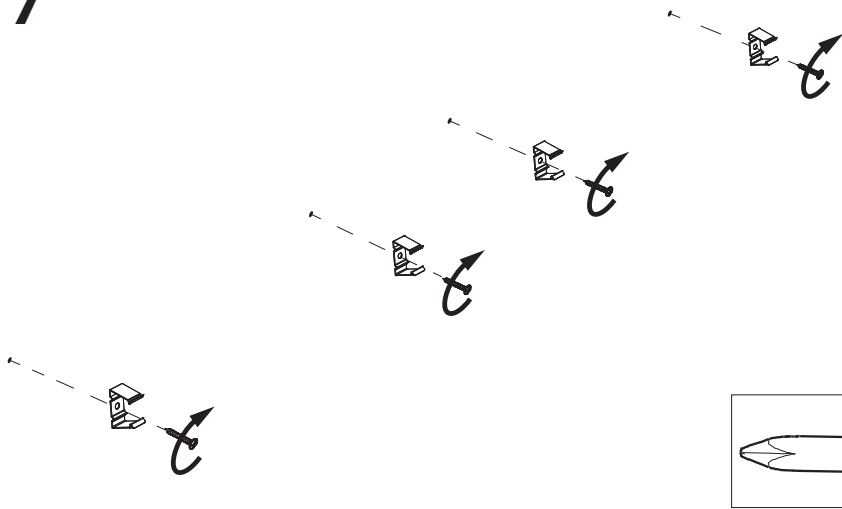
1 PERS. 



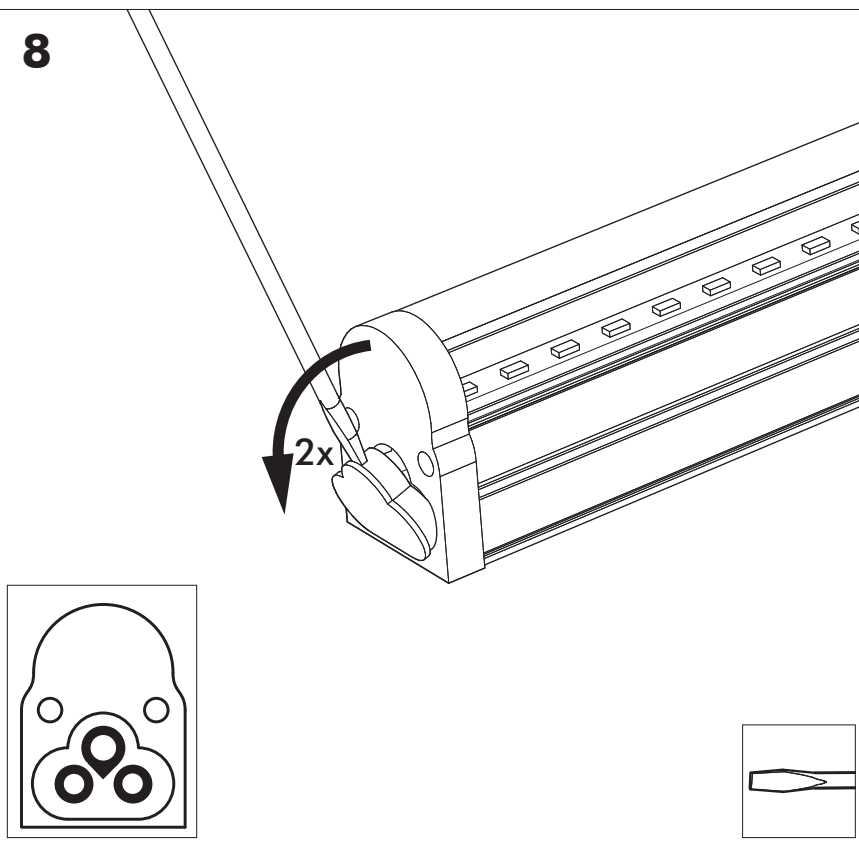
6

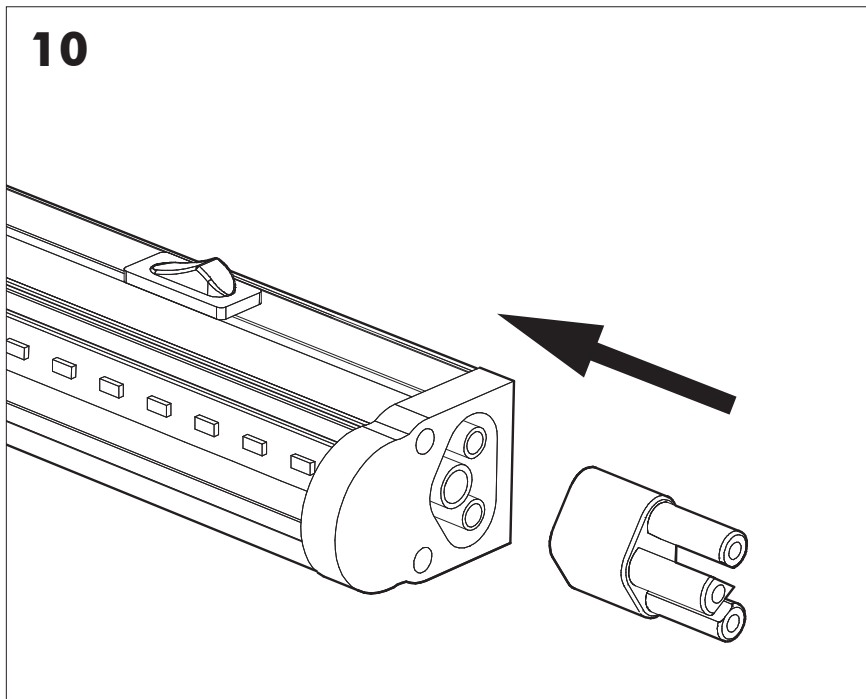
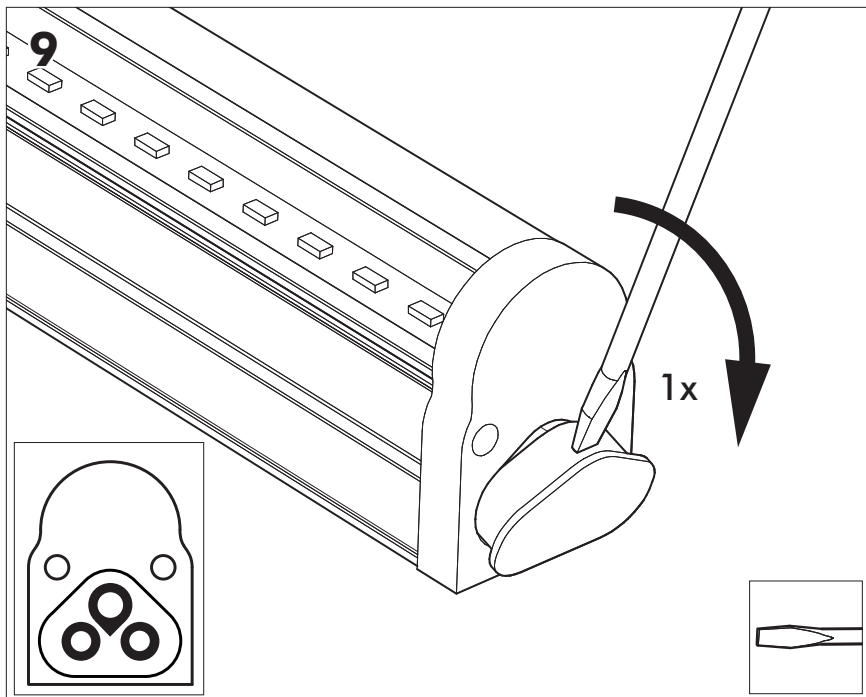


7

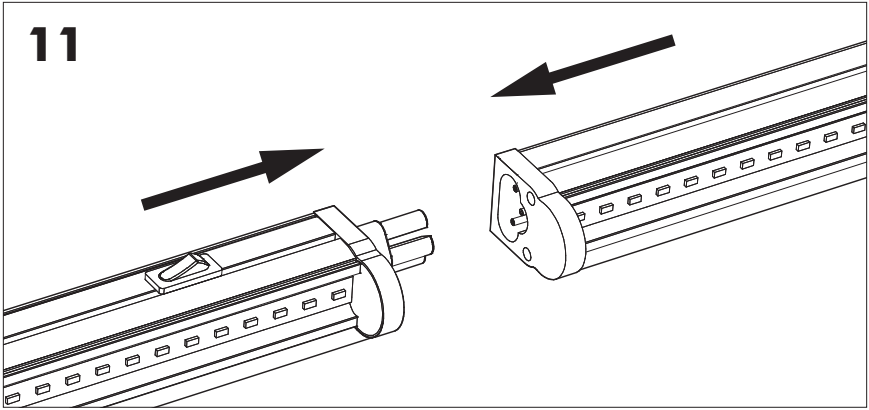


8



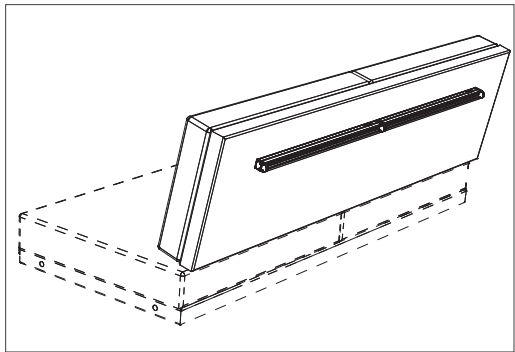
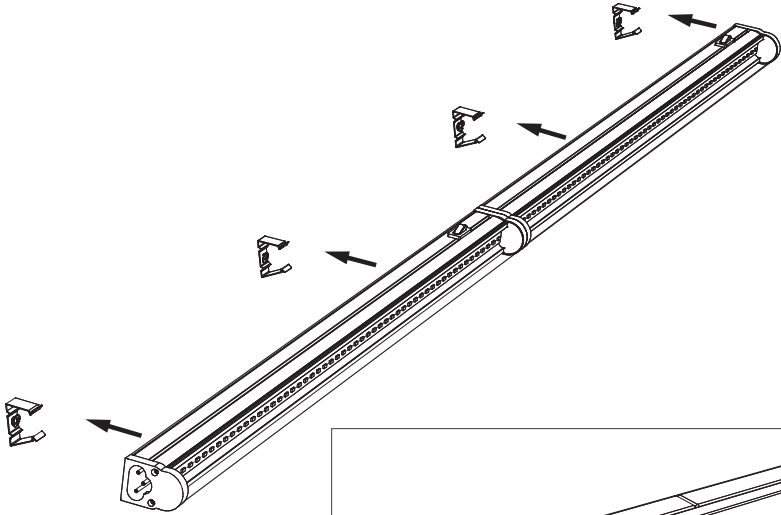
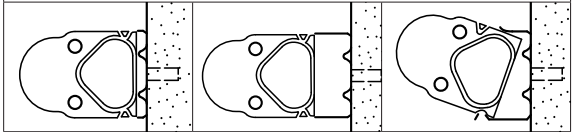


11

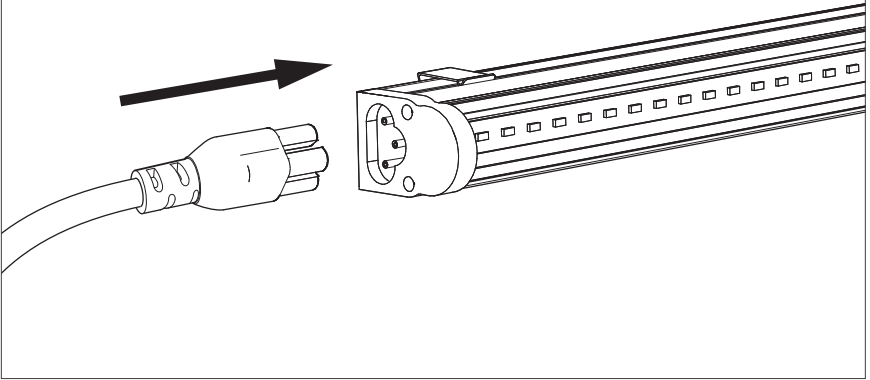


12

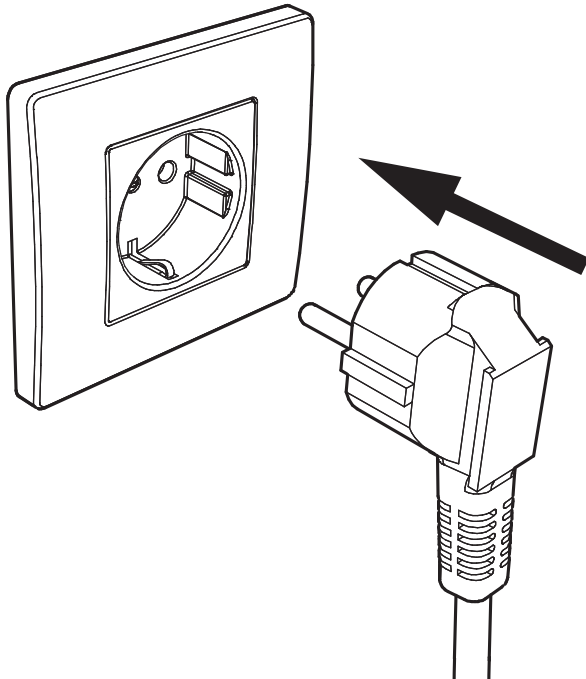
3 mounting options



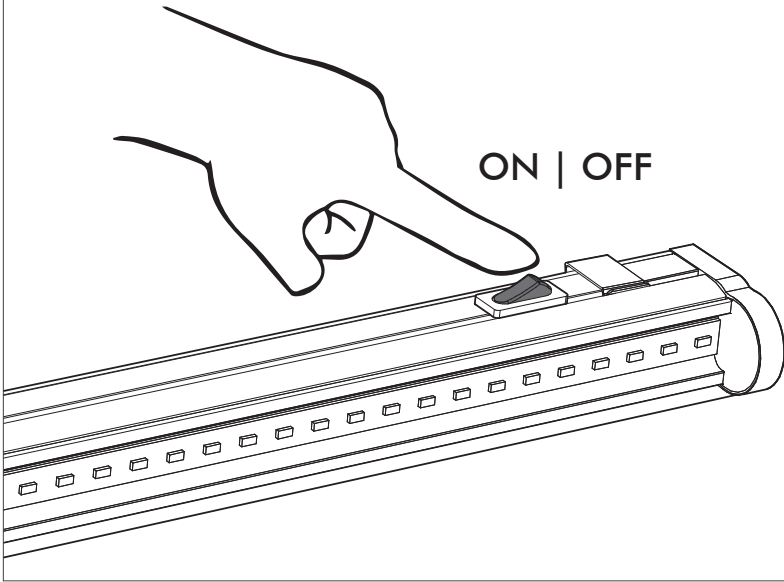
13



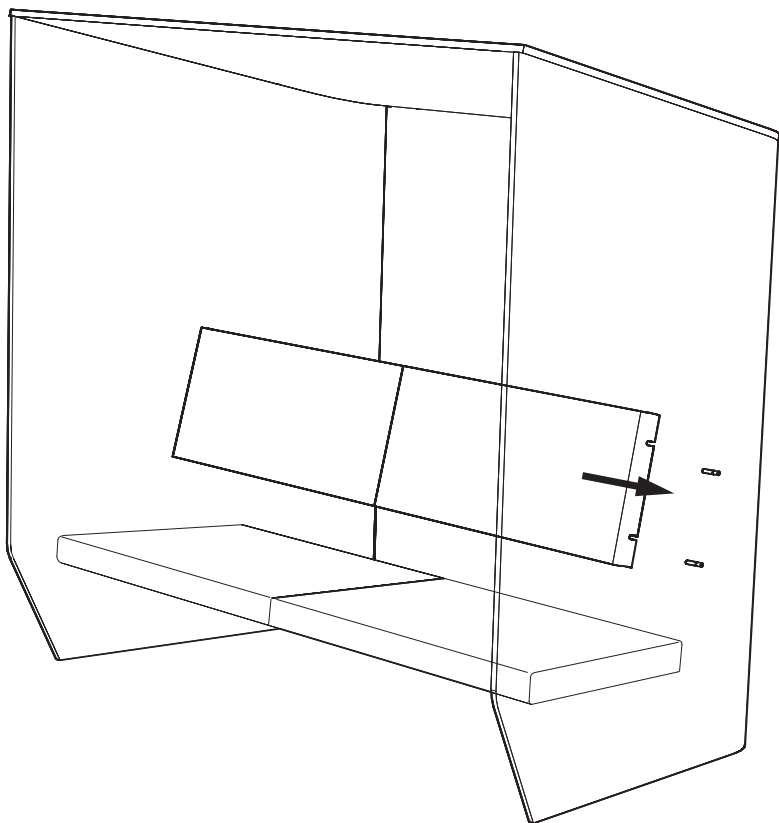
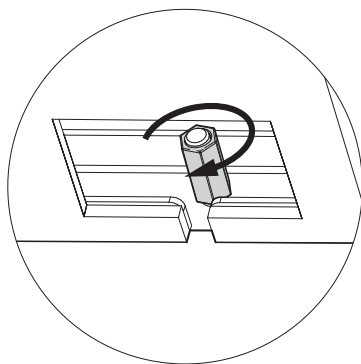
14



15



16



4x



BuzziSpace Group NV
Italiëlei 8, 2000 Antwerp
Belgium

☎ +32 (0)3 846 10 00

✉ info@buzzi.space

🌐 www.buzzi.space



Doc nr.: A-0000002320/03

Last update: 11/06/2026