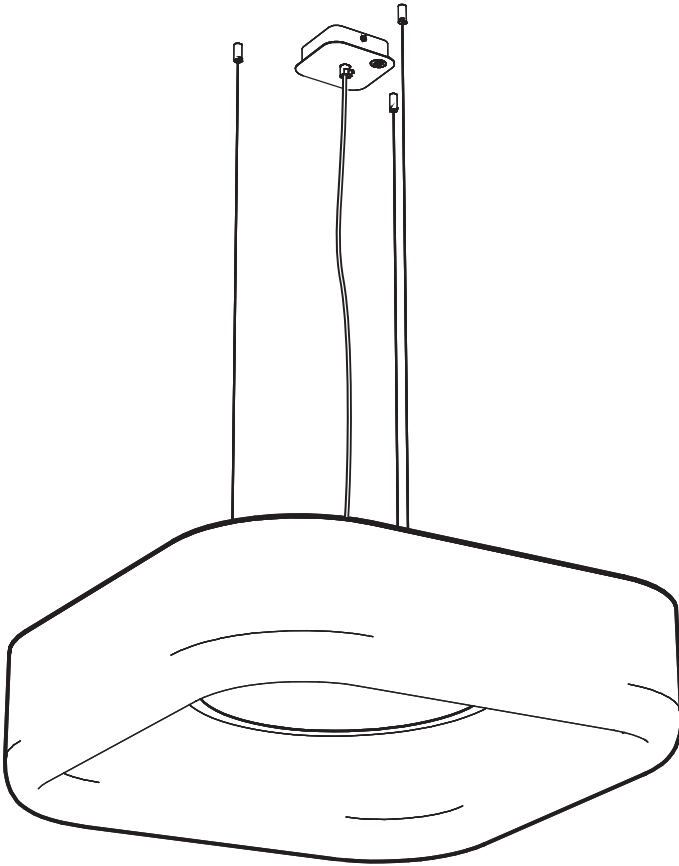
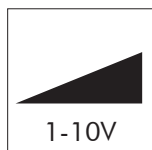
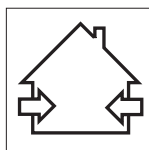


BuzziJet Square Ceiling Suspended S|M
Ceiling Mounted S|M

INSTALLATION MANUAL
MODE DE L'EMPLOI
120V-277V



Technical info

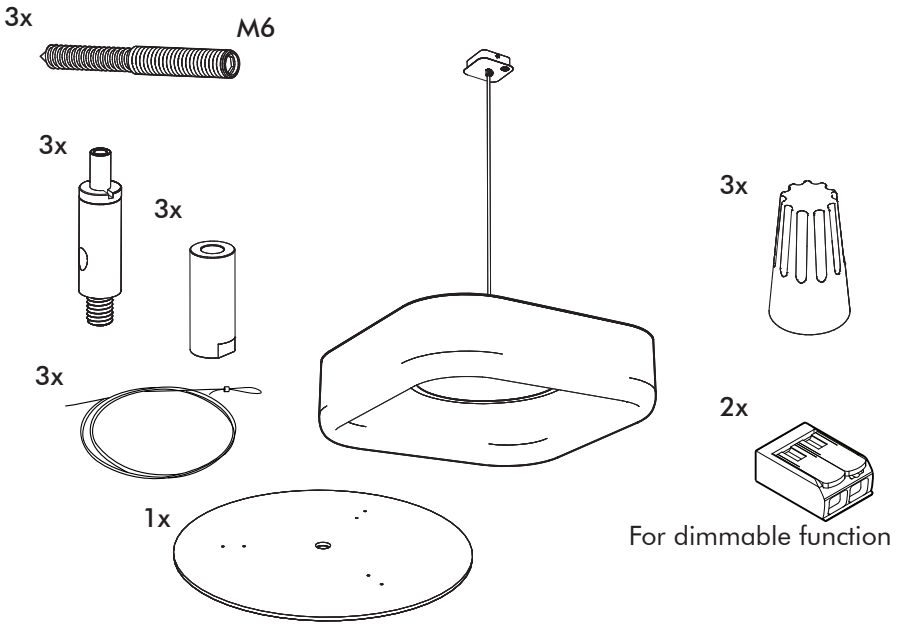


OR

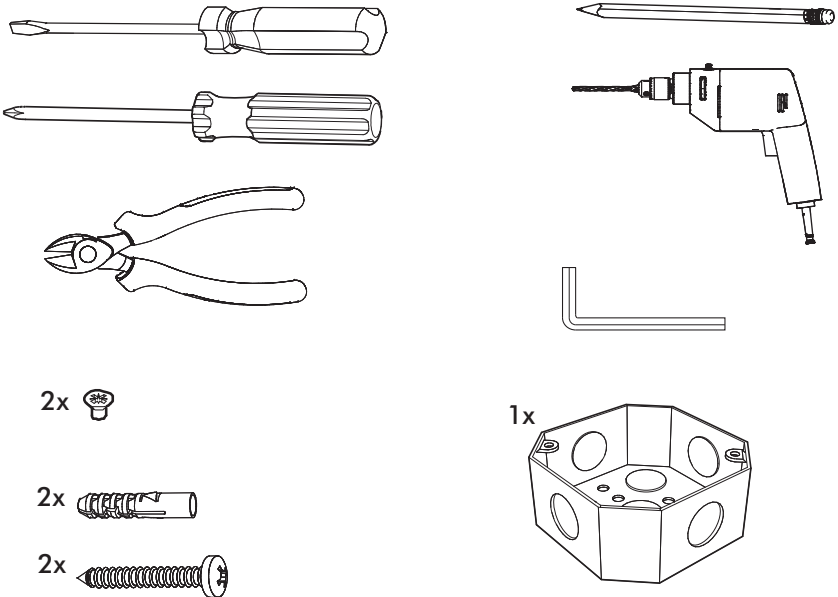


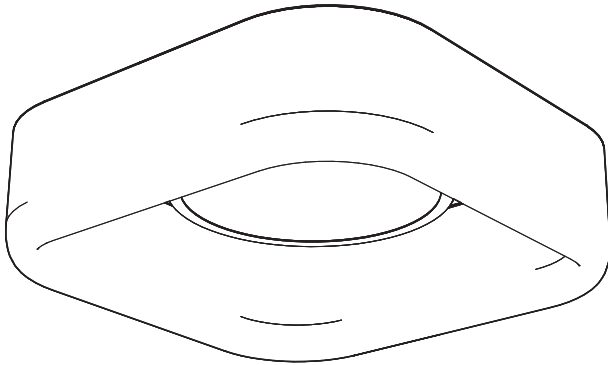
⚠ The light source of this luminaire is not replaceable; when the light source reaches its end of life the whole luminaire shall be replaced.

⚠ La source lumineuse de ce luminaire n'est pas remplaçable ; quand la source lumineuse atteint sa fin de vie, l'ensemble luminaire doit être remplacé.

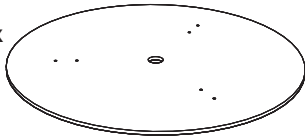


Excluded

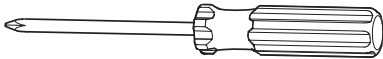




1x



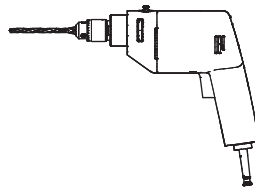
Excluded



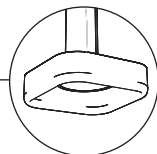
3x



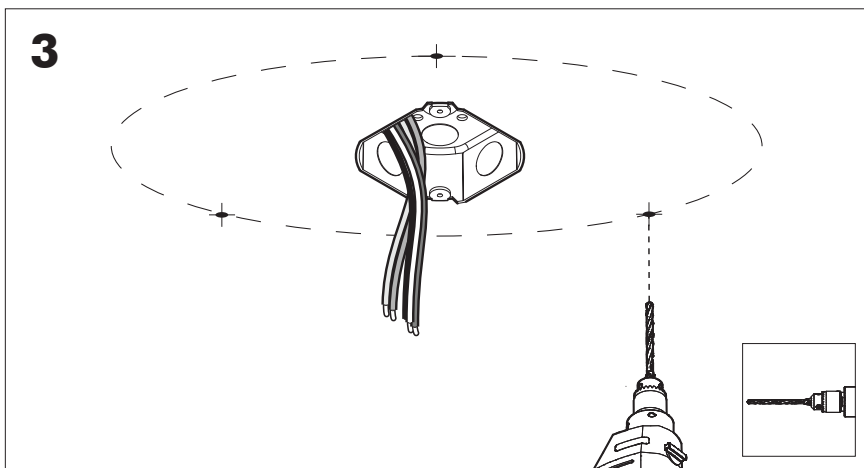
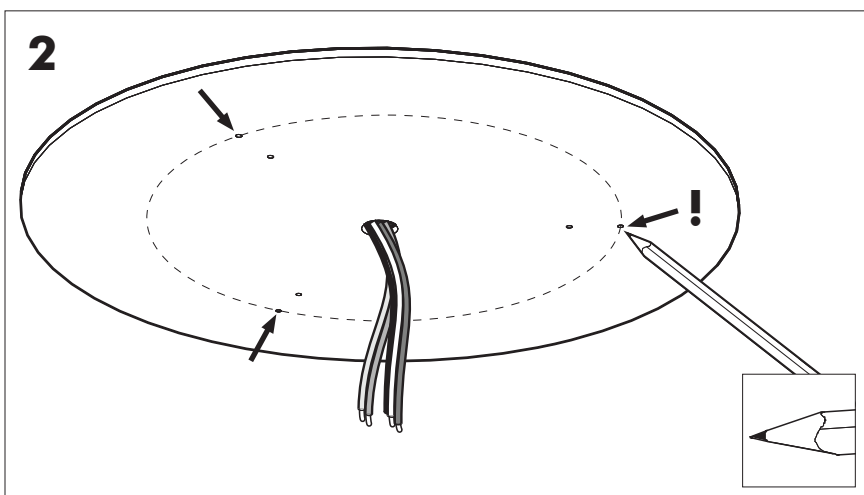
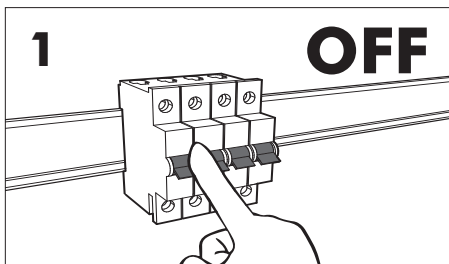
3x



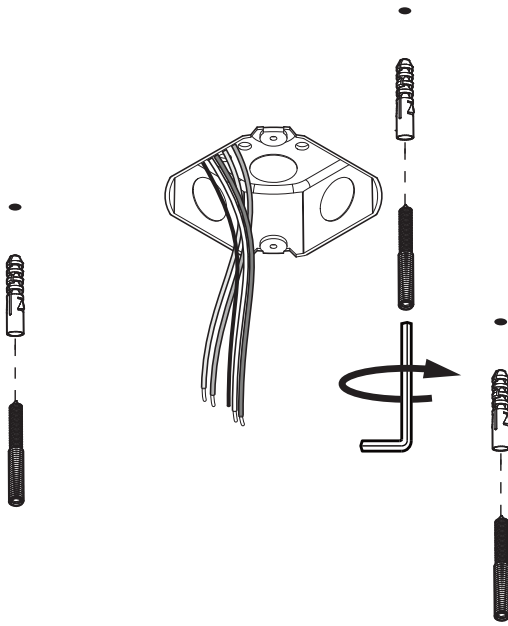
BuzziJet Square Ceiling Suspended Straight



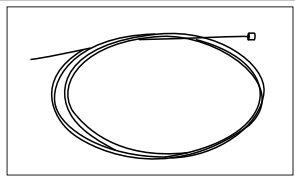
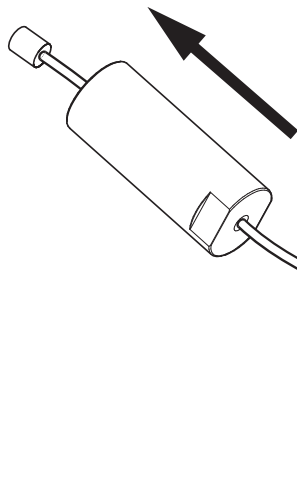
2 PERS. 

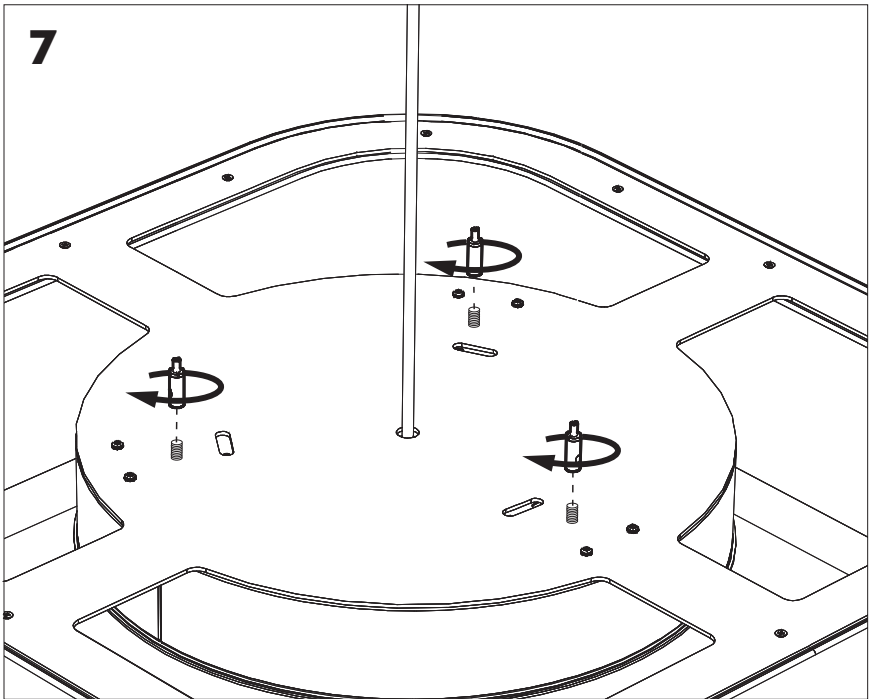
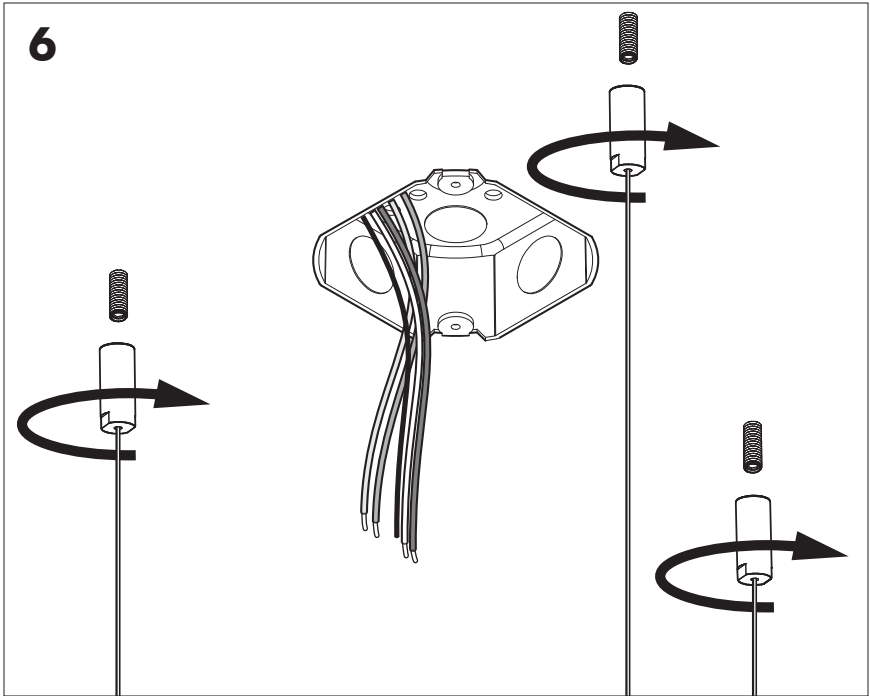


4

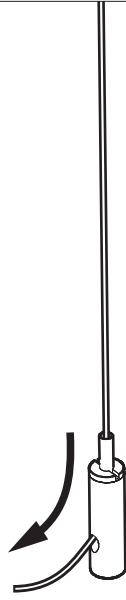
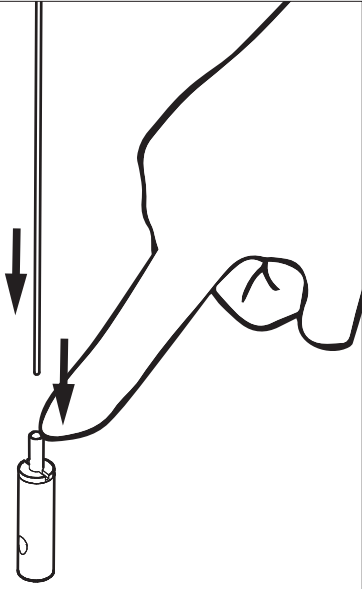


5

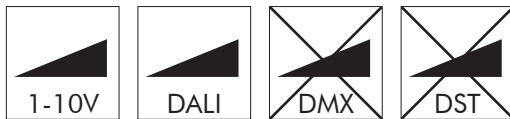




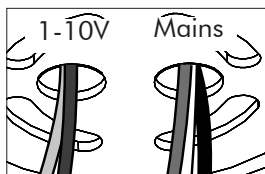
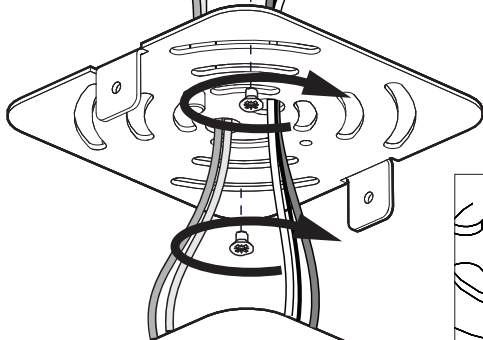
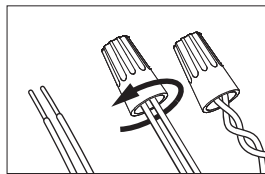
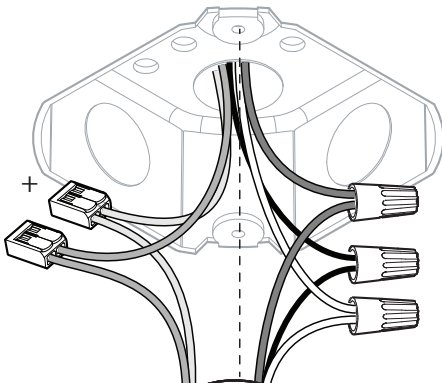
8



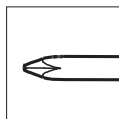
9a



Connection including dimmable function

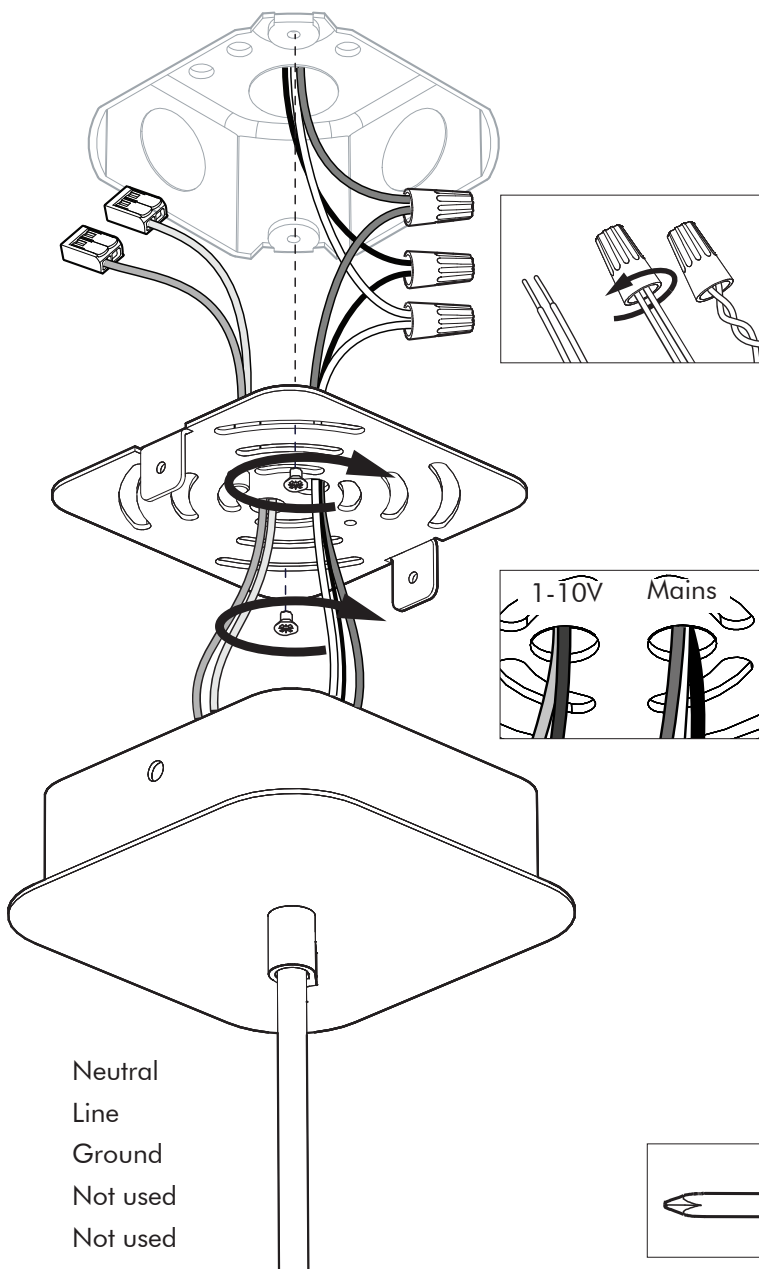


- White Neutral
- Black Line
- Green Ground
- Red DIM -
- Purple DIM +

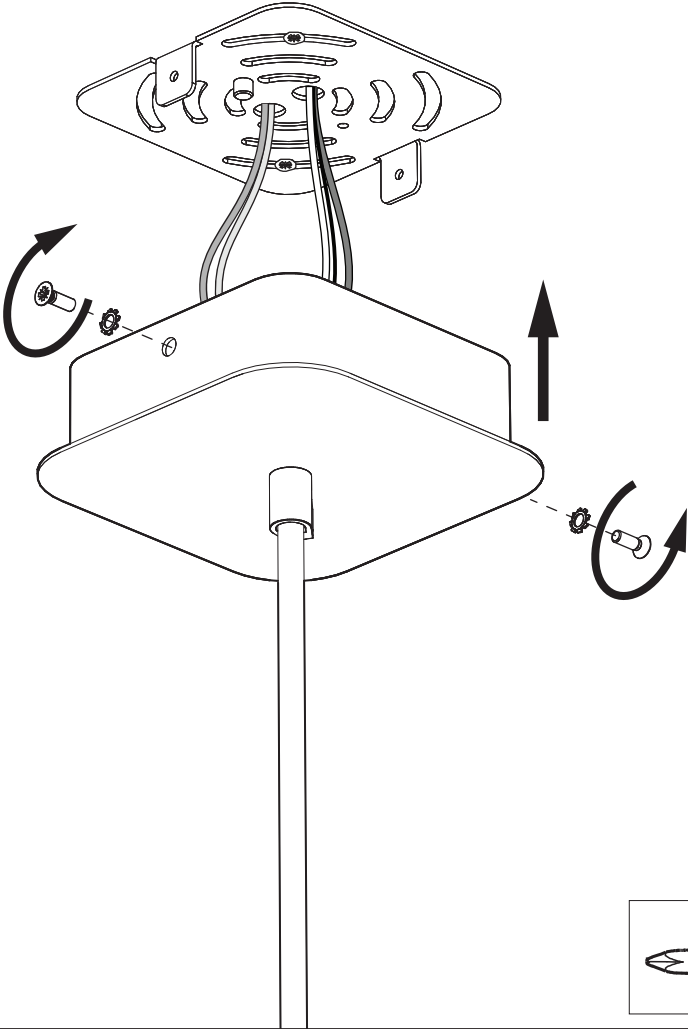


9b

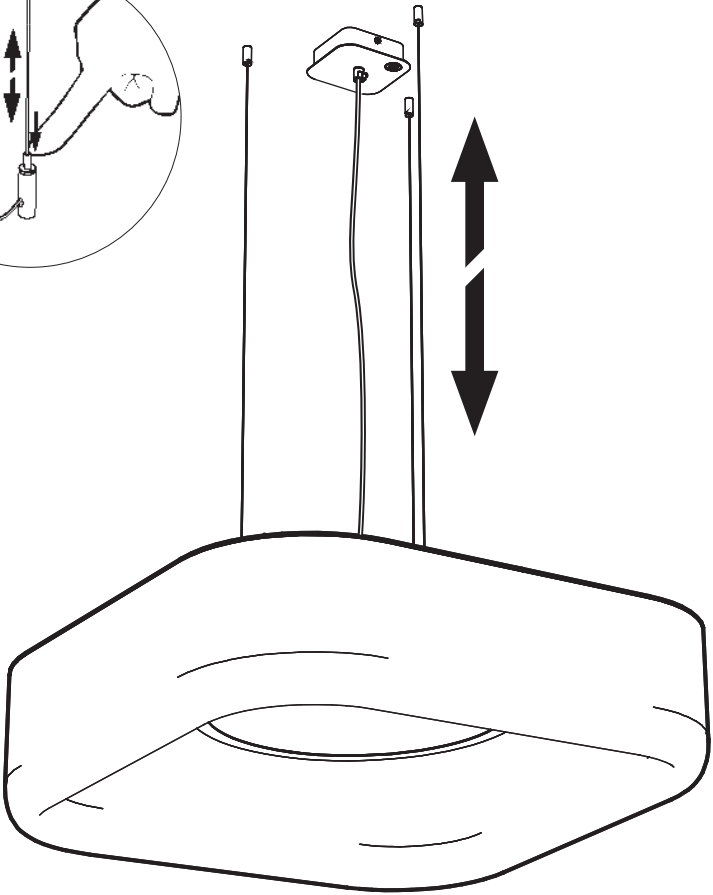
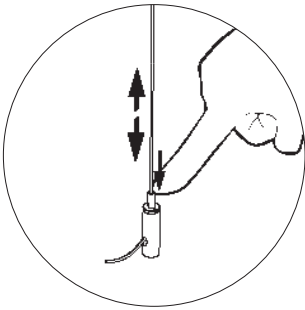
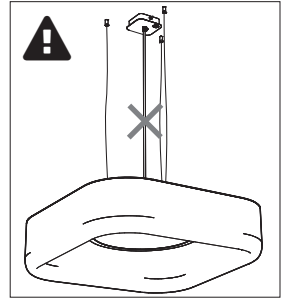
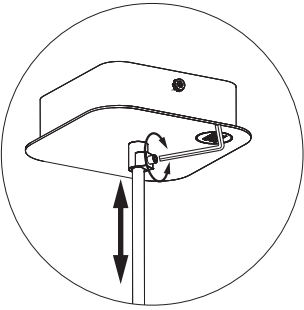
Connection excluding dimmable function



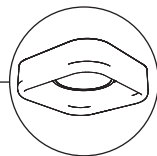
10



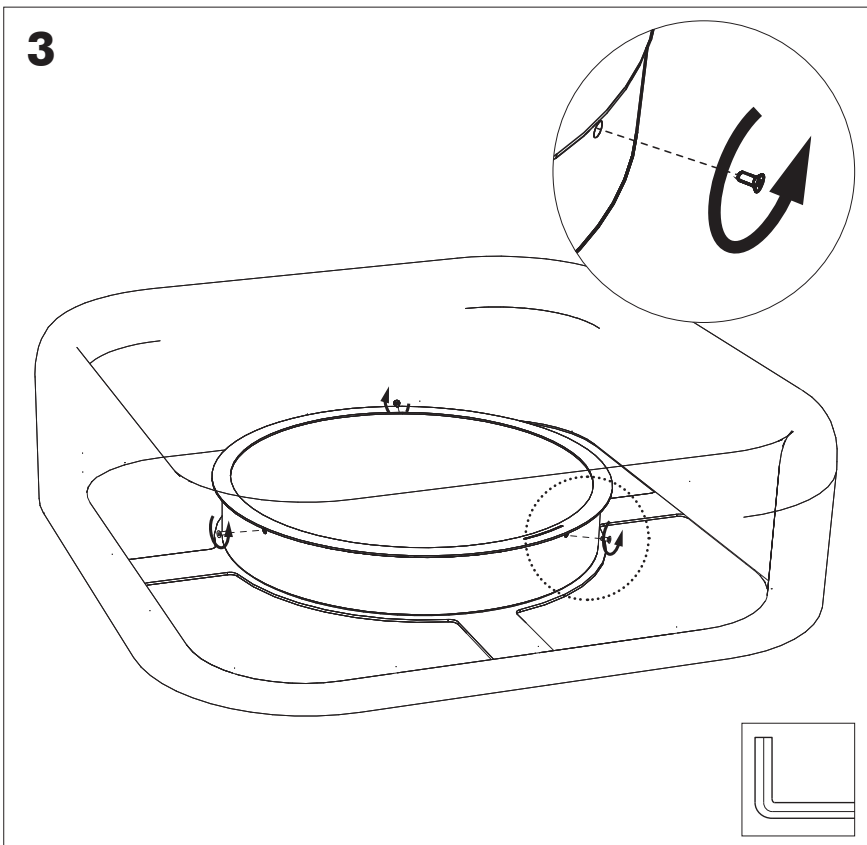
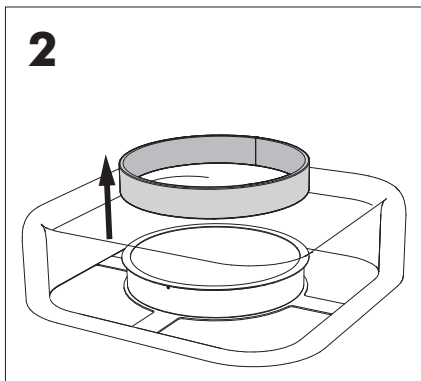
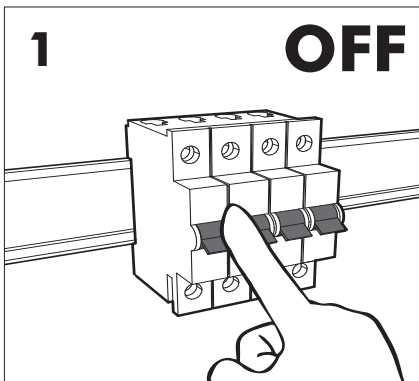
!



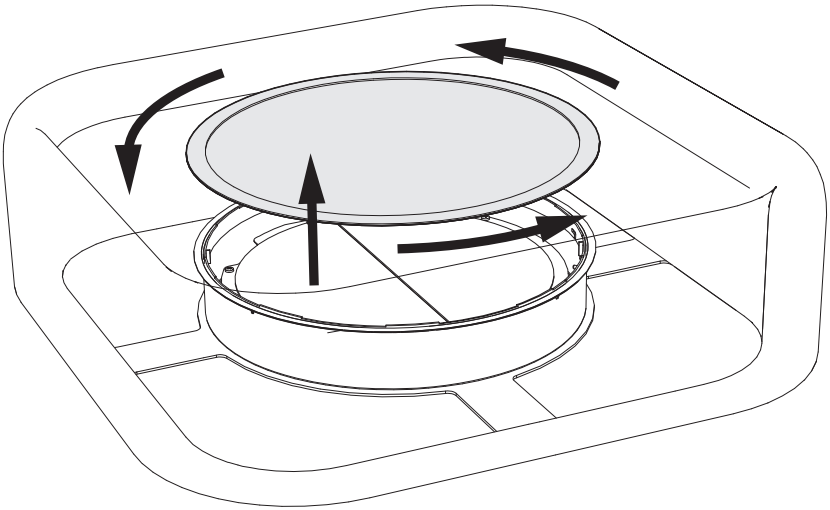
BuzziJet Square Ceiling Mounted



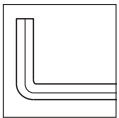
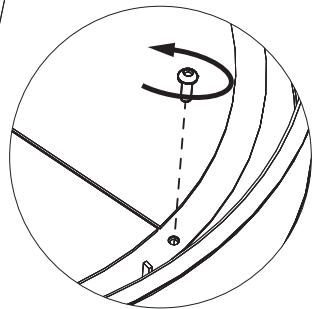
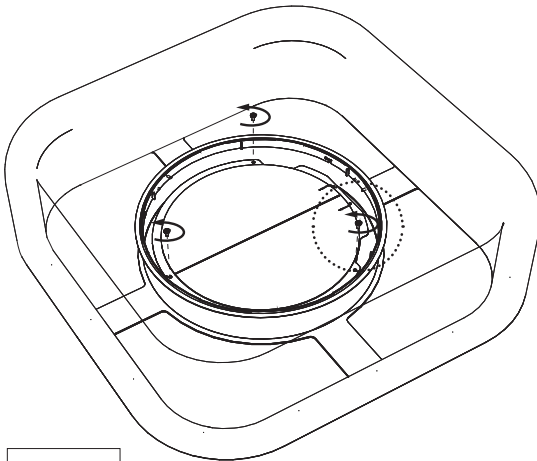
1 PERS.



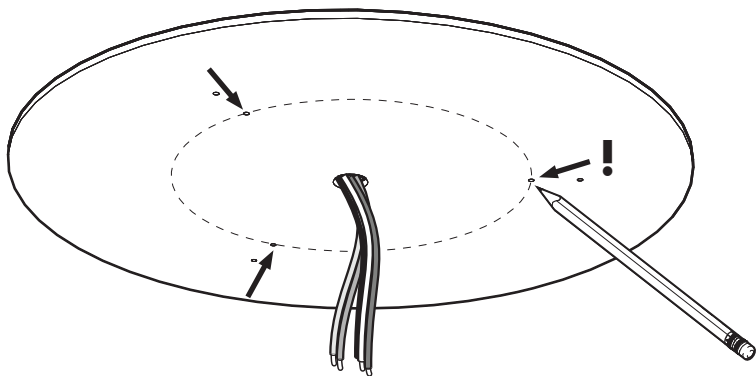
4



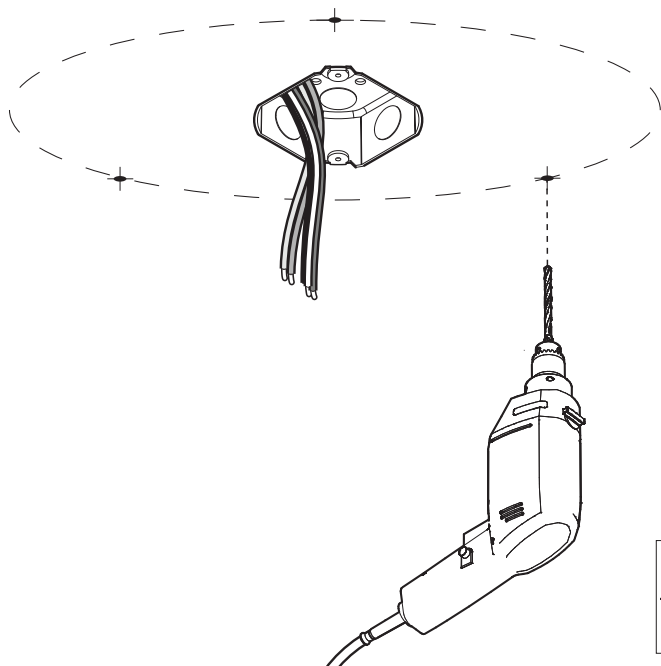
5



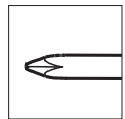
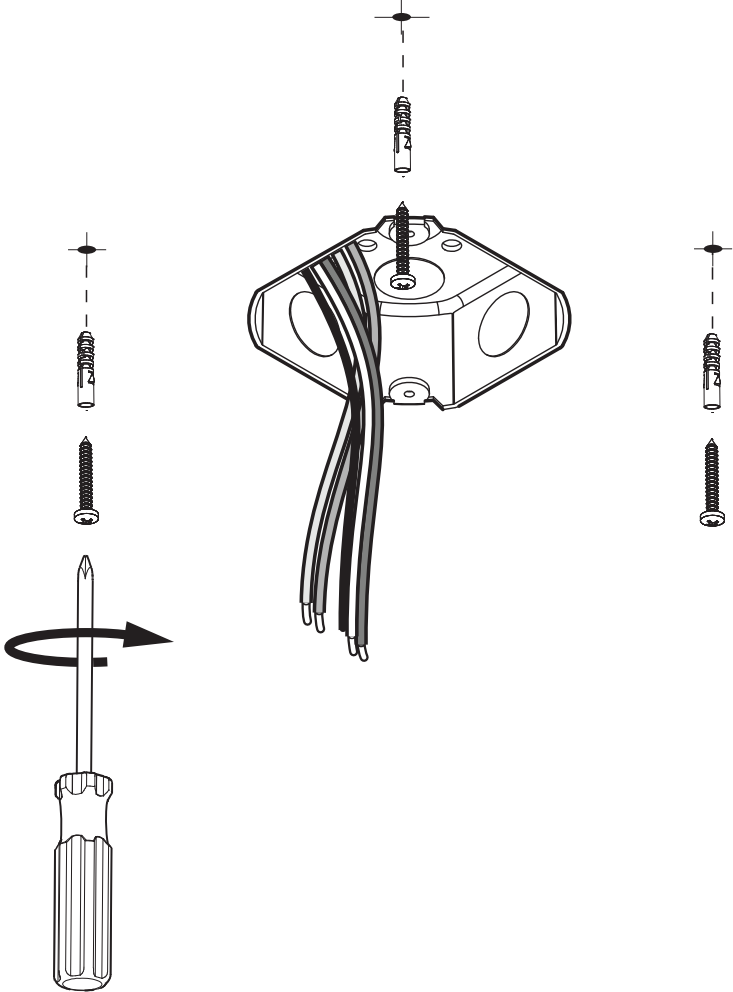
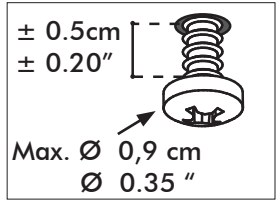
6



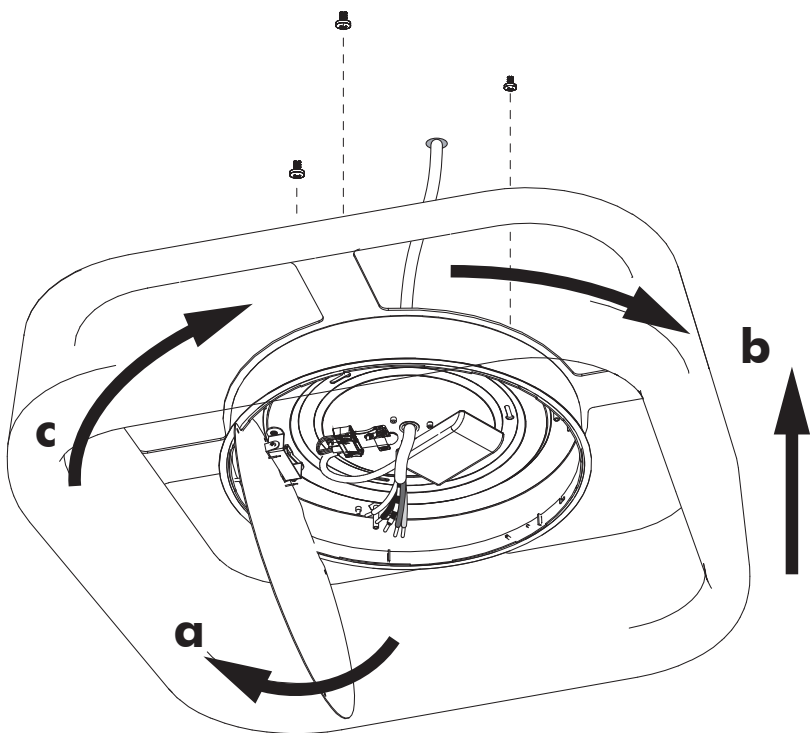
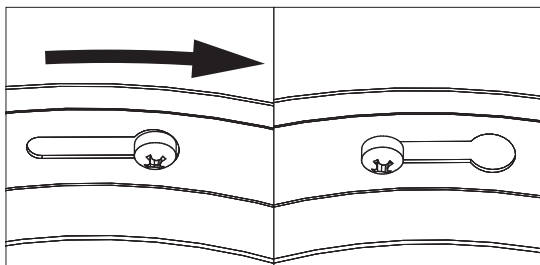
7



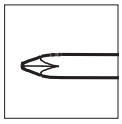
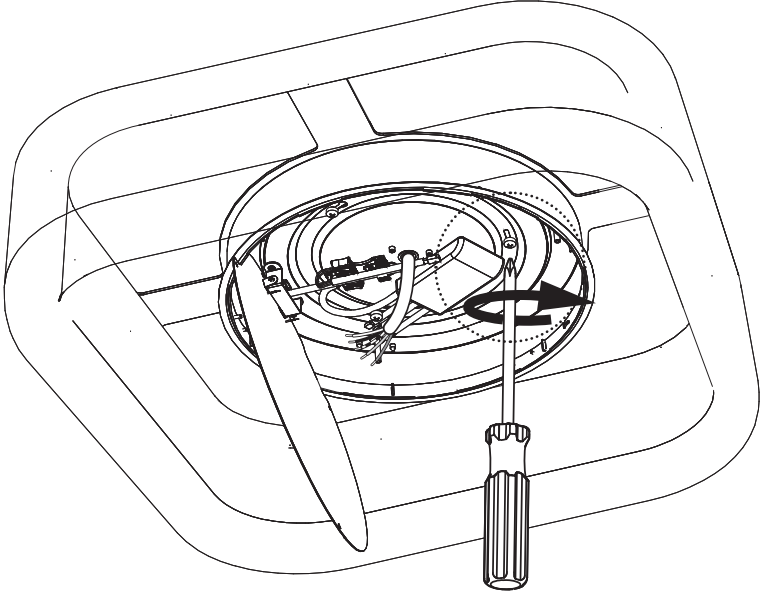
8



9



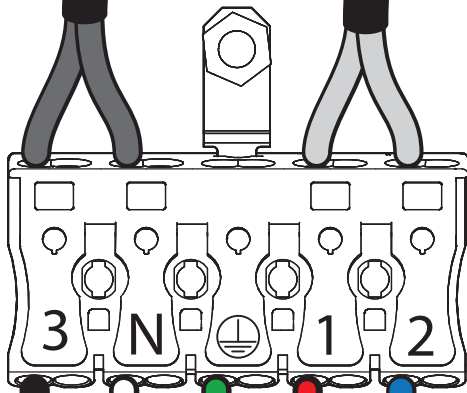
10



11a

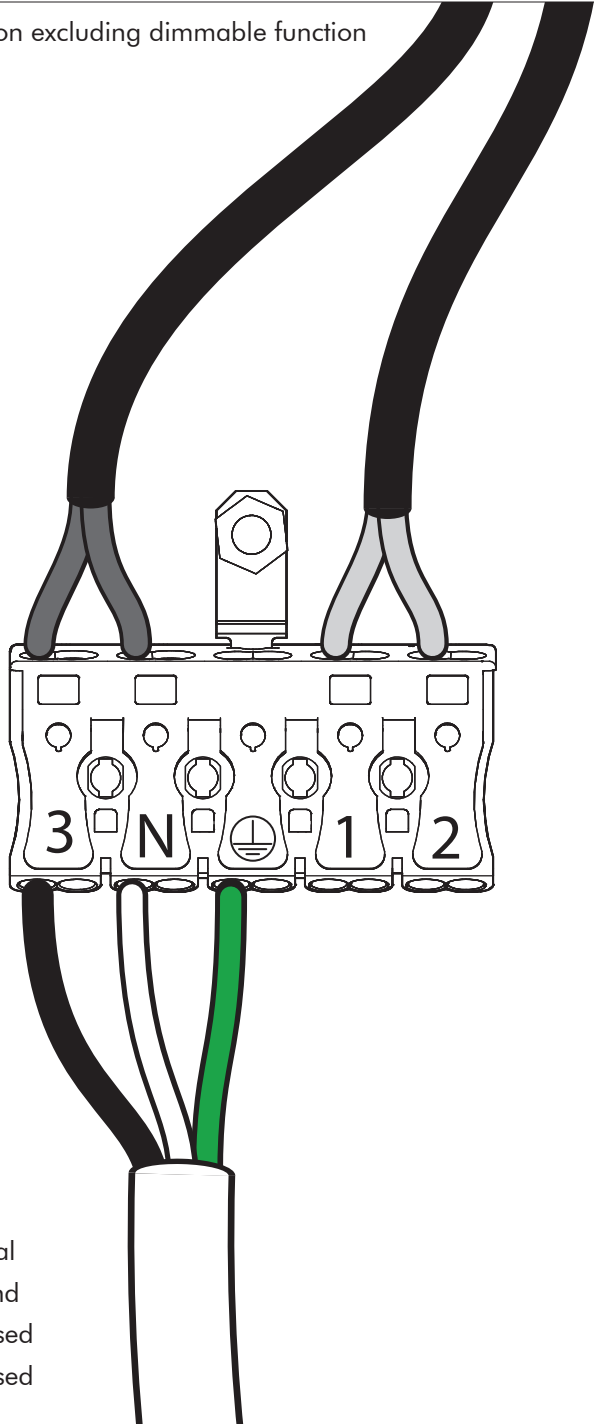


Connection including dimmable function



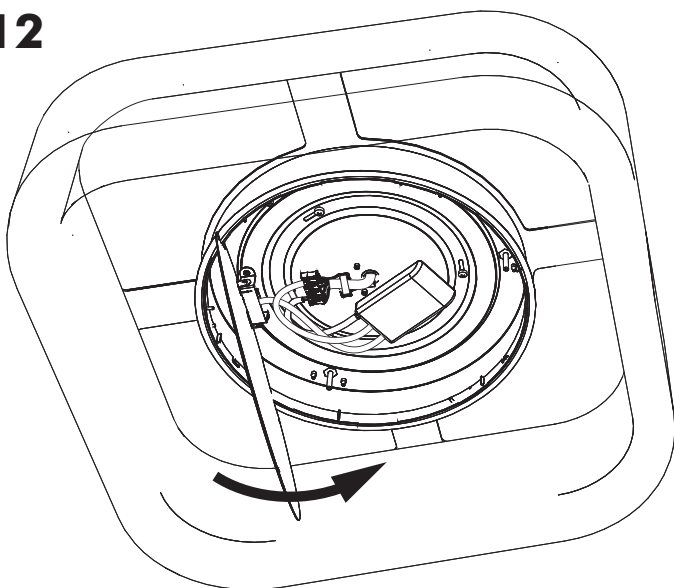
- N Line
- 3 Neutral
- 0 Ground
- 1 1 DIM +
- 2 2 DIM -

11b Connection excluding dimmable function



- N Line
- 3 Neutral
- 0 Ground
- 1 Not used
- 2 Not used

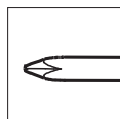
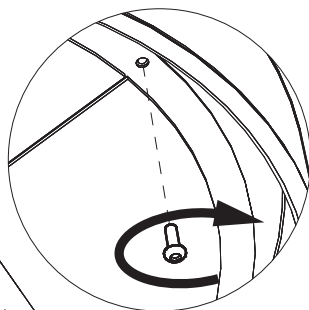
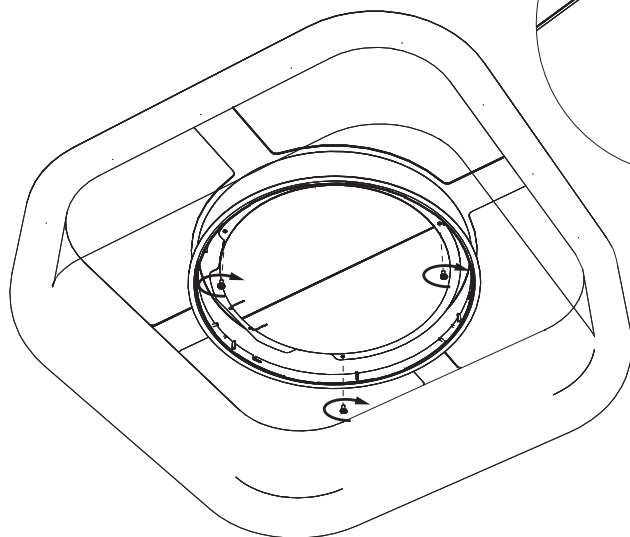
12



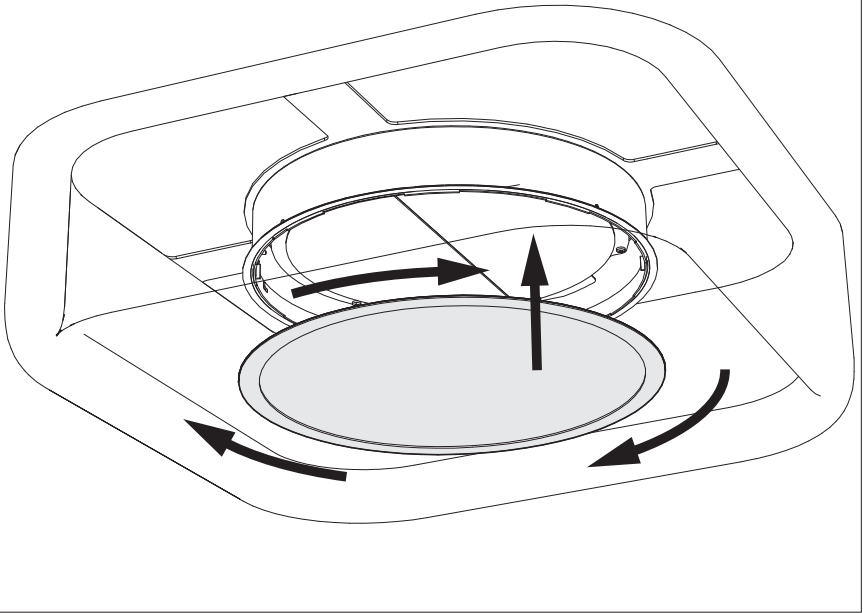
**DO NOT
TOUCH LED**

**! Make sure wires are not pinched in-between during this step !
! Assurez-vous que les fils ne sont pas pincés pendant cette étape !**

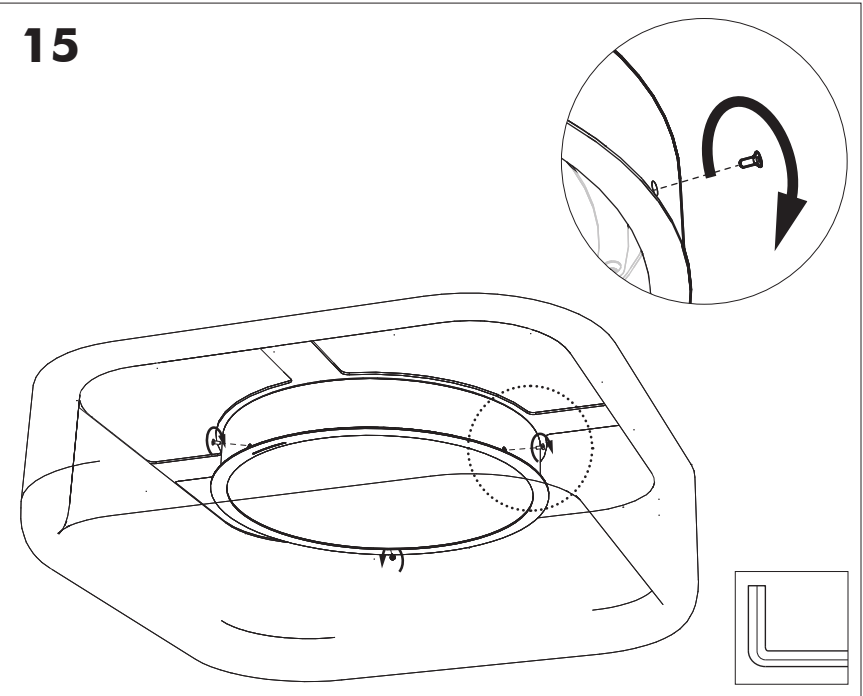
13



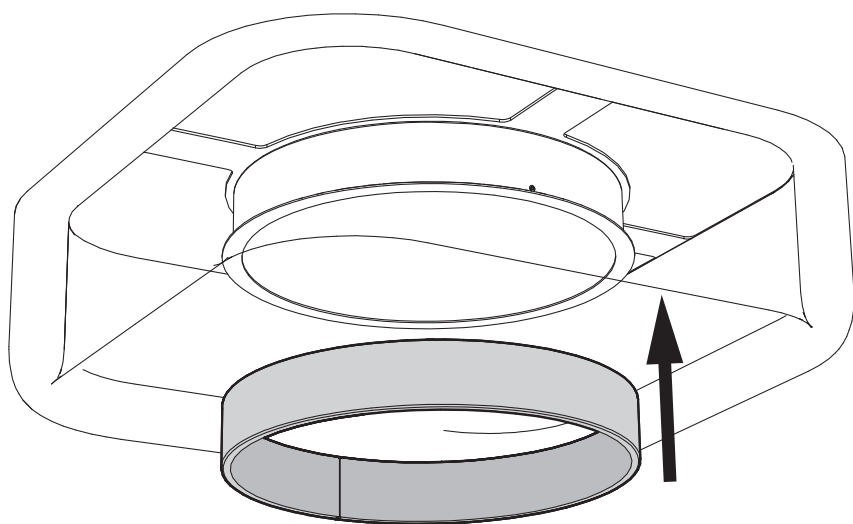
14



15



16

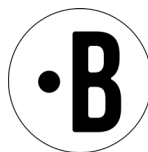


BuzziSpace Group NV
Italiëlei 8, 2000 Antwerp
Belgium

☎ +32 (0)3 846 10 00

✉ info@buzzi.space

🌐 www.buzzi.space



Doc nr.: A-0000007883/03

Last update: 25/06/2026