



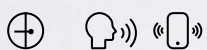
## Product Specification Sheet

### **BuzziVault Light US**

— By Alain Gilles

#### **Circular by Nature. Lighting by Design.**

Designed by Alain Gilles, BuzziVault Light is a high-performance acoustic lighting solution that combines mid-to-high frequency sound absorption with integrated indirect and direct architectural illumination. Designed for circularity and architectural impact, BuzziVault Light delivers lighting, acoustic comfort, and sculptural ceiling design in one cohesive suspended solution.

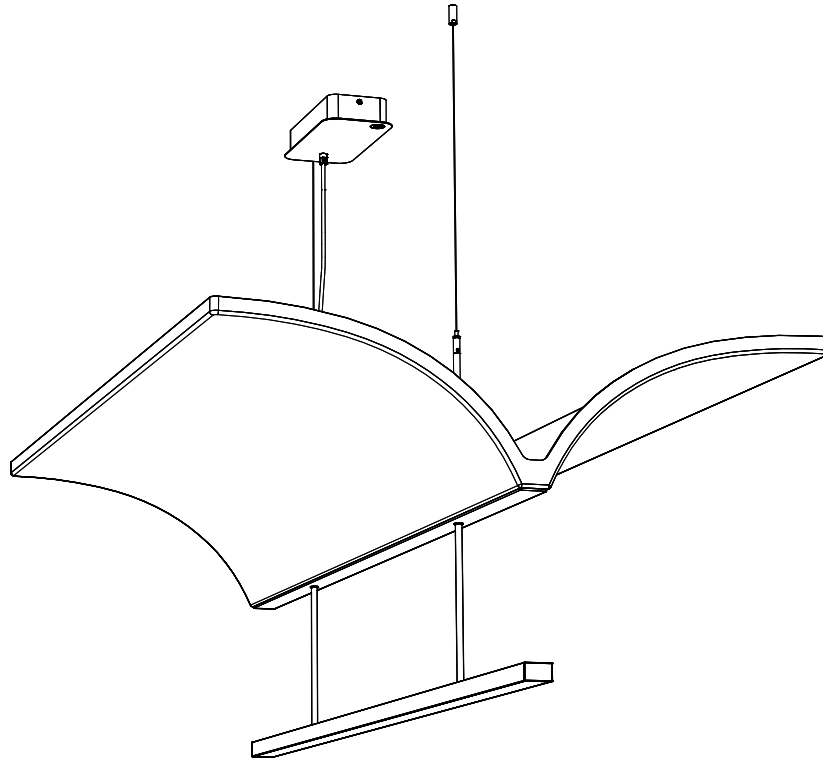


# The Family

**Model**

**BuzziVault Light**

**Lighting Unit**  
**LED Line Flux 140**



---

Required order information

1. Lighting Options (Voltage Input, Color Temperature, Dimming, Ceiling Canopy Color)
2. Mounting Option
3. PET Felt Color

# Lighting Data

## LED Line Flux 140



LED Line Flux 140 is a slim and elegant LED profile with a rectangular cross-section, designed to provide both direct (70%) and indirect (30%) illumination. The downlight delivers efficient functional lighting, while the uplight softly illuminates the ceiling and highlights the elegant curves of the acoustic panel above. The fixture features a powder-coated black profile finished with polycarbonate milky diffusers. Its integrated light source consists of three LED strips tailored to the dimensions of LED Line Flux 140, ensuring excellent color consistency and smooth dimming performance. The result is a continuous, uniform light distribution without visible dotting.

## BuzziVault Light Lighting options

### Lighting Options

### Characteristics

### Mounting

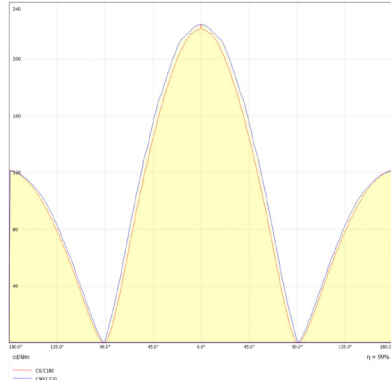
Voltage Input	Color Temperature	UGR (Diffuser type)	Dimming	Characteristics		Mounting Options
				Technical	Visual	
120-277V	3000K 3500K 4000K	24	0-10V	Power consumption: 46W  Light output: 7275 Lm 30% Indirect 70% Direct  Efficacy: 158 Lm/W CRI: > 90	Black or white ceiling canopy  Transparent power cable	2 cables 78.74" or 196.85" in Alu or Black



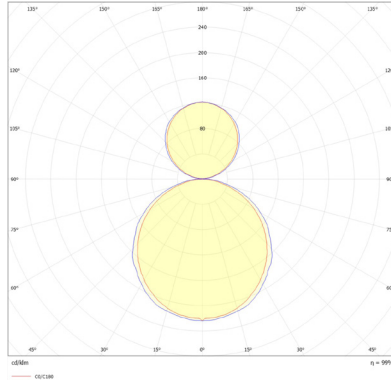
# Photometric Data

## LED Line Flux 140

Cartesian diagram



Polar curve

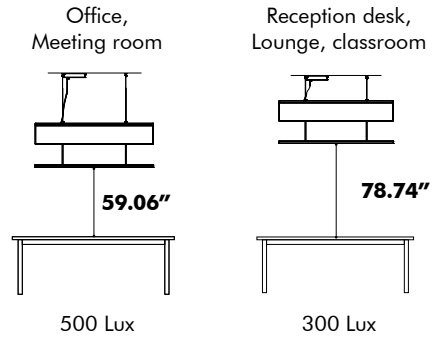


---

## Tips and Tricks - Light Options

To enlight your workplace with optimal lux levels take following measurements into account:

### BuzziVault Light

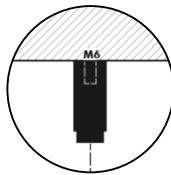
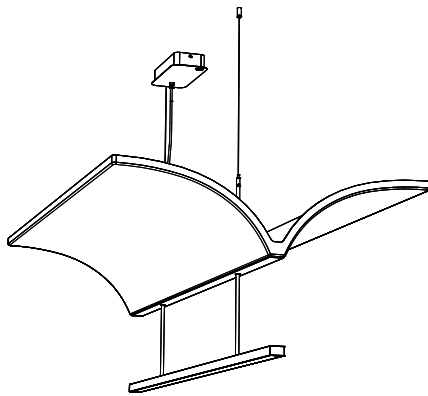


\* According to EN12464

# Product Data

## Fixing System

### Ceiling Suspended



2 cables  
78.74" or 196.85"  
Black or Alu  
Minimum distance of acoustic panel from ceiling is 4"

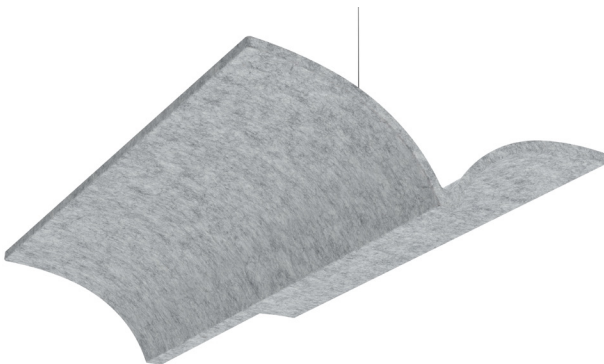
Black  
**Designer's choice**

Alu



**⚠** If installing on suspended ceiling, verify load capacity prior to installation.

## Acoustic Panel



Acoustic panel in PET felt.



Absorption



Mid tone



High tone

## Metal Frame



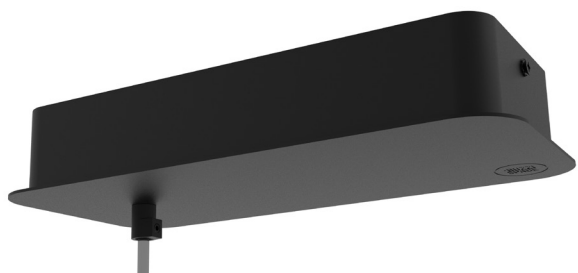
The metal frame is powder coated in black RAL 9005

The distance between the acoustic panel and LED Line Flux 140 is 9.84".

This distance is fixed and can't be adjusted.

---

## Canopy and power cable

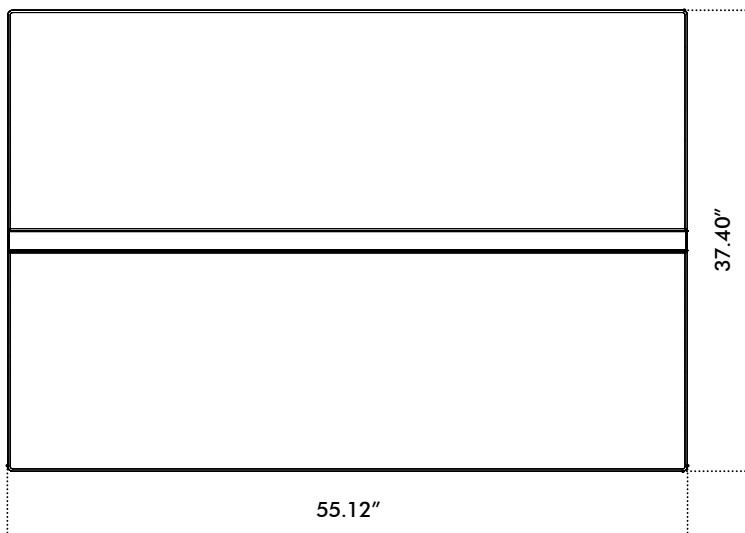
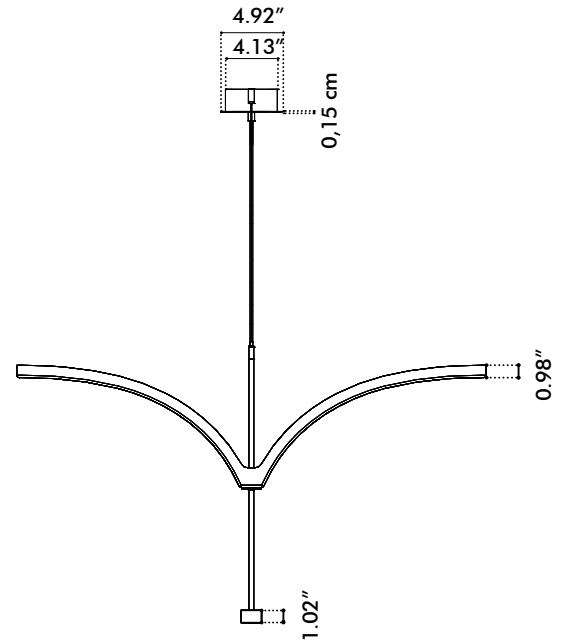
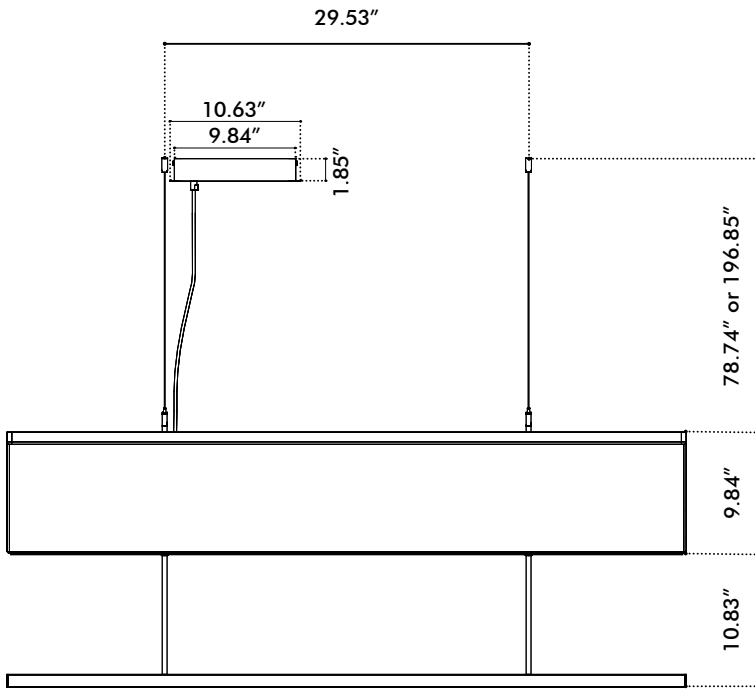


Ceiling canopy is available in two finishes powder-coated black (RAL 9005) or white (RAL 9010).

Power cable is transparent.

# Dimensions

## BuzziTent Light

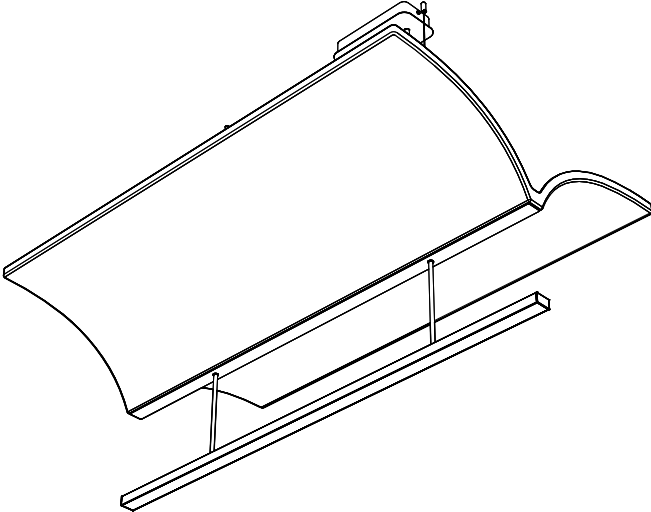


---

# Weights

## BuzziVault Light

22.60 lbs



# Fabrics

---

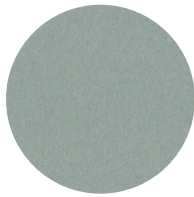
## PET Felt

**Composition** 60% Recycled PET Felt

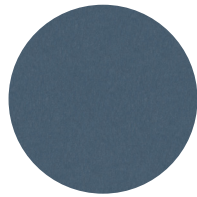
**Weight** 2.300 g/m<sup>2</sup> | 67.8 oz/yd<sup>2</sup>

**Thickness** 7 mm | 0.28"

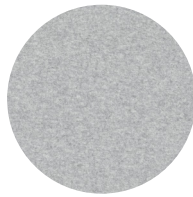
**Maintenance** For dust removal light vacuuming with a soft nozzle is recommended on a regular basis. For stain removal, patch test on a concealed section first. Spot clean according to the industry standards.



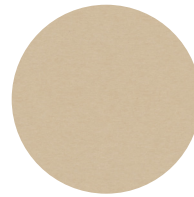
Sage 20



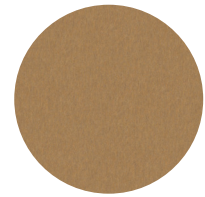
Slate 32



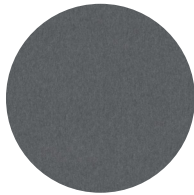
Frost 58



Cream 63



Ochre 65

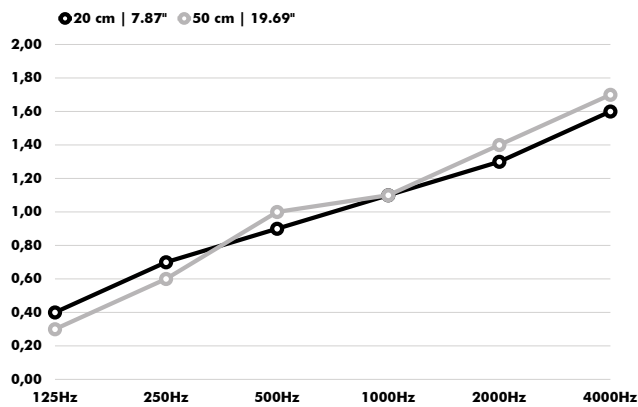


Smoke 71

# Acoustics

## BuzziVault Light

Equivalent sound absorption area in m<sup>2</sup> per object



Hz	20 cm   7.87" From Ceiling Aeq/m <sup>2</sup>	50 cm   19.69" From Ceiling Aeq/m <sup>2</sup>
125	0.4	0.3
250	0.7	0.6
500	0.9	1.0
1000	1.1	1.1
2000	1.3	1.4
4000	1.6	1.7