

YAKTA

MULCH KIT INSTALLATION INSTRUCTIONS

FOR 48", 54", 61", & 72" MOWER DECKS



1-866-925-8201
clientcare@yakta.com
yakta.com

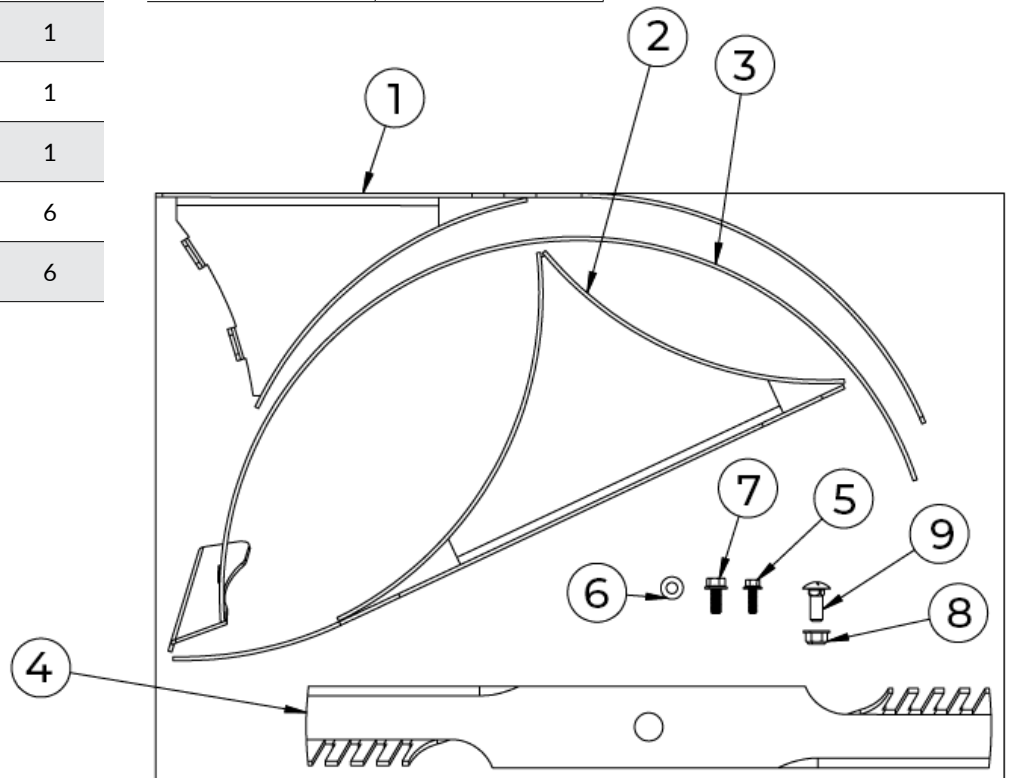
CONTENTS

PARTS LIST & DIAGRAM	3
TORQUE SPECIFICATIONS	4
INSTALLATION INSTRUCTIONS	5
REMOVAL INSTRUCTIONS	6
IMPROVE CUT QUALITY WITH YOUR MULCH KIT	7

PARTS LIST & DIAGRAM

LOOSE PARTS		
Item #	Description	QTY
1	Bolt-on Mulch Baffle 1	1
2	Bolt-on Mulch Baffle 2	1
3	Bolt-on Mulch Baffle 3	1
4	Shredding Blade	3
5	1/4" Flange Head Bolt	1
6	5/16" Washer	1
7	5/16" Flange Head Bolt	1
8	3/8" Nut	6
9	3/8" Carriage Bolt	6

BLADE SIZE	
Deck Size	Blade Size
48"	17"
54"	18.5"
61"	21"
72"	25"



TORQUE SPECIFICATIONS

Size	Thread Pitch	Grade 5	Grade 8
#3	32	23 in-lb	28 in-lb
#8	32	41 in-lb	52 in-lb
#10	24	60 in-lb	75 in-lb
#12	24	94 in-lb	117 in-lb
1/4	20	7 ft-lb	11 ft-lb
5/16	18	15 ft-lb	21 ft-lb
3/8	16	27 ft-lb	37 ft-lb
7/16	14	43 ft-lb	57 ft-lb
1/2	13	61 ft-lb	88 ft-lb
9/16	12	87 ft-lb	125 ft-lb
5/8	11	121 ft-lb	175 ft-lb
3/4	10	215 ft-lb	311 ft-lb
7/8	9	349 ft-lb	492 ft-lb

INSTALLATION INSTRUCTIONS

INSTRUCTIONS

TOOLS REQUIRED:

- 1/2" Wrench
- 9/16" Wrench
- 15/16" Wrench
- 7/16" Wrench
- 1-1/8" Wrench

STEPS:

1. Make sure your mower is turned off and safe to work on.



CAUTION

Before working on your mower:

- Park on a level surface.
- Ensure the PTO is disengaged and the park brake is engaged.
- Turn off the mower and remove the key.
- Turn off the battery disconnect, if your mower has one.

2. Jack up or lift the mower deck.

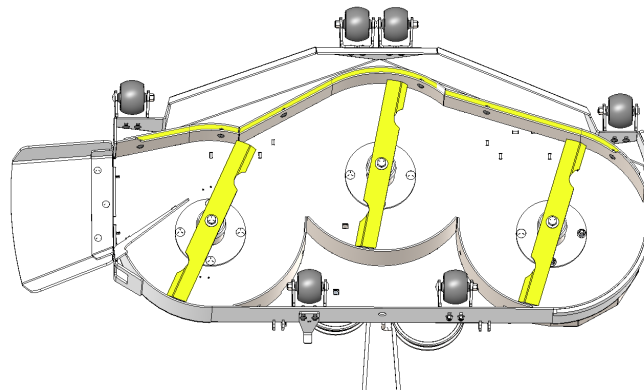


CAUTION

If you are using jacks to lift the machine, ensure you are using jack stands or blocks

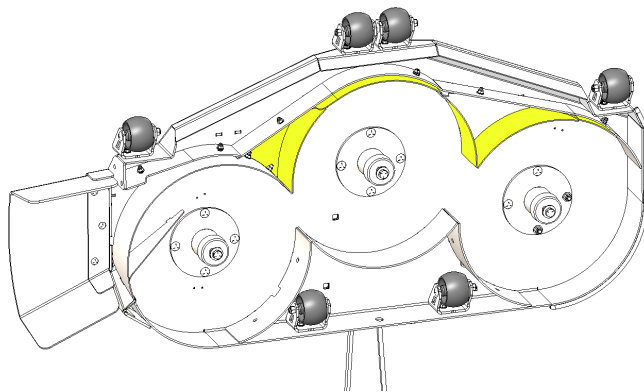
3. Take off the existing mower blades.
 - a. Carefully hold the blades under the deck to prevent movement.
 - b. Use a 15/16" wrench to remove the 5/8" bolt at the bottom of each spindle. Use a 1-1/8" wrench to hold the spindle shaft above the blade to keep it from rotating. Alternatively, use a block to wedge the blade.
 - c. Take the blade off the spindle.

4. Remove the adjustable baffles, if your mower has them.
 - Use a 9/16" wrench to remove the 3/8" bolts.



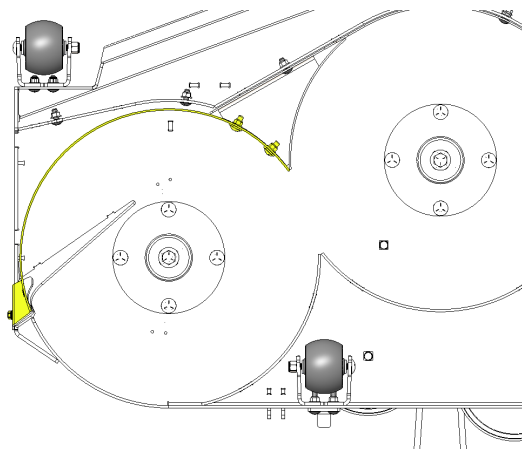
5. Attach Bolt-On Mulch Baffles 1 & 2

- Secure the baffles to the existing ones with four 3/8" carriage bolts and nuts. Tighten with 9/16" wrench.

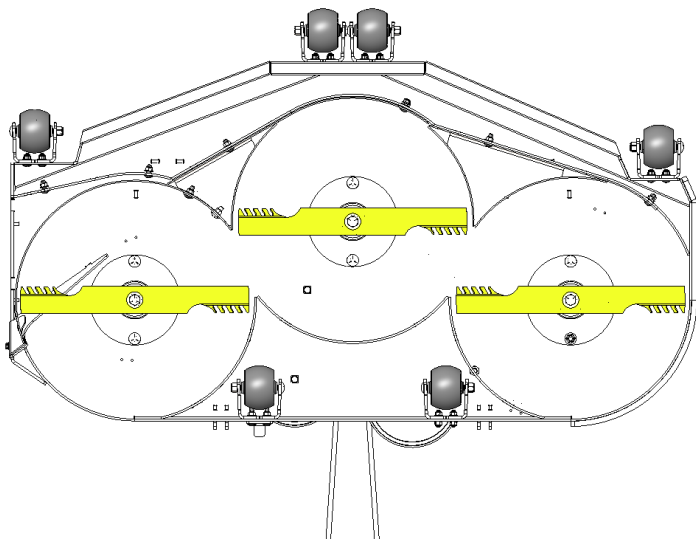


INSTALLATION INSTRUCTIONS

6. Attach Bolt-On Baffle 3
 - a. Secure the third mulch baffle with two 3/8" carriage bolts and nuts at the front of the mower deck. Tighten with a 9/16" wrench.
 - b. The chute-side hole in your mower deck will fit either the 5/16" bolt or 1/4" bolt.
 - i. To attach the mulch baffle with the 1/4" bolt, install with washer and tighten with a 7/16" wrench.
 - ii. To attach the mulch baffle with the 5/16" bolt, tighten with a 1/2" wrench. You do not need to use the washer.



7. Attach the Shredding Blades.
 - a. Put the blade on the spindle. The curved part should face upwards, toward the mower deck.
 - b. Use a 15/16" wrench to attach the 5/8" bolt at the bottom of the spindle. Use a 1-1/8" wrench to hold the spindle shaft above the blade to keep it from rotating. Alternatively, use a block to wedge the blade. Carefully hold the blade under the deck to prevent movement.
 - c. Before using the mower, ALWAYS spin the blades by hand after you install them to make sure they move freely and don't touch each other or the mower deck.



REMOVAL INSTRUCTIONS

STEPS:

1. To remove the blades and bolt-on mulch baffles, follow the install steps above in reverse order.

HOW TO IMPROVE CUT QUALITY WITH YOUR MULCH KIT

- **RAISE THE CUT HEIGHT:** Cut only a third of the grass blade at a time, unless the grass is sparse or it's late fall. For tall grass, mow once before installing mulch kit and once with mulch kit for a cleaner cut.
- **SLOWER CUTTING SPEED:** Reduce the speed you are mowing at in tougher conditions.
- **MINIMIZE CLUMPING:** Clean the underside of the mower after each use.
- **KEEP BLADES SHARP:** Check the sharpness and look for any damage to your blades after each use to ensure a clean cut and avoid grass tearing, which can lead to disease. Sharpen or replace blades if necessary.
- **MAINTAIN PROPER BELT TENSION:** Check tensioner arm to add tension. Change belt if needed.
- **CHECK YOUR TIRE PRESSURE:** Ensure tires have the right pressure and are evenly filled.
- **GIVE YOUR ENGINE FULL POWER:** Mow with the throttle dial turned up fully.
- **ENSURE GOOD AIR CIRCULATION:** Maintain air flow by ensuring at least one side of the mower deck isn't surrounded by grass. Raise the deck when cutting if needed.

CONTACT YAKTA

1-866-925-8201

clientcare@yakta.com

yakta.com

