

# Sundance® Spas

## Hot Tub Specification Handbook



# Important Safety Instructions - All Models



©2023 Sundance® Spas, Inc. Sundance® Spas may make product modifications and enhancements. Therefore, specifications may change without notice. Dimensions are approximate and for reference only.



**CAUTION: Always measure each hot tub for exact dimensions before designing its foundational support and/or decking.**



When designing a foundational support, always account for the following load factors:

1. Filled hot tub weight, plus (+)
2. Combined occupant weight at maximum seating capacity, plus (+)
3. Weight of support decking, when applicable.



The technical data given in this publication is for reference purposes only. It implies no warranty of any kind.



Spa specifications, dimensions and operations are subject to change without notice.

# Table of Contents

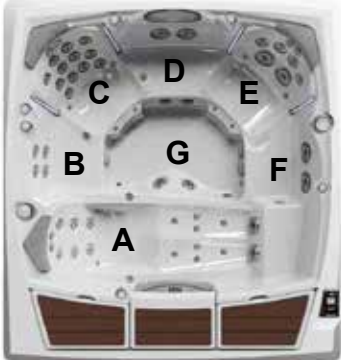
<b>980™ Series Spas</b> .....	<b>1</b>
Claremont™ Specifications .....	1
Claremont Operation/Seat Depths .....	2
Claremont Portable Dimensions .....	3
Kingston™ Specifications .....	4
Kingston Operation/Seat Depths .....	5
Kingston Portable Dimensions .....	6
<b>880™ Series Spas</b> .....	<b>7</b>
Maxxus™ Specifications .....	7
Maxxus Operation/Seat Depths .....	8
Maxxus Portable Dimensions .....	9
Aspen® Specifications .....	10
Aspen Operation/Seat Depths .....	11
Aspen Portable Dimensions .....	12
Optima® Specifications .....	13
Optima Operation/Seat Depths .....	14
Optima Portable Dimensions .....	15
Cameo® Specifications .....	16
Cameo Operation/Seat Depths .....	17
Cameo Portable Dimensions .....	18
Altamar® Specifications .....	19
Altamar Operation/Seat Depths .....	20
Altamar Portable Dimensions .....	21
Marin® Specifications .....	22
Marin Operation/Seat Depths .....	23
Marin Portable Dimensions .....	24
Capri® Specifications .....	25
Capri Operation/Seat Depths .....	26
Capri Portable Dimensions .....	27
SunSide™ Dimensions .....	28
<b>780™ Series Spas</b> .....	<b>29</b>
Hamilton™ Specifications .....	29
Hamilton Operation/Seat Depths .....	30
Hamilton Portable Dimensions .....	31
Chelsea® Specifications .....	32
Chelsea Operation/Seat Depths .....	33
Chelsea Portable Dimensions .....	34
Bristol™ Specifications .....	35
Bristol Operation/Seat Depths .....	36
Bristol Portable Dimensions .....	37
Montclair™ Specifications .....	38
Montclair Operation/Seat Depths .....	39
Montclair Portable Dimensions .....	40
Dover™ Specifications .....	41
Dover Operation/Seat Depths .....	42
Dover Portable Dimensions .....	43

<b>680™ Series Spas</b> .....	<b>44</b>
McKinley™ Specifications .....	44
McKinley Operation/Seat Depths .....	45
McKinley Portable Dimensions .....	46
Ramona™ Specifications .....	47
Ramona Operation/Seat Depths .....	48
Ramona Portable Dimensions .....	49
Edison® Specifications .....	50
Edison Operation/Seat Depths .....	51
Edison Portable Dimensions .....	52
Peyton® Specifications .....	53
Peyton Operation/Seat Depths .....	54
Peyton Portable Dimensions .....	55
Prado™ Specifications .....	56
Prado Operation/Seat Depths .....	57
Prado Portable Dimensions .....	58
Alicia™ Specifications .....	59
Alicia Operation/Seat Depths .....	60
Alicia Portable Dimensions .....	61
<b>Splash™ Series Spas</b> .....	<b>62</b>
Berkeley™ 40 Jets Specifications .....	62
Berkeley 40 Jets Operation/Seat Depths .....	63
Berkeley 40 Jets Portable Dimensions .....	64
Berkeley™ 30 Jets Specifications .....	65
Berkeley 30 Jets Operation/Seat Depths .....	66
Berkeley 30 Jets Portable Dimensions .....	67
Brook™ 40 Jets Specifications .....	68
Brook 40 Jets Operation/Seat Depths .....	69
Brook 40 Jets Portable Dimensions .....	70
Brook™ 30 Jets Specifications .....	71
Brook 30 Jets Operation/Seat Depths .....	72
Brook 30 Jets Portable Dimensions .....	73
Paisley™ Specifications .....	74
Paisley Operation/Seat Depths .....	75
Paisley Portable Dimensions .....	76



# Sundance® Spas 980™ Claremont™

## Specifications

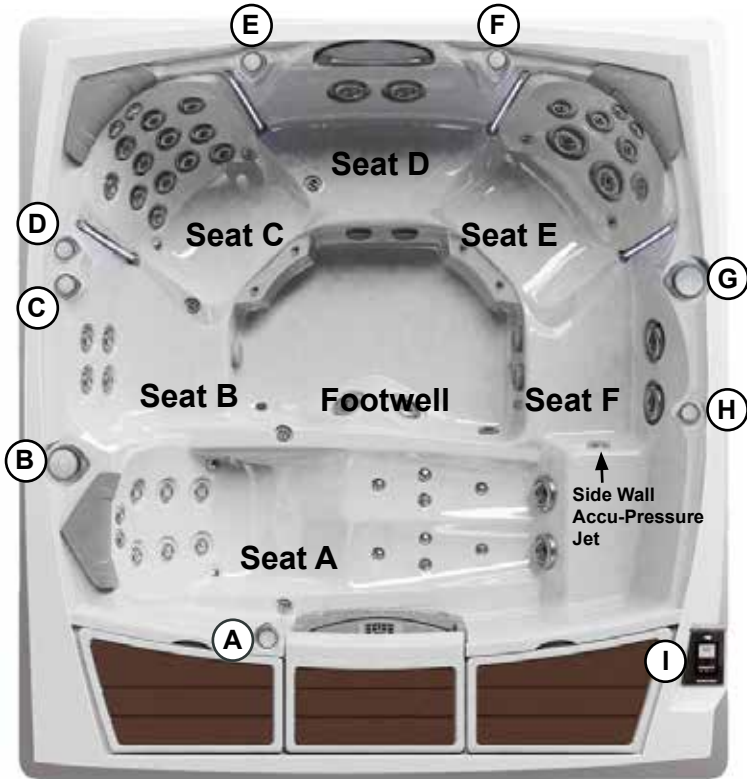
<b>Dimensions:</b> .....	92" x 100" x 34" (233.7 cm x 254 cm x 86.4 cm)	
<b>Perimeter</b> .....	384" (975.4 cm)	
<b>Seating Capacity:</b> .....	5-6 Adults	
<b>Dry Weight:</b> .....	1,045 lbs (474 kg)	
<b>Filled Weight (Spa Volume):</b> .....	5,348 lbs (2,426 kg)	
<b>Filled Weight (Average Fill):</b> .....	4,423 lbs (2,006 kg)	
<b>Water Capacity (Spa Volume):</b> .....	516 US Gal (1,953 Liters)	
<b>Water Capacity (Average Fill):</b> .....	405 US Gal (1,533 Liters)	
<b>Controls:</b> .....	980 iTouch™ Glass Interface LCD Control, Displays Temperature, Time, Cycles and Jet/Air System Control. Offers Customizing of Filtration Cycles, Lighting, Water Temperature Setting and other features	
<b>Water Delivery:</b> .....	3 TheraMax High-Flow Pumps and 8-Hour Dynamic Flow Circulation System	
<b>Pump 1:</b> .....	North America (60 Hz): 1-Speed/2.5 HP Continuous, 11.3A Max., 56 Frame <b>Export (50 Hz): 1-Speed/2.0 HP Continuous, 7A Max.</b>	
<b>Pump 2:</b> .....	North America (60 Hz): 1-Speed/2.5 HP Continuous, 11.3A Max., 56 Frame <b>Export (50 Hz): 1-Speed/2.0 HP Continuous, 7A Max.</b>	
<b>Pump 3:</b> .....	North America (60 Hz): 1-Speed/2.5 HP Continuous, 11.3A Max., 56 Frame <b>Export (50 Hz): 1-Speed/2.0 HP Continuous, 7A Max.</b>	
<b>Pump 4:</b> .....	High-Output Dynamic Flow, 24-Hour programmable, factory default set to 8-Hour Filter/Circulation Pump (35 gpm) Programmable for Daily Start Time and Duration	
<b>Total Hydrojets:</b> .....	<b>59</b>	
<b>Seat A Jets:</b> .....	2 Fluidix Nex, 6 Fluidix Reflex, 2 Pulsator, 8 Focus-Relief®, 2 Vortex	
<b>Seat B Jets:</b> .....	4 Fluidix Reflex	
<b>Seat C Jets:</b> .....	12 Fluidix-ST, 2 Fluidix Nex, 2 Pulsator, 2 Accu-Pressure	
<b>Seat D Jets:</b> .....	2 Vortex	
<b>Seat E Jets:</b> .....	2 Fluidix Nex, 4 Fluidix Reflex, 2 Fluidix Intelli-Jet, 2 Accu-Pressure	
<b>Seat F Jets:</b> .....	2 Vortex, 1 Accu-Pressure (sidewall)	
<b>Footwell Jets (G):</b> .....	2 Whirlpool	
<b>Air Blower:</b> .....	High-efficiency, 1-Speed	
<b>Aromatherapy Delivery:</b> .....	6 Silent Air® Injector Jets with Quiet High Speed Air Pump	
<b>Air Controls/Massage Selectors:</b> .....	4/2	
<b>Filter:</b> .....	MicroClean® Ultra Filtration System, 130 ft² (2 interlocking cartridge filters)	
<b>Water Treatment:</b> .....	Automatic Brominator and Dynamic Flow Circulation System; Factory installed CLEARARRAY Active Oxygen™ Clear Water System	
<b>Lighting:</b> .....	Multicolored LED Lighting System (1 Waterfall, 1 Footwell), Exterior Corner Lights, SunCooler Bin Lights, Seat Accent Lights	
<b>Synthetic Cabinet:</b> .....	Available in Coastal, Mahogany	
<b>Shell Colors:</b> .....	Platinum, Celestite (Gypsum), Monaco, Porcelain, Midnight	
<b>Headrests:</b> .....	3	
<b>Heater:</b> .....	Low Flow 5.5 kW With Titanium Element <b>Export (50 Hz): Low Flow 2.7 kW with Titanium Element</b>	
<b>Electrical Requirements:</b> .....	North America (60 Hz): 240 VAC@40A/50A or 60A; <b>Export (50 Hz): 230-240 VAC@1x20A, 1x16A/1x20A, 3x16A (see manual for more configurations); or Suitable Rated Circuit Breaker To Comply With Local Electrical Regulations. Certain Countries May Require 2 Power Inputs; Two GFCI/RCD Breakers are Required For This Configuration.</b>	
<b>Limited Warranty*:</b> .....	North America (60 Hz): 10 Years Shell, 7 Years Shell Surface, 5 Years Plumbing Component Leaks, 5 Years Equipment and Controls, 5 Years Cabinet, 5 Years Jets, 2 Years Lights, 1 Year Stereo <b>Export (50 Hz): 10 Years Shell, 7 Years Shell Surface, 5 Years Plumbing Component Leaks, 5 Years Equipment and Controls, 5 Years Cabinet, 5 Years Jets, 2 Years Lights, 2 Years Stereo</b>	
<b>Waterfall Feature:</b> .....	Adjustable Flow Rate; Colored Lighting	
<b>Audio System (Optional):</b> .....	Factory Installed BLUEWAVE® 2.0 Wireless Spa Stereo System with Auxiliary 3.5 mm headphone jack connection, Bluetooth® compatible, 4 premium speakers and a powered subwoofer	
<b>Special Features:</b> .....	Factory Installed SmartTub® module	

\*(See Warranty Document for Specific Details)

Dimensions/Specifications Subject To Change Without Notice

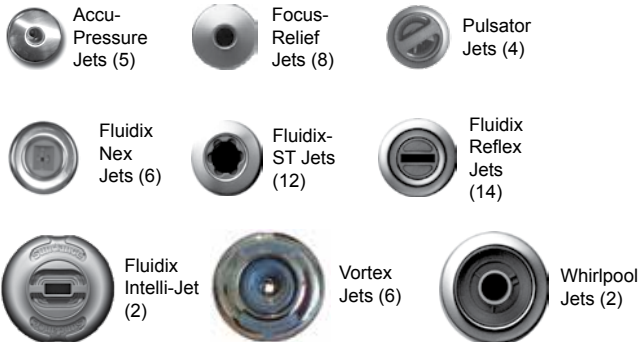
# Sundance Spas 980 Claremont

## Operation/Seat Depths



- (A)** Air Control - Activates Seat A Jets (2 Fluidix Nex, 6 Fluidix Reflex, 2 Pulsators, 2 Vortex Jets) - Also used when draining the SunCooler Bins in the close position.
- (B)** Massage Selector [Pump 2] - Adjusts Massage Level Between Seat A Jets and Footwell Jets
- (C)** AccuSage Seat Valve - Adjusts Water Flow for Seat C (2 Fluidix Nex, 12 Fluidix-ST, 2 Accu-Pressure Jets, 2 Pulsators)
- (D)** Air Control - Activates Seat C Jets (2 Fluidix Nex, 12 Fluidix-ST, 2 Accu-Pressure Jets, 2 Pulsators), Accu-Pressure Side Wall Jet
- (E)** Waterfall Selector [8-Hour Circ. Pump] - Controls Waterfall Output
- (F)** Air Control - Activates Seat B Jets (4 Fluidix Reflex), Seat D (2 Vortex Jets), Seat E Jets (2-Fluidix Nex, 4 Fluidix Reflex, 2 Fluidix Intelli-Jet, 2 Accu-Pressure Jets) and Seat F Jets (2 Vortex Jets)
- (G)** Massage Selector [Pump 1] - Adjusts Massage Level Between the Seat E Jets and Seat B Jets + Seat D Jets + Seat F Jets
- (H)** Air Control - Activates Footwell Jets (2 Whirlpool Jets)
- (I)** SunScents Dispenser (located under the SunCooler Lid)

### 59 Total Jets



- Jets Pump 3: Seat C and Footwell Dump Port
- Jets Pump 2: Seat A (2 Vortex Jets) are always on when this pump is running.
- Jets Pump 1: Seat E (2 Accu-Pressure Jets) + 1 Accu-Pressure Jet (Side Wall) in Seat F and SunCooler Perimeter Drains are always on when this pump is running.
- Focus-Relief Jets: Work with both the blower and Jets Pump 2. The blower introduces air to the jet and the Jets Pump forces water through.

Spa Operation Subject To Change Without Notice

## SEAT DEPTHS

- A = 26.00" (66.04 cm)**
- B = 21.50" (54.60 cm)**
- C = 26.75" (67.95 cm)**
- D = 21.00" (53.34 cm)**
- E = 24.50" (62.23 cm)**
- F = 20.50" (52.07 cm)**
- G = 7.00" (17.78 cm)**
- H = 30.50" (77.47 cm)**
- SunCooler Bin Depth**
- I = 13.50" (34.29 cm)**

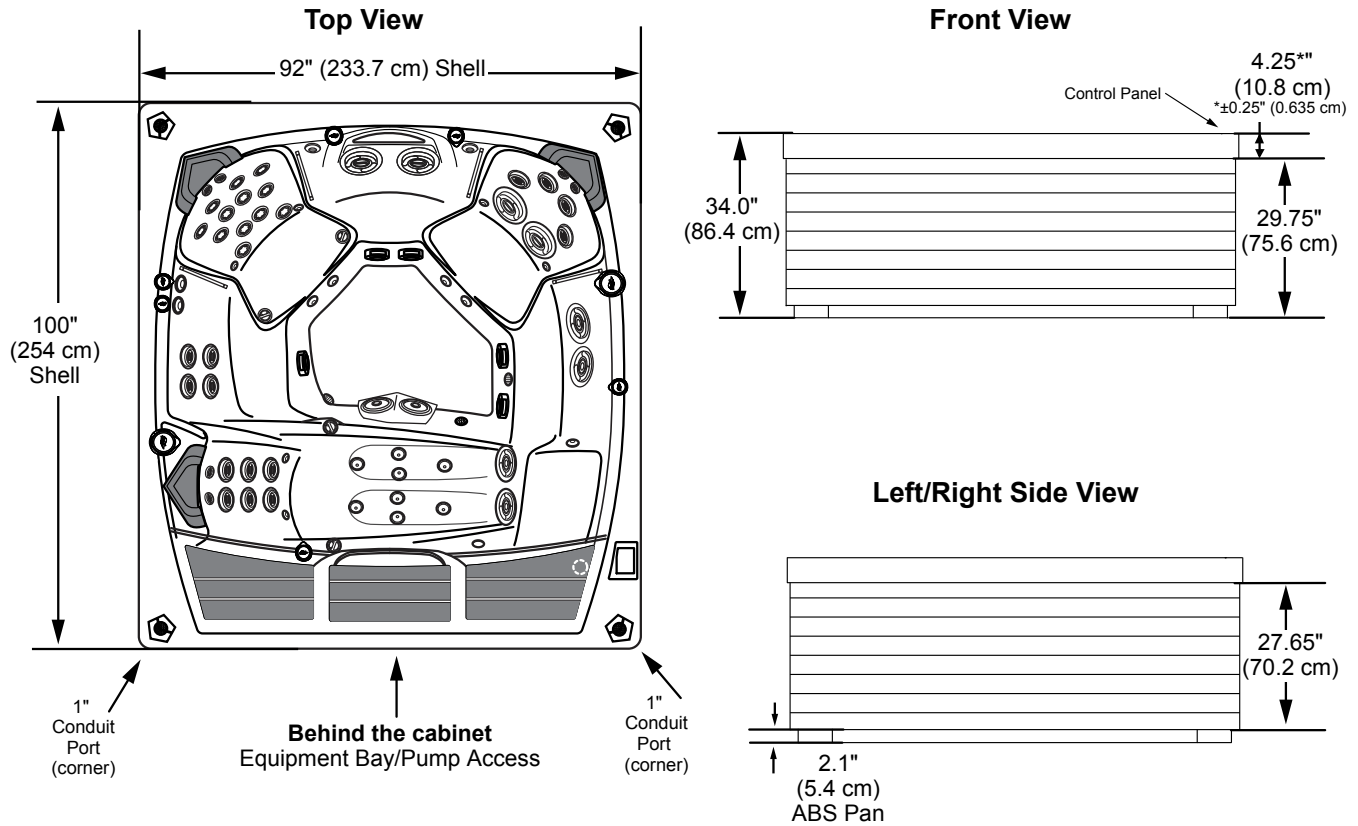
Listed dimensions represent distance from top of acrylic to lowest point in seat. **Tolerance ± 0.5" (1.27 cm).**



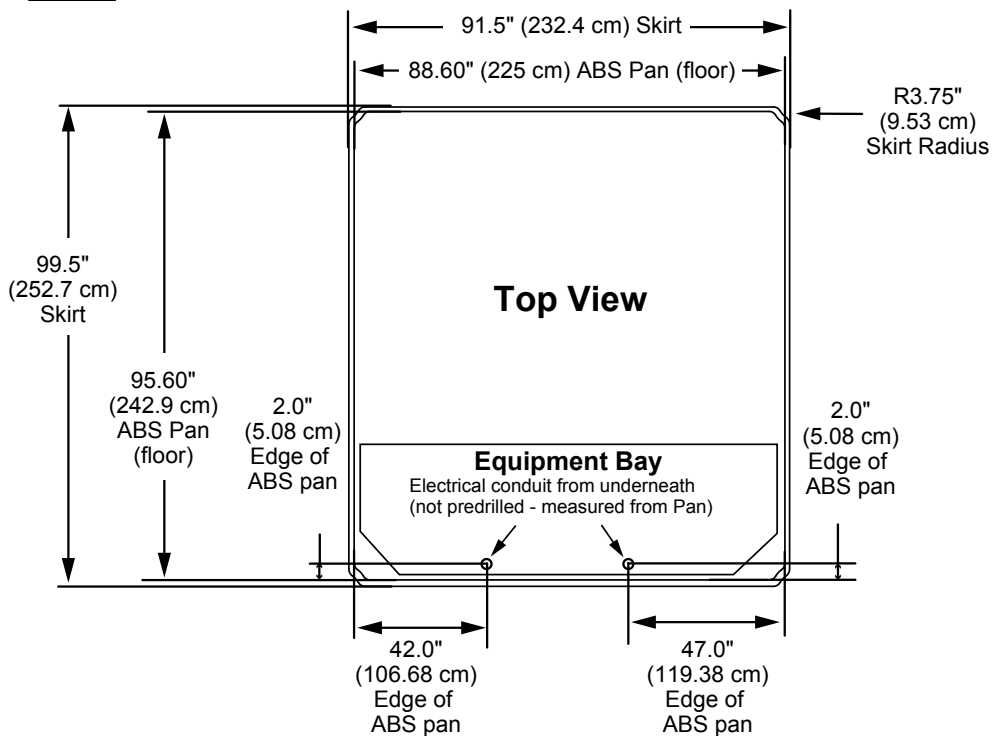
Dimensions/Specifications Subject To Change Without Notice

# Sundance Spas 980 Claremont

## Portable Dimensions



**IMPORTANT! Always measure each hot tub for exact dimensions BEFORE designing its foundational support and/or decking.**




**Dimensions/specifications subject to change without notice. Tolerance:  $\pm 0.5"$  (1.27 cm)**

Dimensions/Specifications Subject To Change Without Notice

# Sundance® Spas 980 Kingston™

## Specifications

<b>Dimensions:</b> .....	92" x 100" x 34" (233.7 cm x 254 cm x 86.4 cm)	
<b>Perimeter</b> .....	384" (975.4 cm)	
<b>Seating Capacity:</b> .....	6-7 Adults	
<b>Dry Weight:</b> .....	1,048 lbs (475 kg)	
<b>Filled Weight (Spa Volume):</b> .....	5,310 lbs (2,408 kg)	
<b>Filled Weight (Average Fill):</b> .....	4,392 lbs (1,992 kg)	
<b>Water Capacity (Spa Volume):</b> .....	511 US Gal (1,934 Liters)	
<b>Water Capacity (Average Fill):</b> .....	401 US Gal (1,518 Liters)	
<b>Controls:</b> .....	980 iTouch™ Glass Interface LCD Control, Displays Temperature, Time, Cycles and Jet/Air System Control. Offers Customizing of Filtration Cycles, Lighting, Water Temperature Setting and other features	
<b>Water Delivery:</b> .....	3 TheraMax High-Flow Pumps and 8-Hour Dynamic Flow Circulation System	
<b>Pump 1:</b> .....	North America (60 Hz): 1-Speed/2.5 HP Continuous, 11.3A Max., 56 Frame <b>Export (50 Hz): 1-Speed/2.0 HP Continuous, 7A Max.</b>	
<b>Pump 2:</b> .....	North America (60 Hz): 1-Speed/2.5 HP Continuous, 11.3A Max., 56 Frame <b>Export (50 Hz): 1-Speed/2.0 HP Continuous, 7A Max.</b>	
<b>Pump 3:</b> .....	North America (60 Hz): 1-Speed/2.5 HP Continuous, 11.3A Max., 56 Frame <b>Export (50 Hz): 1-Speed/2.0 HP Continuous, 7A Max.</b>	
<b>Pump 4:</b> .....	High-Output Dynamic Flow, 24-Hour programmable, factory default set to 8-Hour Filter/Circulation Pump (35 gpm) Programmable for Daily Start Time and Duration	
<b>Total Hydrojets:</b> .....	57	
<b>Seat A Jets:</b> .....	6 Fluidix Reflex	
<b>Seat B Jets:</b> .....	4 Fluidix Reflex	
<b>Seat C Jets:</b> .....	12 Fluidix-ST, 2 Fluidix Nex, 2 Pulsator, 2 Accu-Pressure	
<b>Seat D Jets:</b> .....	1 Vortex	
<b>Seat E Jets:</b> .....	2 Fluidix Nex, 4 Fluidix Reflex, 2 Fluidix Intelli-Jet, 2 Pulsator, 2 Accu-Pressure	
<b>Seat F Jets:</b> .....	2 Vortex	
<b>Seat G Jets:</b> .....	4 Vortex	
<b>Footwell Jets (H):</b> .....	8 Accu-Pressure, 1 Accu-Pressure (sidewall), 1 Vortex	
<b>Air Blower:</b> .....	High-efficiency, 1-Speed	
<b>Aromatherapy Delivery:</b> .....	12 Silent Air® Injector Jets with Quiet High Speed Air Pump	
<b>Air Controls/Massage Selectors:</b> .....	4/2	
<b>Filter:</b> .....	MicroClean® Ultra Filtration System, 130 ft² (2 interlocking cartridge filters)	
<b>Water Treatment:</b> .....	Automatic Brominator and Dynamic Flow Circulation System; Factory installed CLEARRAY Active Oxygen™ Clear Water System	
<b>Lighting:</b> .....	Multicolored LED Lighting System (1 Waterfall, 1 Footwell), Exterior Corner Lights, SunCooler Bin Lights, Seat Accent Lights	
<b>Synthetic Cabinet:</b> .....	Available in Coastal, Mahogany	
<b>Shell Colors:</b> .....	Platinum, Celestite (Gypsum), Monaco, Porcelain, Midnight	
<b>Headrests:</b> .....	4	
<b>Heater:</b> .....	Low Flow 5.5 kW With Titanium Element <b>Export (50 Hz): Low Flow 2.7 kW with Titanium Element</b>	
<b>Electrical Requirements:</b> .....	North America (60 Hz): 240 VAC@40A/50A or 60A; <b>Export (50 Hz): 230-240 VAC@1x20A, 1x16A/1x20A, 3x16A (see manual for more configurations); or Suitable Rated Circuit Breaker To Comply With Local Electrical Regulations. Certain Countries May Require 2 Power Inputs; Two GFCI/RCD Breakers are Required For This Configuration.</b>	
<b>Limited Warranty*:</b> .....	North America (60 Hz): 10 Years Shell, 7 Years Shell Surface, 5 Years Plumbing Component Leaks, 5 Years Equipment and Controls, 5 Years Cabinet, 5 Years Jets, 2 Years Lights, 1 Year Stereo <b>Export (50 Hz): 10 Years Shell, 7 Years Shell Surface, 5 Years Plumbing Component Leaks, 5 Years Equipment and Controls, 5 Years Cabinet, 5 Years Jets, 2 Years Lights, 2 Years Stereo</b>	
<b>Waterfall Feature:</b> .....	Adjustable Flow Rate; Colored Lighting	
<b>Audio System (Optional):</b> .....	Factory Installed BLUEWAVE® 2.0 Wireless Spa Stereo System with Auxiliary 3.5 mm headphone jack connection, Bluetooth® compatible, 4 premium speakers and a powered subwoofer	
<b>Special Features:</b> .....	Factory Installed SmartTub® module	

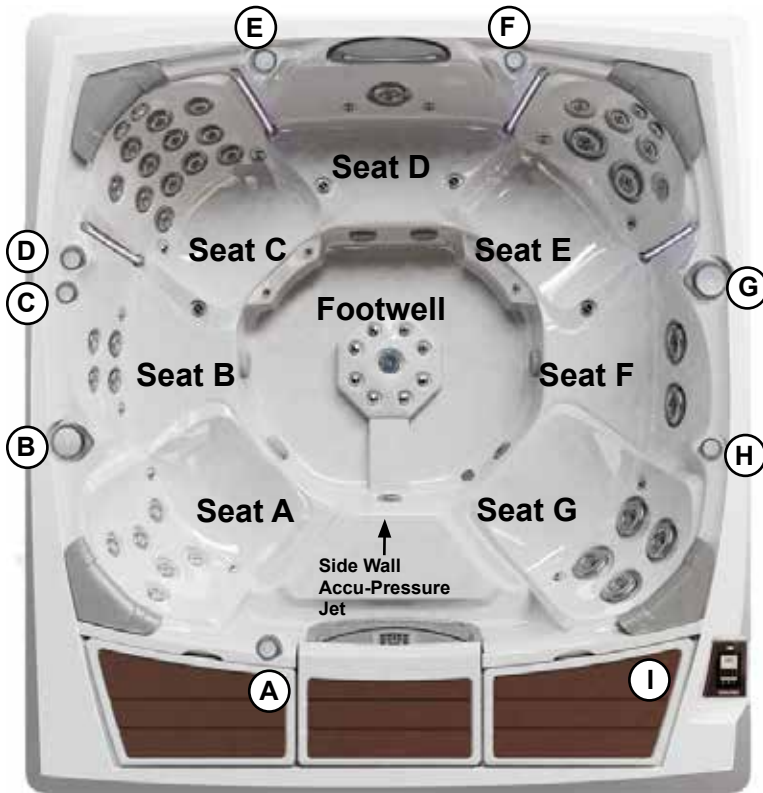
\*(See Warranty Document for Specific Details)

Dimensions/Specifications Subject To Change Without Notice



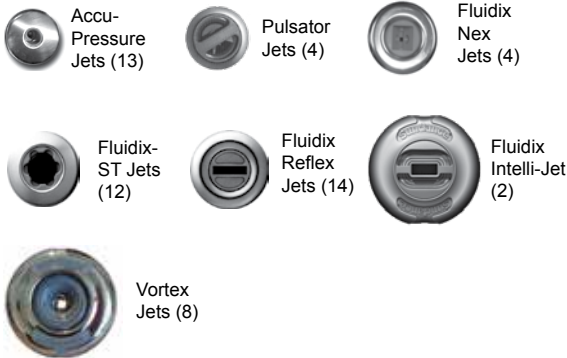
# Sundance Spas 980 Kingston

## Operation/Seat Depths



- (A)** Air Control - Activates Seat A Jets (6 Fluidix Reflex), Seat B Jets (4 Fluidix Reflex), Seat F Jets (2 Vortex), Seat D Jets (1 Vortex), and Footwell (2 Accu-Pressure, 1 Vortex) - Also used when draining the SunCooler Bins in the close position.
- (B)** Massage Selector [Pump 2] - Adjusts Massage Level Between Seat A Jets + 2 Footwell (2 Accu-Pressure) and Seat B Jets (2 Lower Fluidix Reflex) + Seat D Jets + Seat F Jets
- (C)** AccuSage Seat Valve - Adjusts Water Flow for Seat C (2 Fluidix Nex, 12 Fluidix-ST, 2 Accu-Pressure Jets, 2 Pulsators) + Footwell (2 Accu-Pressure)
- (D)** Air Control - Activates Seat C Jets (2 Fluidix Nex, 12 Fluidix Reflex, 2 Pulsators, 2 Accu-Pressure) and Footwell (2 Accu-Pressure)
- (E)** Waterfall Selector [8-Hour Circ. Pump] - Controls Waterfall Output
- (F)** Air Control - Activates Seat E Jets (2 Fluidix Nex, 4 Fluidix Reflex, 2 Fluidix Intelli-Jet, 2 Pulsators, 2 Accu-Pressure) and Footwell (2 Accu-Pressure)
- (G)** Massage Selector [Pump 1] - Adjusts Massage Level Between the Seat E Jets + Seat G Jets and Footwell (2 Accu-Pressure) + Footwell (2 Accu-Pressure)
- (H)** Air Control - Activates Seat G Jets (4 Vortex) and Footwell (2 Accu-Pressure)
- (I)** SunScents Dispenser

### 57 Total Jets



- Jets Pump 3: Seat C Jets + 2 Footwell Jets (2 Accu-Pressure)
- Jets Pump 2: Seat B (2 Upper Fluidix Reflex Jets) + Center Footwell Jet (1 Vortex) are always on when this pump is running.
- Jets Pump 1: Footwell Upper Right (2 Accu-Pressure Jets) + 1 Accu-Pressure Jet (Side Wall) in Footwell and SunCooler Perimeter Drains are always on when this pump is running.

Spa Operation Subject To Change Without Notice

## SEAT DEPTHS

<b>A = 23.25" (59.01 cm)</b>	<b>G = 22.00" (55.88 cm)</b>
<b>B = 21.00" (53.34 cm)</b>	<b>H = 17.00" (43.18 cm)</b>
<b>C = 26.00" (66.04 cm)</b>	<b>I = 29.25" (74.30 cm)</b>
<b>D = 20.50" (52.07 cm)</b>	
<b>E = 24.25" (61.60 cm)</b>	<b>SunCooler Bin Depth</b>
<b>F = 20.00" (50.80 cm)</b>	<b>J = 13.50" (34.29 cm)</b>

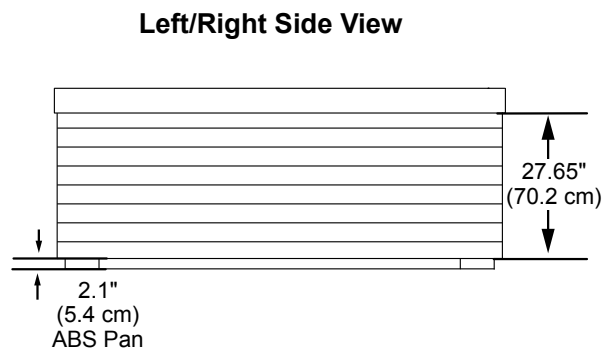
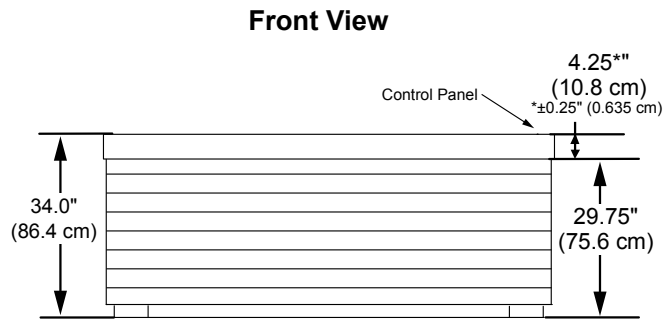
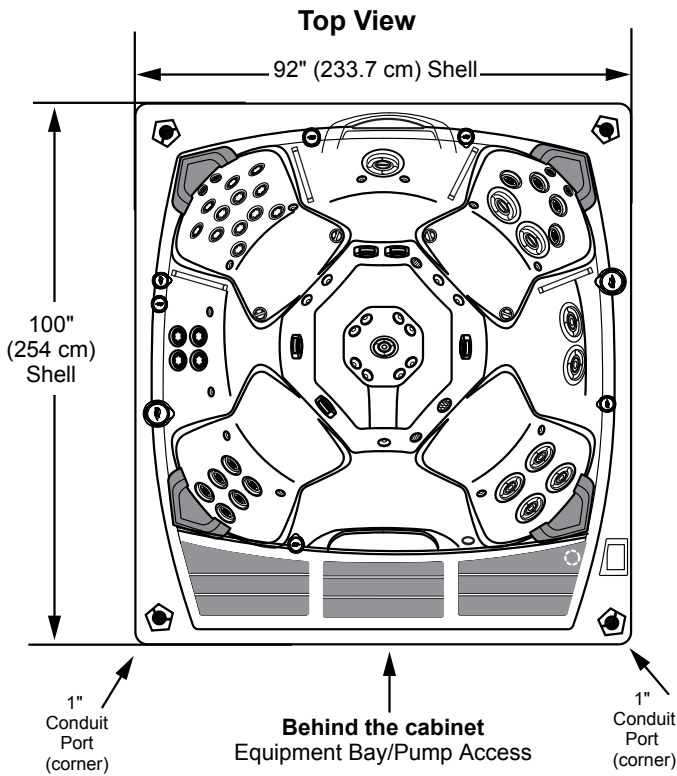
Listed dimensions represent distance from top of acrylic to lowest point in seat. **Tolerance ± 0.5" (1.27 cm).**



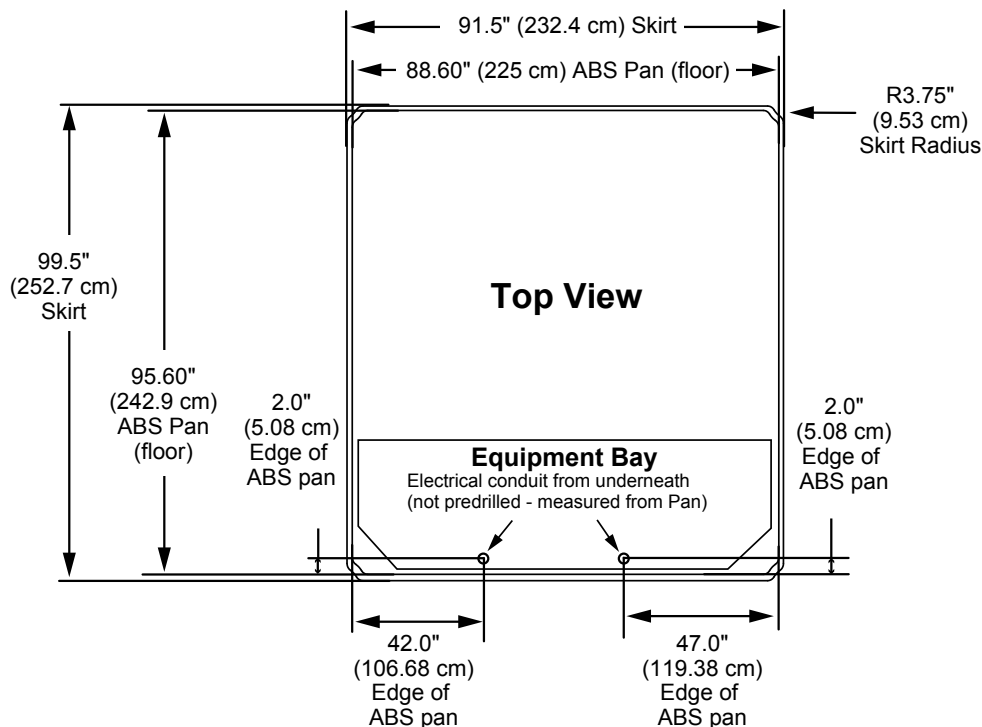
Dimensions/Specifications Subject To Change Without Notice

# Sundance Spas 980 Kingston

## Portable Dimensions



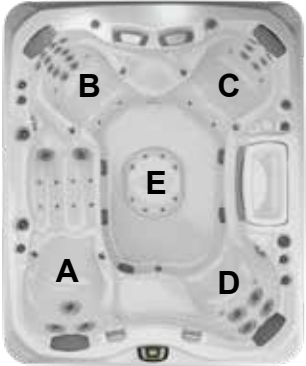
**IMPORTANT! Always measure each hot tub for exact dimensions BEFORE designing its foundational support and/or decking.**



**Dimensions/specifications subject to change without notice. Tolerance:  $\pm 0.5"$  (1.27 cm)**

Dimensions/Specifications Subject To Change Without Notice

# Sundance® Spas 880™ Maxxus™ Specifications

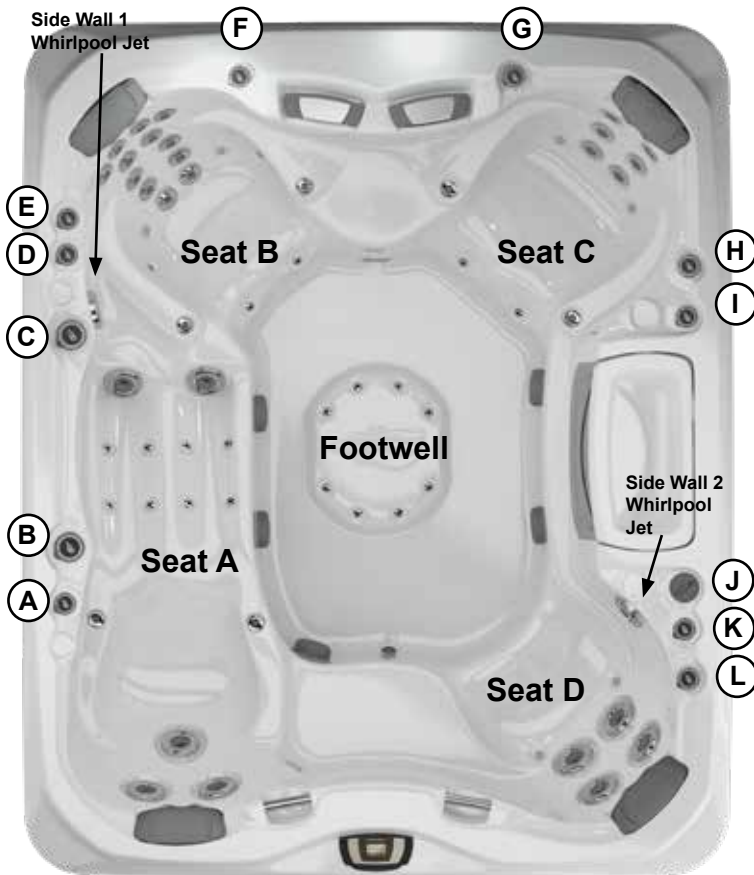
<b>Dimensions:</b> .....	91" x 110" x 41.5" (231.14 cm x 279.4 cm x 105.41 cm)	
<b>Perimeter</b> .....	402" (1021.1 cm)	
<b>Seating Capacity:</b> .....	6 Adults	
<b>Dry Weight:</b> .....	1,143 lbs (518.5 kg)	
<b>Filled Weight (Spa Volume):</b> .....	6,898 lbs (3,129 kg)	
<b>Filled Weight (Average Fill):</b> .....	5,647 lbs (2,561 kg)	
<b>Water Capacity (Spa Volume):</b> .....	690 US Gal (2,612 Liters)	
<b>Water Capacity (Average Fill):</b> .....	540 US Gal (2,044 Liters)	
<b>Controls:</b> .....	880 iTouch Interface LCD Control, Displays Temperature, Time, Cycles and Jet/Air System Control. Offers Customizing of Filtration Cycles, Lighting, Water Temperature Setting and other features	
<b>Water Delivery:</b> .....	3 TheraMax High-Flow Pumps and 8-Hour Dynamic Flow Circulation System	
<b>Pump 1:</b> .....	North America (60 Hz): 1-Speed/2.5 HP Continuous, 11.3A Max., 56 Frame <b>Export (50 Hz): 1-Speed/2.0 HP Continuous, 7A Max.</b>	
<b>Pump 2:</b> .....	North America (60 Hz): 1-Speed/2.5 HP Continuous, 11.3A Max., 56 Frame <b>Export (50 Hz): 1-Speed/2.0 HP Continuous, 7A Max.</b>	
<b>Pump 3:</b> .....	North America (60 Hz): 1-Speed/2.5 HP Continuous, 11.3A Max., 56 Frame <b>Export (50 Hz): 1-Speed/2.0 HP Continuous, 7A Max.</b>	
<b>Pump 4:</b> .....	High-Output Dynamic Flow, 24-Hour programmable, factory default set to 8-Hour Filter/Circulation Pump (35 gpm) Programmable for Daily Start Time and Duration	
<b>Total Hydrojets:</b> .....	<b>65</b>	
<b>Seat A Jets:</b> .....	2 Fluidix Intelli-Jet, 2 Fluidix Nex, 2 Pulsator, 8 Focus-Relief®, 3 Vortex	
<b>Seat B Jets:</b> .....	12 Fluidix-ST, 2 Fluidix Nex, 2 Pulsator, 4 Accu-Pressure, 1 Whirlpool (sidewall)	
<b>Seat C Jets:</b> .....	6 Fluidix Reflex, 2 Fluidix Nex, 2 Pulsator, 2 Accu-Pressure	
<b>Seat D Jets:</b> .....	4 Vortex, 2 Fluidix Nex, 1 Whirlpool (sidewall)	
<b>Footwell Jets (E):</b> .....	8 Accu-Pressure	
<b>Air Blower:</b> .....	High-efficiency, 1-Speed	
<b>Aromatherapy Delivery:</b> .....	6 Silent Air® Injector Jets with Quiet High Speed Air Pump	
<b>Air Controls/Massage Selectors:</b> .....	8/2 (Standard air control with LED lights and massage selector with LED lights)	
<b>Filter:</b> .....	MicroClean® Ultra Filtration System, 130 ft² (2 interlocking cartridge filters)	
<b>Water Treatment:</b> .....	Automatic Brominator and Dynamic Flow Circulation System; Factory installed CLEARRAY Active Oxygen™ Clear Water System	
<b>Lighting:</b> .....	Multicolored LED Lighting System (2 Waterfall, 2 Footwell, 8 Air controls, 2 Massage Selectors, 2 Backlit handrails, Exterior lights)	
<b>Skirt Cabinet (SunSide™):</b> .....	Modern Hardwood, Brushed Gray and Vintage Oak (Equipped with Standard Exterior Lights)	
<b>Shell Colors:</b> .....	Platinum, Celestite (Gypsum), Monaco, Midnight, Porcelain	
<b>Handrails:</b> .....	Two High Quality Stainless Steel with backlit LED lighting	
<b>ComfortTone Headrests:</b> .....	Four, 1-Piece Gray	
<b>Heater:</b> .....	Low Flow 5.5 kW With Titanium Element <b>Export (50 Hz): Low Flow 5.5 kW with Titanium Element</b>	
<b>Electrical Requirements:</b> .....	North America (60 Hz): 240 VAC@50A or 60A; <b>Export (50 Hz): 230-240 VAC@1x40A, 2x25A, 1x25A/1x32A (see manual for more configurations); or Suitable Rated Circuit Breaker To Comply With Local Electrical Regulations. Certain Countries May Require 2 Power Inputs; Two GFCI/RCD Breakers are Required For This Configuration.</b>	
<b>Limited Warranty*:</b> .....	North America (60 Hz): 10 Years Shell, 7 Years Shell Surface, 5 Years Plumbing Component Leaks, 5 Years Equipment and Controls, 5 Years Cabinet, 5 Years Jets, 2 Years Lights, 1 Year Stereo <b>Export (50 Hz): 10 Years Shell, 7 Years Shell Surface, 5 Years Plumbing Component Leaks, 5 Years Equipment and Controls, 5 Years Cabinet, 5 Years Jets, 2 Years Lights, 2 Years Stereo</b>	
<b>Waterfall Feature:</b> .....	Adjustable Flow Rate; Colored Lighting	
<b>Audio System (Optional):</b> .....	Factory Installed BLUEWAVE® 2.0 Wireless Spa Stereo System with Auxiliary 3.5 mm headphone jack connection, Bluetooth® compatible, 4 premium speakers and a powered subwoofer	
<b>Special Features:</b> .....	MicroClean® Plus Versatile Filter Lid, <b>Optional</b> Filter Lid Pillow seat, <b>Optional</b> (Factory Installed) SmartTub® Module	

\*(See Warranty Document for Specific Details)

Dimensions/Specifications Subject To Change Without Notice

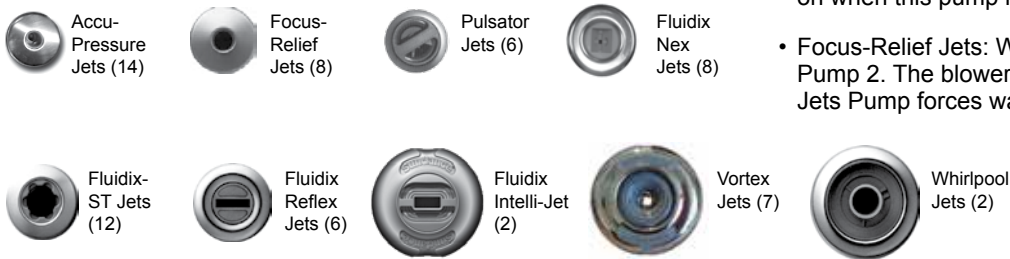
# Sundance Spas 880 Maxxus

## Operation/Seat Depths



- (A)** Air Control - Activates Seat A Jets (2 Fluidix Intelli-Jet, 2 Fluidix Nex, 2 Pulsators, 3 Vortex)
- (B)** Massage Selector [Pump 2] - Adjusts Massage Level Between Seat A Jets and Seat D Jets
- (C)** Massage Selector [Pump 3] - Adjusts Massage Level Between the Seat B Jets + both Wrist Jets and Lower 4 Accu-Pressure Jets + both Side Wall Whirlpool Jets
- (D)** Air Control - Activates Mid Seat B Jets (6 Fluidix-ST, 2 Pulsators)
- (E)** Air Control - Activates Upper Seat B Jets (2 Fluidix Nex, 6 Fluidix-ST)
- (F)** Air Control - Activates Lower Seat B Jets (4 Accu-Pressure) and Side Wall 1 Whirlpool Jet
- (G)** Air Control - Activates Center Footwell Jets (8 Accu-Pressure)
- (H)** Waterfall Selector [8-Hour Circ. Pump] - Controls Waterfall Output
- (I)** Air Control - Activates Seat C Jets (2 Fluidix Nex, 2 Pulsators, 6 Fluidix Reflex, 2 Accu-Pressure)
- (J)** SunScents Dispenser
- (K)** Air Control - Activates Side Wall 2 Whirlpool Jet in Seat D
- (L)** Air Control - Activates Seat D Jets (4 Vortex, 2 Fluidix Nex)

### 65 Total Jets



- Jets Pump 1: Seat C Jets and Footwell Jets are always on when this pump is running
- Focus-Relief Jets: Work with both the blower and Jets Pump 2. The blower introduces air to the jet and the Jets Pump forces water through.

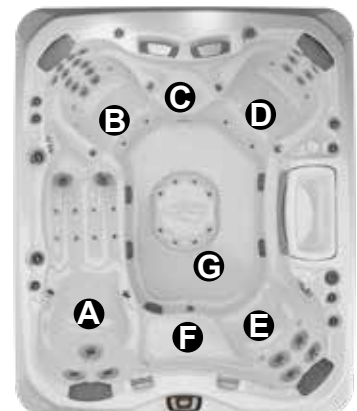
Spa Operation Subject To Change Without Notice

## SEAT DEPTHS

**A = 26.00" (66.04 cm)**  
**B = 27.00" (68.58 cm)**  
**C = 20.00" (50.80 cm)**  
**D = 25.50" (64.77 cm)**

**E = 26.00" (66.04 cm)**  
**F = 21.00" (53.34 cm)**  
**G = 35.00" (88.90 cm)**

Listed dimensions represent distance from top of acrylic to lowest point in seat. **Tolerance ± 0.5" (1.27 cm).**

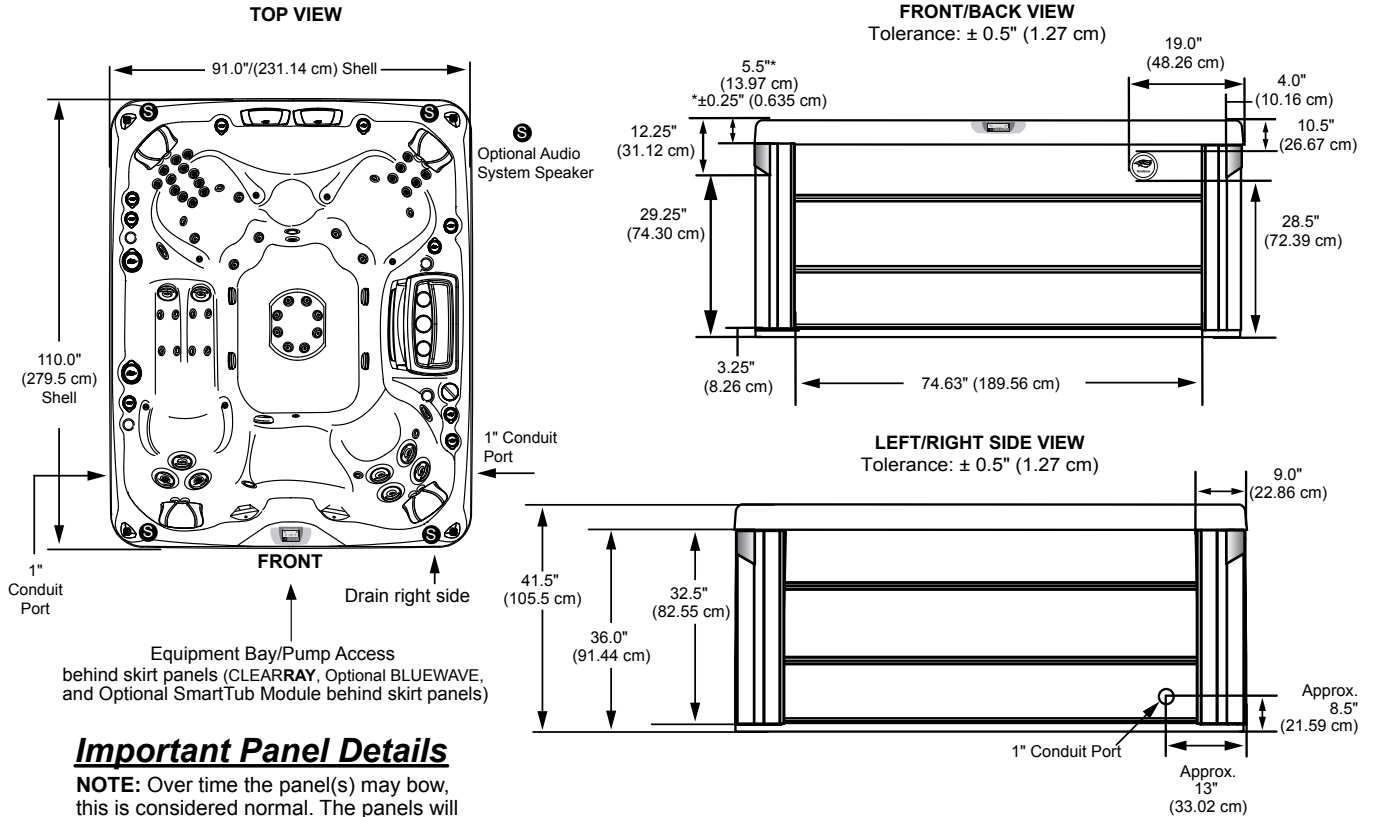


Dimensions/Specifications Subject To Change Without Notice



# Sundance Spas 880 Maxxus

## Portable Dimensions

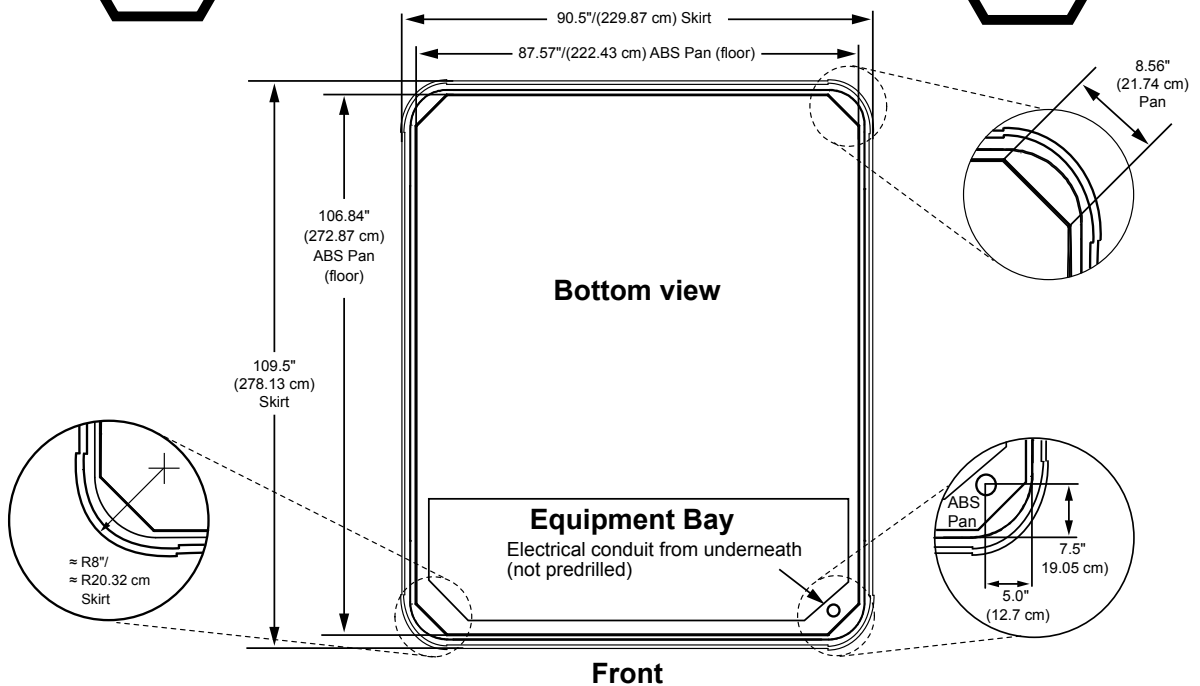


### Important Panel Details

**NOTE:** Over time the panel(s) may bow, this is considered normal. The panels will straighten out when reinstalled into the mounting channel. Place one end of the panel into the channel first then flatten the panel and insert the other end.



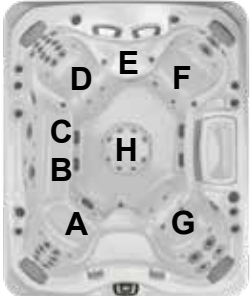
**IMPORTANT! Always measure each hot tub for exact dimensions BEFORE designing its foundational support and/or decking.**



Dimensions/Specifications Subject To Change Without Notice

# Sundance® Spas 880 Aspen®

## Specifications

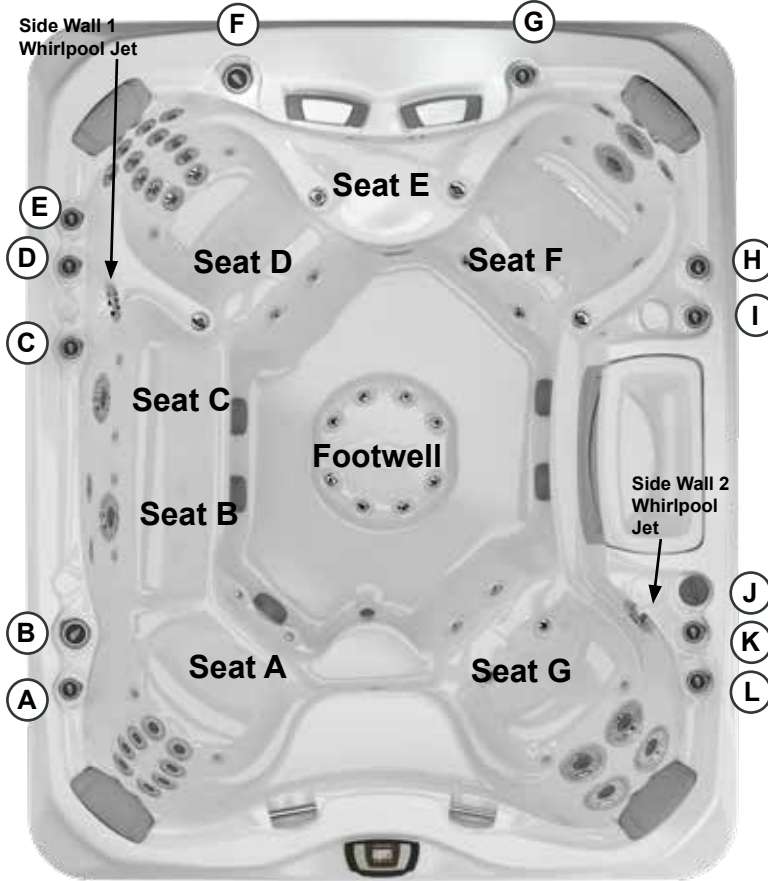
<b>Dimensions:</b> .....	91" x 110" x 41.5" (231.14 cm x 279.4 cm x 105.41 cm)	
<b>Perimeter:</b> .....	402" (1021.1 cm)	
<b>Seating Capacity:</b> .....	7-8 Adults	
<b>Dry Weight:</b> .....	1,154 lbs (523 kg)	
<b>Filled Weight (Spa Volume):</b> .....	6,784 lbs (3,077 kg)	
<b>Filled Weight (Average Fill):</b> .....	5,491 lbs (2,491 kg)	
<b>Water Capacity (Spa Volume):</b> .....	675 US Gal (2,555 Liters)	
<b>Water Capacity (Average Fill):</b> .....	520 US Gal (1,968 Liters)	
<b>Controls:</b> .....	880 iTouch Interface LCD Control, Displays Temperature, Time, Cycles and Jet/Air System Control. Offers Customizing of Filtration Cycles, Lighting, Water Temperature Setting and other features	
<b>Water Delivery:</b> .....	3 TheraMax High-Flow Pumps and 8-Hour Dynamic Flow Circulation System	
<b>Pump 1:</b> .....	North America (60 Hz): 1-Speed/2.5 HP Continuous, 11.3A Max., 56 Frame <b>Export (50 Hz): 1-Speed/2.0 HP Continuous, 7A Max.</b>	
<b>Pump 2:</b> .....	North America (60 Hz): 1-Speed/2.5 HP Continuous, 11.3A Max., 56 Frame <b>Export (50 Hz): 1-Speed/2.0 HP Continuous, 7A Max.</b>	
<b>Pump 3:</b> .....	North America (60 Hz): 1-Speed/2.5 HP Continuous, 11.3A Max., 56 Frame <b>Export (50 Hz): 1-Speed/2.0 HP Continuous, 7A Max.</b>	
<b>Pump 4:</b> .....	High-Output Dynamic Flow, 24-Hour programmable, factory default set to 8-Hour Filter/Circulation Pump (35 gpm) Programmable for Daily Start Time and Duration	
<b>Total Hydrojets:</b> .....	<b>66</b>	
<b>Seat A Jets:</b> .....	2 Fluidix Nex, 8 Fluidix Reflex	
<b>Seat B Jets:</b> .....	2 Fluidix Reflex, 1 Fluidix Intelli-Jet	
<b>Seat C Jets:</b> .....	1 Fluidix Intelli-Jet	
<b>Seat D Jets:</b> .....	2 Fluidix Nex, 12 Fluidix ST, 2 Pulsator, 2 Accu-Pressure, 1 Whirlpool (sidewall)	
<b>Seat E Jets:</b> .....	2 Fluidix Reflex	
<b>Seat F Jets:</b> .....	2 Fluidix Nex, 2 Fluidix Reflex, 2 Fluidix Intelli-Jet, 2 Pulsator, 4 Accu-Pressure	
<b>Seat G Jets:</b> .....	2 Fluidix Nex, 2 Vortex, 2 Fluidix Intelli-Jet, 4 Accu-Pressure, 1 Whirlpool (sidewall)	
<b>Footwell Jets (H):</b> .....	8 Accu-Pressure	
<b>Air Blower:</b> .....	High-efficiency, 1-Speed	
<b>Aromatherapy Delivery:</b> .....	14 Silent Air® Injector Jets with Quiet High Speed Air Pump	
<b>Air Controls/Massage Selectors:</b> .....	8/2 (Standard air control with LED lights and massage selector with LED lights)	
<b>Filter:</b> .....	MicroClean® Ultra Filtration System, 130 ft <sup>2</sup> (2 interlocking cartridge filters)	
<b>Water Treatment:</b> .....	Automatic Brominator and Dynamic Flow Circulation System; Factory installed CLEARRAY Active Oxygen™ Clear Water System	
<b>Lighting:</b> .....	Multicolored Sunglow LED Lighting System (2 Waterfall, 2 Footwell, 8 Air controls, 2 Massage Selectors, 2 Backlit handrails, Exterior lights)	
<b>Skirt Cabinet (SunSide™):</b> .....	Modern Hardwood, Brushed Gray and Vintage Oak (Equipped with Standard Exterior Lights)	
<b>Shell Colors:</b> .....	Platinum, Celestite (Gypsum), Monaco, Midnight, Porcelain	
<b>Handrails:</b> .....	Two High Quality Stainless Steel with backlit LED lighting	
<b>ComfortTone Headrests:</b> .....	Four, 1-Piece Gray	
<b>Heater:</b> .....	Low Flow 5.5 kW With Titanium Element <b>Export (50 Hz): Low Flow 5.5 kW with Titanium Element</b>	
<b>Electrical Requirements:</b> .....	North America (60 Hz): 240 VAC@50A or 60A; <b>Export (50 Hz): 230-240 VAC@1x40A, 2x25A, 1x25A/1x32A (see manual for more configurations); or Suitable Rated Circuit Breaker To Comply With Local Electrical Regulations. Certain Countries May Require 2 Power Inputs; Two GFCI/RCD Breakers are Required For This Configuration.</b>	
<b>Limited Warranty*:</b> .....	North America (60 Hz): 10 Years Shell, 7 Years Shell Surface, 5 Years Plumbing Component Leaks, 5 Years Equipment and Controls, 5 Years Cabinet, 5 Years Jets, 2 Years Lights, 1 Year Stereo <b>Export (50 Hz): 10 Years Shell, 7 Years Shell Surface, 5 Years Plumbing Component Leaks, 5 Years Equipment and Controls, 5 Years Cabinet, 5 Years Jets, 2 Years Lights, 2 Years Stereo</b>	
<b>Waterfall Feature:</b> .....	Adjustable Flow Rate; Colored Lighting	
<b>Audio System (Optional):</b> .....	Factory Installed BLUEWAVE® 2.0 Wireless Spa Stereo System with Auxiliary 3.5 mm headphone jack connection, Bluetooth® compatible, 4 premium speakers and a powered subwoofer	
<b>Special Features:</b> .....	MicroClean® Plus Versatile Filter Lid, <b>Optional</b> Filter Lid Pillow seat, <b>Optional</b> (Factory Installed) SmartTub® Module	

\*(See Warranty Document for Specific Details)

Dimensions/Specifications Subject To Change Without Notice

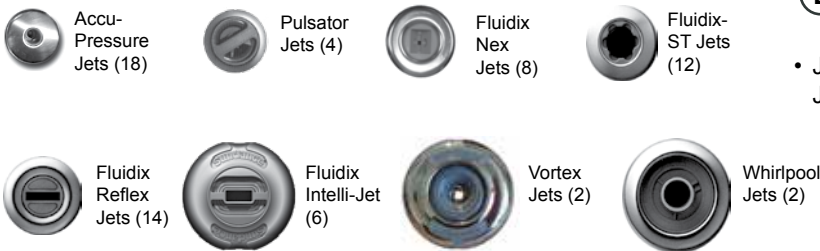
# Sundance Spas 880 Aspen

## Operation/Seat Depths



- (A)** Air Control - Activates Seat A Jets (2 Fluidix Nex, 8 Fluidix Reflex), Seat B Jets ( 2 Fluidix Reflex, 1 Fluidix Intelli-Jet) and Seat C Jet (1 Fluidix Intelli-Jet)
- (B)** Massage Selector [Pump 1] - Adjusts Massage Level Between Seat A Jets + Seat B Jets + Seat C Jets and both Side Wall Whirlpool Jets
- (C)** Air Control - Activates Side Wall 1 Whirlpool Jet
- (D)** Air Control - Activates Lower Seat D Jets (6 Fluidix-ST, 2 Pulsators, 2 Accu-Pressure)
- (E)** Air Control - Activates Upper Seat D Jets (2 Fluidix Nex, 6 Fluidix-ST)
- (F)** Massage Selector [Pump 2] - Adjusts Massage Level Between Seat D Jets and Seat G Jets
- (G)** Air Control - Activates Seat E (2 Fluidix Reflex) + Seat F Jets (2 Fluidix Nex, 2 Fluidix Reflex, 2 Fluidix Intelli-Jets, 2 Pulsators, 4 Accu-Pressure)
- (H)** Waterfall Selector [8-Hour Circ. Pump] - Controls Waterfall Output
- (I)** Air Control - Activates Center Footwell Jets (8 Accu-Pressure)
- (J)** SunScents Dispenser
- (K)** Air Control - Activates Side Wall 2 Whirlpool Jet
- (L)** Air Control - Activates Seat G Jets (2 Fluidix Nex, 2 Vortex, 2 Fluidix Intelli-Jet, 4 Accu-Pressure)

### 66 Total Jets



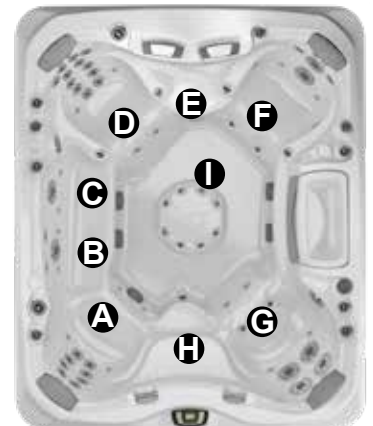
- Jets Pump 3: Seat E Jets, Seat F Jets and Footwell Jets are always on when this pump is running

Spa Operation Subject To Change Without Notice

## SEAT DEPTHS

- A = 26.50" (67.31 cm)**
- B = 26.00" (66.04 cm)**
- C = 26.00" (66.04 cm)**
- D = 27.63" (70.15 cm)**
- E = 21.38" (54.31 cm)**
- F = 26.50" (67.31 cm)**
- G = 25.75" (65.41 cm)**
- H = 16.38" (41.61 cm)**
- I = 36.00" (91.44 cm)**

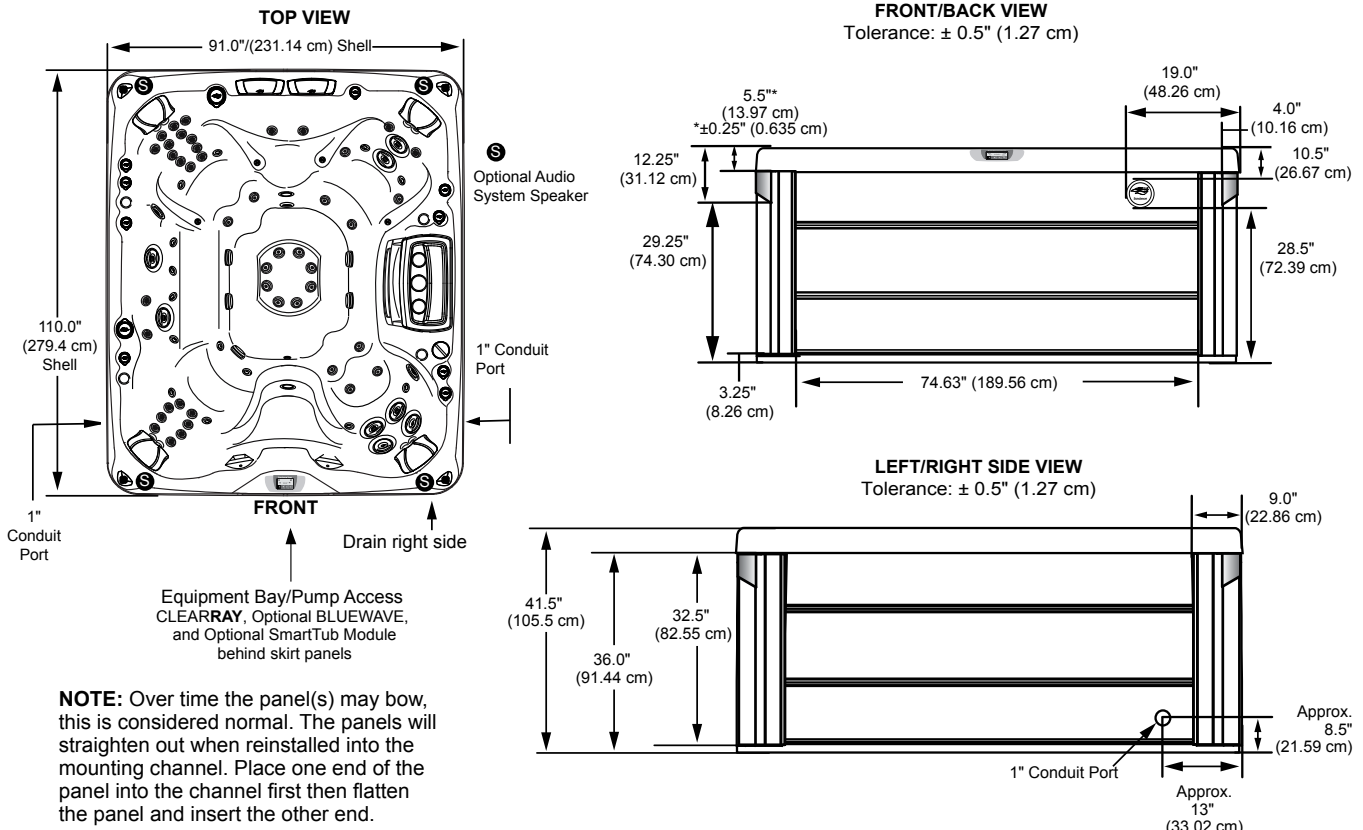
Listed dimensions represent distance from top of acrylic to lowest point in seat. **Tolerance ± 0.5" (1.27 cm).**



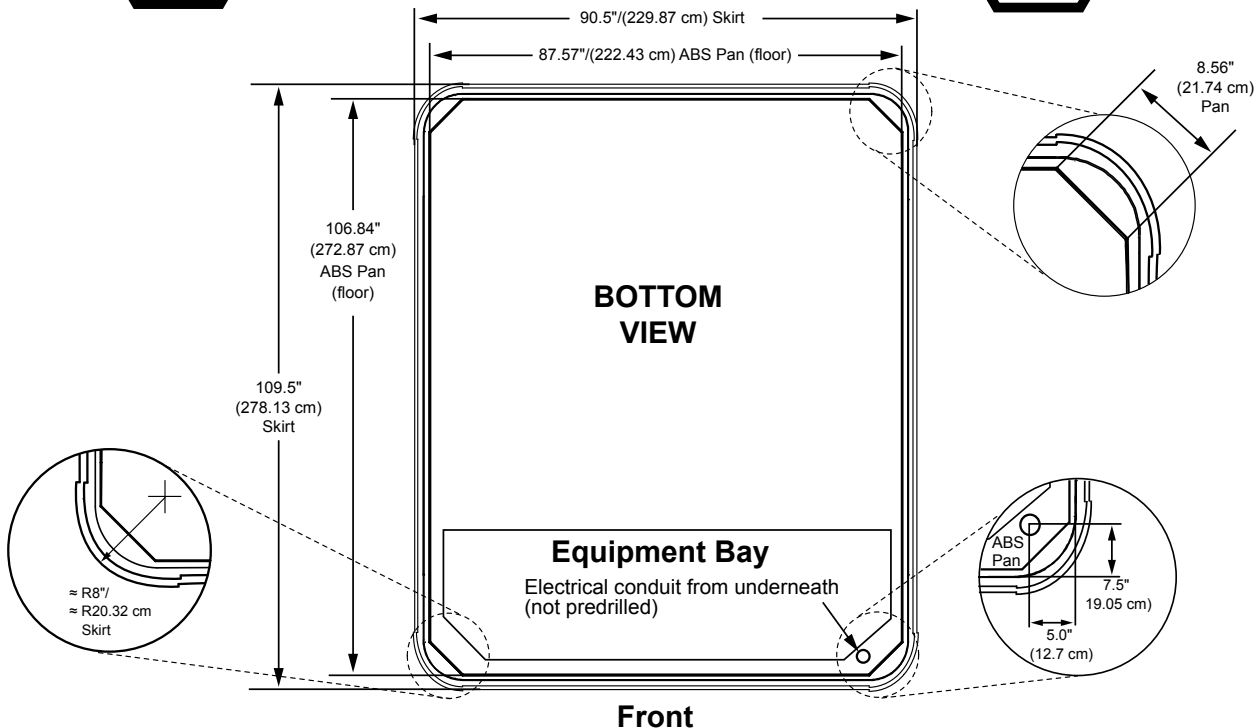
Dimensions/Specifications Subject To Change Without Notice

# Sundance Spas 880 Aspen

## Portable Dimensions



**IMPORTANT!** Always measure each hot tub for exact dimensions **BEFORE** designing its foundational support and/or decking.

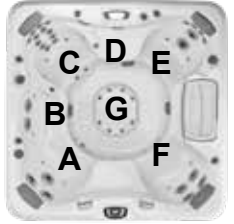


Dimensions/specifications subject to change without notice. Tolerance:  $\pm 0.5"$  (1.27 cm)

Dimensions/Specifications Subject To Change Without Notice

# Sundance® Spas 880 Optima®

## Specifications



<b>Dimensions:</b> .....	89" x 89" x 37.5" (226 cm x 226 cm x 95.25 cm)
<b>Perimeter</b> .....	356" (904.2 cm)
<b>Seating Capacity:</b> .....	6-7 Adults
<b>Dry Weight:</b> .....	924 lbs (419 kg)
<b>Filled Weight (Spa Volume):</b> .....	5,344 lbs (2,424 kg)
<b>Filled Weight (Average Fill):</b> .....	4,343 lbs (1,970 kg)
<b>Water Capacity (Spa Volume):</b> .....	530 US Gal (2,006 Liters)
<b>Water Capacity (Average Fill):</b> .....	410 US Gal (1,552 Liters)
<b>Controls:</b> .....	880 iTouch Interface LCD Control, Displays Temperature, Time, Cycles and Jet/Air System Control. Offers Customizing of Filtration Cycles, Lighting, Water Temperature Setting and other features
<b>Water Delivery:</b> .....	2 TheraMax High-Flow Pumps and 8-Hour Dynamic Flow Circulation System
<b>Pump 1:</b> .....	North America (60 Hz): 1-Speed/2.5 HP Continuous, 11.3A Max., 56 Frame <b>Export (50 Hz): 1-Speed/2.0 HP Continuous, 7.0A Max.</b>
<b>Pump 2:</b> .....	North America (60 Hz): 1-Speed/2.5 HP Continuous, 11.3A Max., 56 Frame <b>Export (50 Hz): 1-Speed/2.0 HP Continuous, 7.0A Max.</b>
<b>Pump 3:</b> .....	High Output Dynamic Flow, 24-Hour programmable, factory default set to 8-Hour Filter/ Circulation Pump (35 gpm); Programmable for Daily Start Time and Duration
<b>Total Hydrojets:</b> .....	<b>47</b>
<b>Seat A Jets:</b> .....	3 Fluidix Intelli-Jet
<b>Seat B Jets:</b> .....	2 Vortex
<b>Seat C Jets:</b> .....	12 Fluidix ST, 2 Fluidix Nex, 1 Whirlpool (sidewall), 4 Accu-Pressure, 2 Pulsator
<b>Rear Wall Jet (D):</b> .....	1 Vortex
<b>Seat E Jets:</b> .....	2 Fluidix Intelli-Jet, 2 Fluidix Nex, 4 Fluidix ST
<b>Seat F Jets:</b> .....	4 Vortex
<b>Footwell Jets (G):</b> .....	8 Accu-Pressure
<b>Air Blower:</b> .....	High-Efficiency, 1-Speed
<b>Aromatherapy Delivery:</b> .....	14 Air Injector Jets with Quiet High Speed Air Pump
<b>Air Controls/Massage Selectors:</b> .....	5/2 (Standard air control with LED lights and massage selector with LED lights)
<b>Filter:</b> .....	MicroClean® Ultra Filtration System, 130 ft <sup>2</sup> (2 interlocking cartridge filters)
<b>Water Treatment:</b> .....	Automatic Brominator and Dynamic Flow Circulation System; Factory installed CLEARARRAY Active Oxygen™ Clear Water System
<b>Lighting:</b> .....	Multi-Colored Sunglow LED Lighting System (1 Waterfall, 1 Footwell, 5 Air controls, 2 Massage Selectors, 2 Backlit handrails, Exterior lights)
<b>Skirt Cabinet (SunSide™):</b> .....	Modern Hardwood, Brushed Gray and Vintage Oak (Equipped with Standard Exterior Lights)
<b>Shell Colors:</b> .....	North America(60 Hz): Platinum, Celestite (Gypsum), Monaco, Midnight, Porcelain <b>Export (50 Hz): All North America Colors</b>
<b>Handrails:</b> .....	Two High Quality Stainless Steel with backlit LED lighting
<b>ComfortTone Headrests:</b> .....	Four, 1-Piece Gray
<b>Heater:</b> .....	North America (60 Hz): Low Flow 5.5 kW with Titanium Element <b>Export (50 Hz): Low Flow 2.7 kW with Titanium Element</b>
<b>Electrical Requirements:</b> .....	North America (60 Hz): 240 VAC@40A, 50A or 60A; <b>Export (50 Hz): 230-240 VAC@1x432A or 1x16A/1x32A, 1x20A/1x16A, 3x16A (see manual for more configurations); or Suitably Rated Circuit Breaker to Comply with Local Electrical Regulations. Certain Countries may Require 2 Power Inputs; Two GFCI/RCD Breakers are Required for This Configuration.</b>
<b>Limited Warranty*:</b> .....	North America (60 Hz): 10 Years Shell, 7 Years Shell Surface, 5 Years Plumbing Component Leaks, 5 Years Equipment and Controls, 5 Years Synthetic Cabinet, 5 Years Jets, 2 Years Lights, 1 Year Stereo <b>Export (50 Hz): 10 Years Shell, 7 Years Shell Surface, 5 Years Plumbing Component Leaks, 5 Years Equipment and Controls, 5 Years Synthetic Cabinet, 5 Years Jets, 2 Years Lights, 2 Years Stereo</b>
<b>Waterfall Feature:</b> .....	Adjustable Flow Rate; Colored Lighting
<b>Audio System (Optional):</b> .....	Factory Installed BLUEWAVE® 2.0 Wireless Spa Stereo System with Auxiliary 3.5 mm headphone jack connection, Bluetooth® compatible, 4 premium speakers and a powered subwoofer
<b>Special Features:</b> .....	MicroClean® Plus Versatile Filter Lid, <b>Optional</b> Filter Lid Pillow seat, <b>Optional</b> (Factory Installed) SmartTub® Module

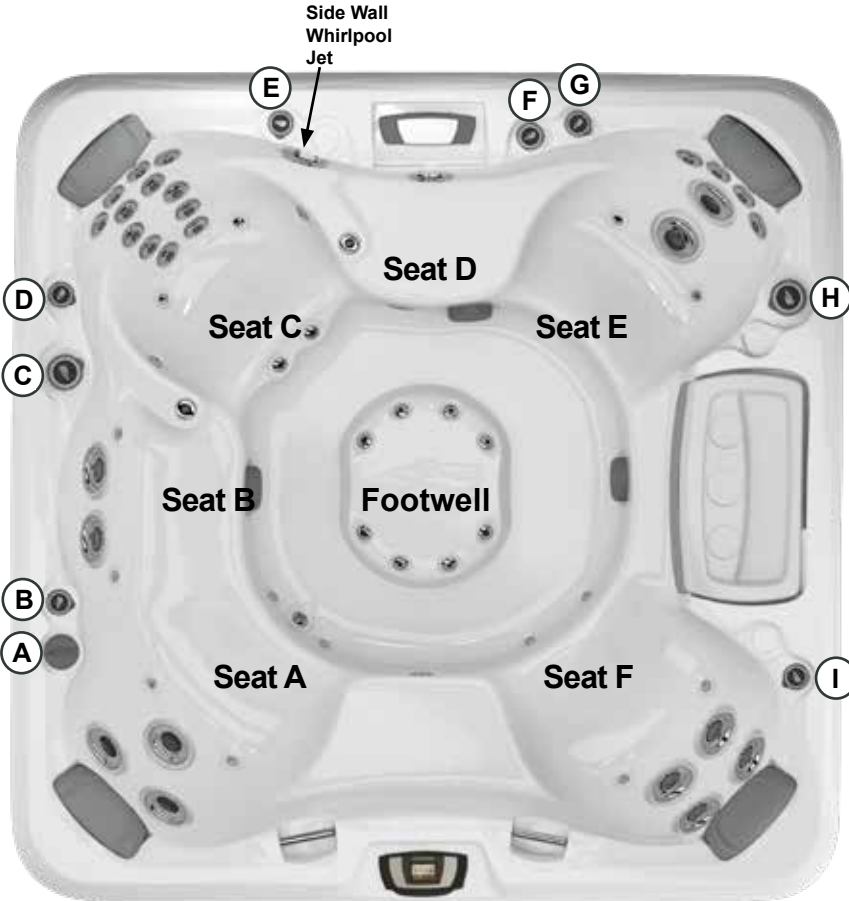
\*(See Warranty Document for Specific Details)

Dimensions/Specifications Subject To Change Without Notice



# Sundance Spas 880 Optima

## Operation/Seat Depths



- (A)** Suncsent Dispenser
- (B)** Air Control - Activates Seat A Jets (3 Fluidix Intelli-Jet) + Seat B Jets (2 Vortex) + Side Wall Whirlpool Jet
- (C)** Massage Selector [Pump 2] - Adjusts Massage Level Between Seat C Jets (except 4 Accu-Pressure) and Footwell Jets + Rear Wall Jet
- (D)** Air Control - Activates Upper Eight Seat C Jets (2 Fluidix Nex, 6 Fluidix-ST)
- (E)** Air Control - Activates Lower Twelve Seat C Jets (6 Fluidix-ST, 4 Accu-Pressure, 2 Pulsators)
- (F)** Waterfall Selector [8-Hour Circ. Pump] - Controls Waterfall Output
- (G)** Air Control - Activates Seat E Jets (2 Fluidix Nex, 4 Fluidix-ST, 2 Fluidix Intelli-Jet) + Seat F Jets (4 Vortex)
- (H)** Massage Selector [Pump 1] - Adjusts Massage Level Between Seat A Jets + Side Wall Whirlpool and Seat E Jets + Seat F Jets
- (I)** Air Control - Activates Seat D Rear Wall Jet (1 Vortex) + Footwell Jets (8 Accu-Pressure)

### 47 Total Jets



- Jets Pump 1: Seat B Jets are always on when this pump is running
- Jets Pump 2: The 4 Accu-Pressure Jets in the Seat C are always on when this pump is running

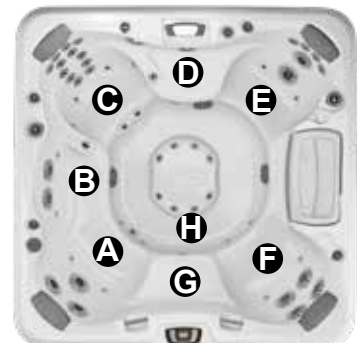
Spa Operation Subject To Change Without Notice

## SEAT DEPTHS

**A = 25.00" (63.50 cm)**  
**B = 22.00" (55.88 cm)**  
**C = 28.00" (71.12 cm)**  
**D = 25.00" (63.50 cm)**  
**E = 26.00" (66.04 cm)**  
**F = 25.00" (63.50 cm)**

**G = 17.00" (43.18 cm)**  
**H = 32.00" (81.28 cm)**

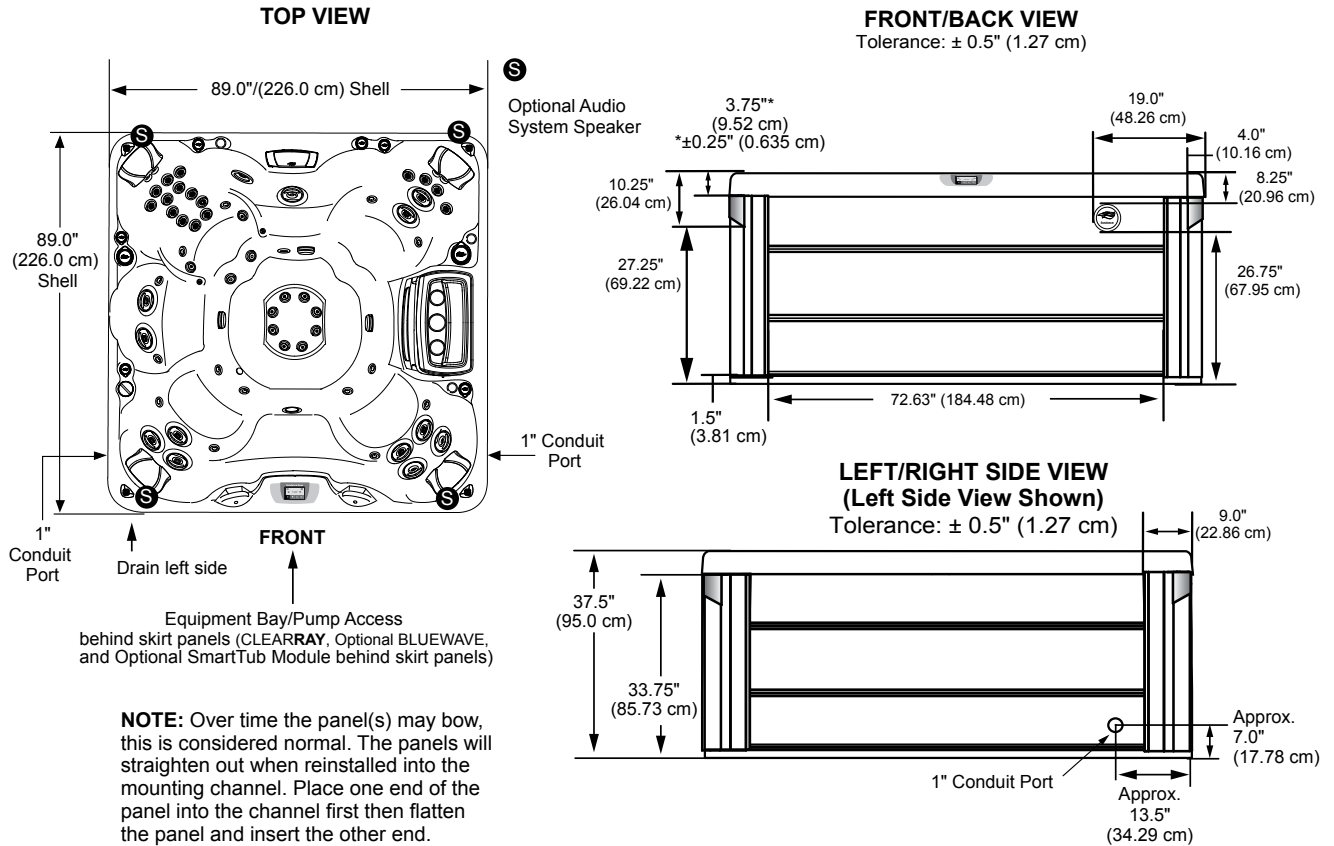
Listed dimensions represent distance from top of acrylic to lowest point in seat. **Tolerance ± 0.5" (1.27 cm).**



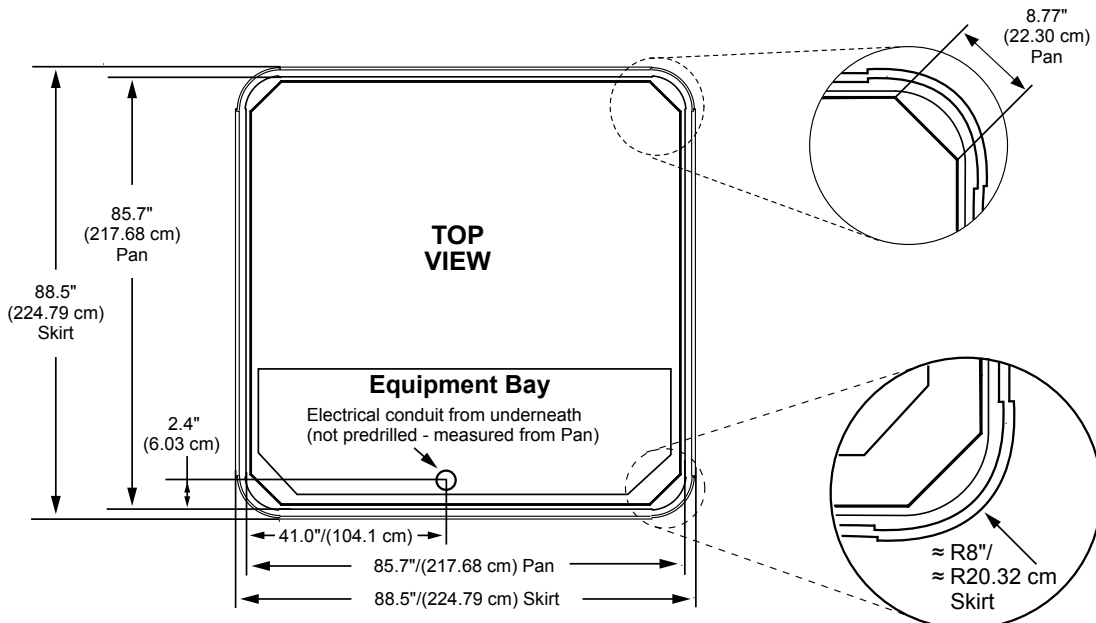
Dimensions/Specifications Subject To Change Without Notice

# Sundance Spas 880 Optima

## Portable Dimensions



**IMPORTANT! Always measure each hot tub for exact dimensions BEFORE designing its foundational support and/or decking.**

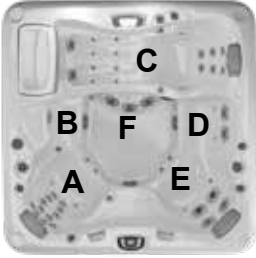


Dimensions/specifications subject to change without notice. Tolerance: ± 0.5" (1.27 cm)

Dimensions/Specifications Subject To Change Without Notice

# Sundance® Spas 880 Cameo®

## Specifications

<b>Dimensions:</b> .....	89" x 89" x 37.5" (226 cm x 226 cm x 95.25 cm)	
<b>Perimeter</b> .....	356" (904.2 cm)	
<b>Seating Capacity:</b> .....	5-6 Adults	
<b>Dry Weight:</b> .....	962 lbs (436 kg)	
<b>Filled Weight (Spa Volume):</b> .....	4,882 lbs (2,214 kg)	
<b>Filled Weight (Average Fill):</b> .....	4,048 lbs (1,836 kg)	
<b>Water Capacity (Spa Volume):</b> .....	470 US Gal (1,779 Liters)	
<b>Water Capacity (Average Fill):</b> .....	370 US Gal (1,401 Liters)	
<b>Controls:</b> .....	880 Touch Interface LCD Control, Displays Temperature, Time, Cycles and Jet/Air System Control. Offers Customizing of Filtration Cycles, Lighting, Water Temperature Setting and other features	
<b>Water Delivery:</b> .....	2 TheraMax High Flow Pumps and 8-Hour Dynamic Flow Circulation System	
<b>Pump 1:</b> .....	North America (60 Hz): 1-Speed/2.5 HP Continuous, 11.3A Max., 56 Frame <b>Export (50 Hz): 1-Speed/2.0 HP Continuous, 7.0A Max.</b>	
<b>Pump 2:</b> .....	North America (60 Hz): 1-Speed/2.5 HP Continuous, 11.3A Max., 56 Frame <b>Export (50 Hz): 1-Speed/2.0 HP Continuous, 7.0A Max.</b>	
<b>Pump 3:</b> .....	High Output Dynamic Flow, 24-Hour programmable, factory default set to 8-Hour Filter/Circulation Pump (35 gpm) Programmable for Daily Start Time and Duration	
<b>Total Hydrojets:</b> .....	<b>54</b>	
<b>Seat A Jets:</b> .....	2 Fluidix Nex, 12 Fluidix-ST, 2 Accu-Pressure, 2 Pulsator	
<b>Seat B Jets:</b> .....	1 Whirlpool	
<b>Seat C Jets:</b> .....	2 Fluidix Nex, 6 Fluidix Reflex, 2 Pulsator, 2 Accu-Pressure, 2 Vortex, 8 Focus-Relief®	
<b>Seat D Jets:</b> .....	2 Vortex	
<b>Seat E Jets:</b> .....	2 Vortex, 2 Fluidix Intelli-Jet, 2 Accu-Pressure, 2 Fluidix Nex	
<b>Footwell Jets (F):</b> .....	3 Whirlpool	
<b>Air Blower:</b> .....	High-Efficiency, 1-Speed	
<b>Aromatherapy Delivery:</b> .....	6 Air Injector Jets with Quiet High Speed Air Pump	
<b>Air Controls/Massage Selectors:</b> .....	5/2 (Standard air control with LED lights and massage selector with LED lights)	
<b>Filter:</b> .....	MicroClean® Ultra Filtration System, 130 ft² (2 interlocking cartridge filters)	
<b>Water Treatment:</b> .....	Automatic Brominator and Dynamic Flow Circulation System; Factory installed CLEARRAY Active Oxygen™ Clear Water System	
<b>Lighting:</b> .....	Multi-Colored Sunglow LED Lighting System (1 Waterfall, 1 Footwell, 5 Air control, 2 Massage Selectors, 2 Backlit handrails, Exterior lights)	
<b>Skirt Cabinet (SunSide™):</b> .....	Modern Hardwood, Brushed Gray and Vintage Oak (Equipped with Standard Exterior Lights)	
<b>Shell Colors:</b> .....	North America: Platinum, Celestite (Gypsum), Monaco, Midnight, Porcelain <b>Export (50 Hz): All North America Colors</b>	
<b>Handrails:</b> .....	Two High Quality Stainless Steel with backlit LED lighting	
<b>ComforTone Headrests:</b> .....	Three, 1-Piece Gray	
<b>Heater:</b> .....	North America (60 Hz): Low Flow 5.5 kW with Titanium Element <b>Export (50 Hz): Low Flow 2.7 kW with Titanium Element</b>	
<b>Electrical Requirements:</b> .....	North America (60 Hz): 240 VAC@40A, 50A or 60A; <b>Export (50 Hz): 230-240 VAC@1x40A or 1x16A/1x32A, 1x20A/1x16A, 3x16A (see manual for more configurations); or Suitably Rated Circuit Breaker to Comply with Local Electrical Regulations. Certain Countries may Require 2 Power Inputs; Two GFCI/RCD Breakers are Required for This Configuration.</b>	
<b>Limited Warranty*:</b> .....	North America (60 Hz): 10 Years Shell, 7 Years Shell Surface, 5 Years Plumbing Component Leaks, 5 Years Equipment and Controls, 5 Years Synthetic Cabinet, 5 Years Jets, 2 Years Lights, 1 Year Stereo <b>Export (50 Hz): 10 Years Shell, 7 Years Shell Surface, 5 Years Plumbing Component Leaks, 5 Years Equipment and Controls, 5 Years Synthetic Cabinet, 5 Years Jets, 2 Years Lights, 2 Years Stereo</b>	
<b>Waterfall Feature:</b> .....	Adjustable Flow Rate; Colored Lighting	
<b>Audio System (Optional):</b> .....	Factory Installed BLUEWAVE® 2.0 Wireless Spa Stereo System with Auxiliary 3.5 mm headphone jack connection, Bluetooth® compatible, 4 premium speakers and a powered subwoofer	
<b>Special Features:</b> .....	MicroClean® Plus Versatile Filter Lid, <b>Optional</b> Filter Lid Pillow seat, <b>Optional</b> (Factory Installed) SmartTub® Module	

\*(See Warranty Document for Specific Details)

Dimensions/Specifications Subject To Change Without Notice



# Sundance Spas 880 Cameo

## Operation/Seat Depths



- (A)** Air Control - Activates Upper Eight Seat A Jets (2 Fluidix Nex, 6 Fluidix-ST)
- (B)** Air Control - Activates Lower Seat A Jets (6 Fluidix-ST, 2 Accu-Pressure, 2 Pulsator) + Seat D Jets (2 Vortex)
- (C)** Massage Selector [Pump 1] - Adjusts Massage Level Between Footwell Jets and Seat A Jets + Seat D Jets
- (D)** Sunscents Dispenser
- (E)** Waterfall Selector [8-Hour Circ. Pump] - Controls Waterfall Output
- (F)** Air Control - Activates Seat C Jets (2 Fluidix Nex, 6 Fluidix Reflex, 2 Accu-Pressure, 2 Pulsator, 2 Vortex) + Lower Four Seat E Jets (2 Fluidix Intelli-Jet, 2 Accu-Pressure) + Upper Two Seat E Jets (2 Fluidix Nex)
- (G)** Air Control - Activates the Footwell Jets (3 Whirlpool)
- (H)** Massage Selector [Pump 2] - Adjusts Massage Level Between Seat E Jets + Seat B and Seat C Jets
- (I)** Air Control - Activates Upper 2 Seat E Jets (2 Vortex) + Seat B Jet (1 Whirlpool)

### 54 Total Jets



- Focus-Relief Jets: Work with both the blower and Jets Pump 2. The blower introduces air to the jet and the Jets Pump forces water through.

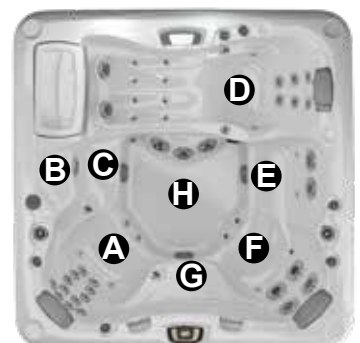
Spa Operation Subject To Change Without Notice

## SEAT DEPTHS

- A = 28.00" (71.12 cm)**
- B = 7.50" (19.05 cm)**
- C = 20.00" (50.80 cm)**
- D = 26.00" (66.04 cm)**
- E = 24.50" (62.23 cm)**
- F = 24.50" (62.23 cm)**

- G = 17.00" (43.18 cm)**
- H = 31.00" (78.74 cm)**

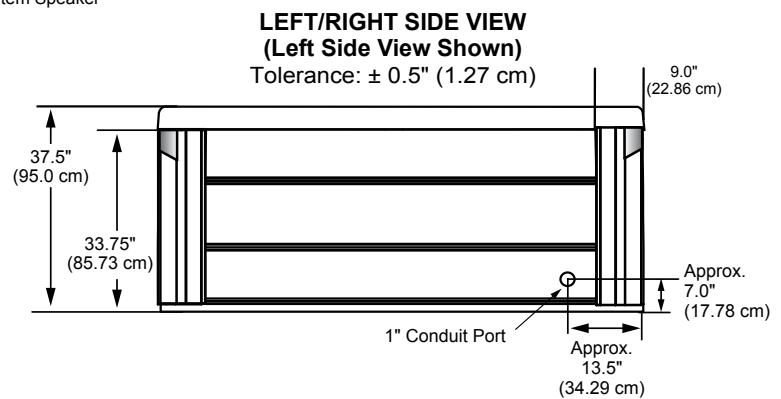
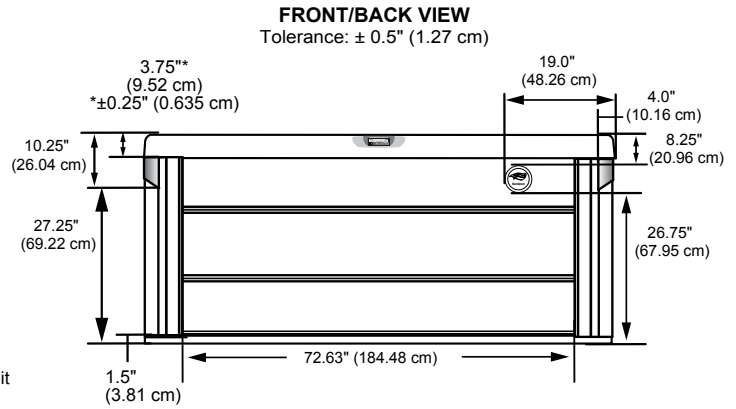
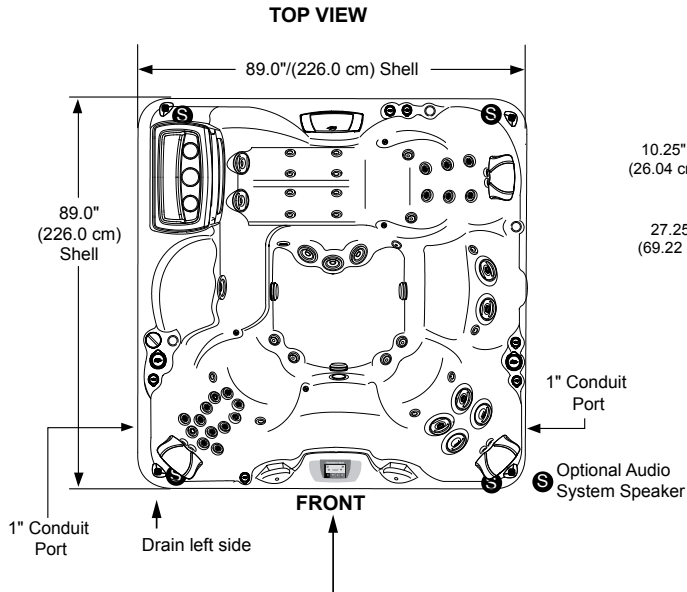
Listed dimensions represent distance from top of acrylic to lowest point in seat. **Tolerance ± 0.5" (1.27 cm).**



Dimensions/Specifications Subject To Change Without Notice

# Sundance Spas 880 Cameo

## Portable Dimensions

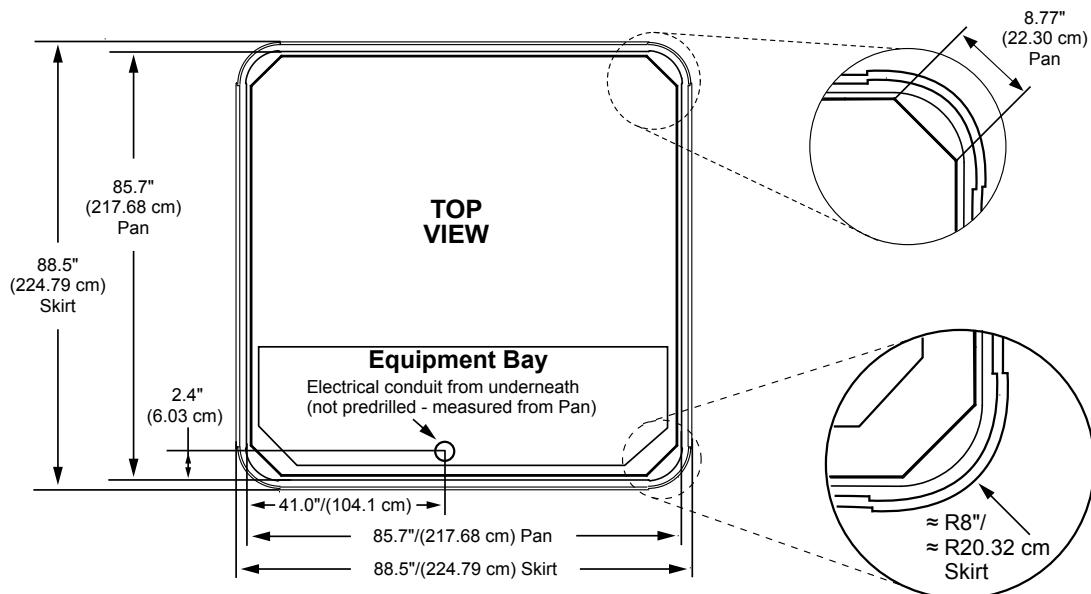


Equipment Bay/Pump Access behind skirt panels (CLEARARRAY, Optional BLUEWAVE, and Optional SmartTub Module behind skirt panels)

**NOTE:** Over time the panel(s) may bow, this is considered normal. The panels will straighten out when reinstalled into the mounting channel. Place one end of the panel into the channel first then flatten the panel and insert the other end.



**IMPORTANT!** Always measure each hot tub for exact dimensions **BEFORE** designing its foundational support and/or decking.

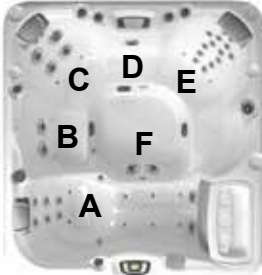


Dimensions/specifications subject to change without notice. Tolerance:  $\pm 0.5"$  (1.27 cm)

Dimensions/Specifications Subject To Change Without Notice

# Sundance® Spas 880 Altamar®

## Specifications

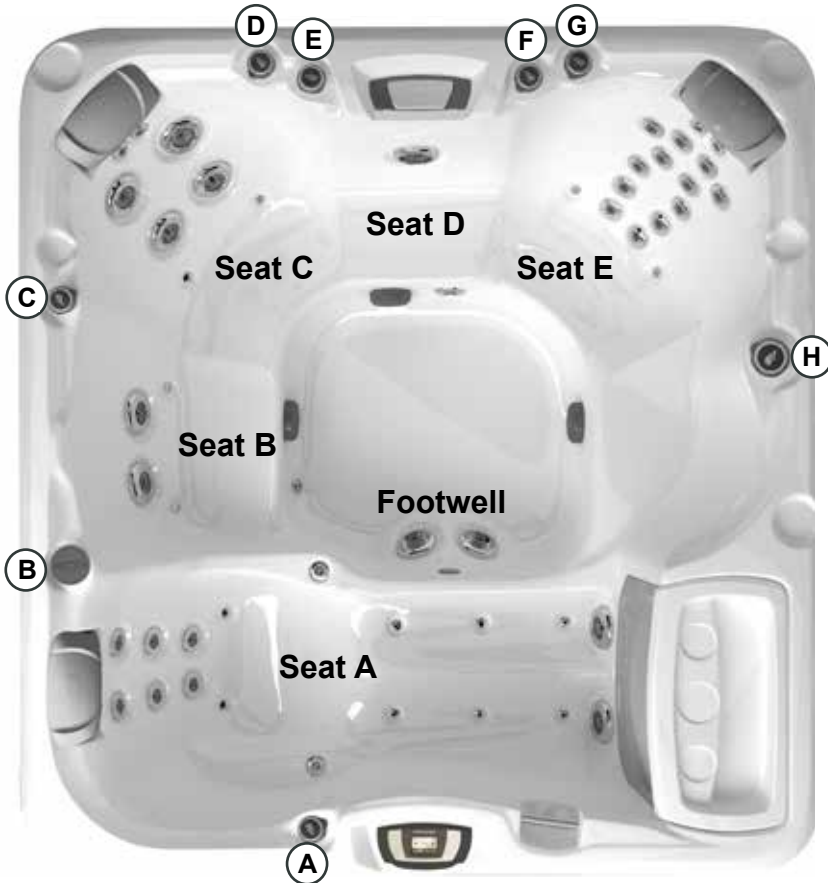
<b>Dimensions:</b> .....	81" x 86" x 37.5" (206 cm x 218.5 cm x 95.25 cm)	
<b>Perimeter</b> .....	334" (848.4 cm)	
<b>Seating Capacity:</b> .....	5-6 Adults	
<b>Dry Weight:</b> .....	875 lbs (397 kg)	
<b>Filled Weight (Spa Volume):</b> .....	4,878 lbs (2,213 kg)	
<b>Filled Weight (Average Fill):</b> .....	4,128 lbs (1,872 kg)	
<b>Water Capacity (Spa Volume):</b> .....	480 US Gal (1,817 Liter)	
<b>Water Capacity (Average Fill):</b> .....	390 US Gal (1,476 Liter)	
<b>Controls:</b> .....	880 iTouch Interface LCD Control, Displays Temperature, Time, Cycles and Jet/Air System Control. Offers Customizing of Filtration Cycles, Lighting, Water Temperature Setting and other features	
<b>Water Delivery:</b> .....	2 TheraMax High-Flow Pumps and 8-Hour Dynamic Flow Circulation System	
<b>Pump 1:</b> .....	North America (60 Hz): 1-Speed/2.5 HP Continuous, 11.3A Max., 56 Frame <b>Export (50 Hz): 1-Speed/2.0 HP Continuous, 7.0A Max.</b>	
<b>Pump 2:</b> .....	North America (60 Hz): 1-Speed/2.5 HP Continuous, 11.3A Max., 56 Frame <b>Export (50 Hz): 1-Speed/2.0 HP Continuous, 7.0A Max.</b>	
<b>Pump 3:</b> .....	High Output Dynamic Flow, 24-Hour programmable, factory default set to 8-Hour Filter/Circulation Pump (35 gpm) Programmable for Daily Start Time and Duration	
<b>Total Hydrojets:</b> .....	<b>41</b>	
<b>Seat A Jets:</b> .....	6 Fluidix Reflex Jets, 2 Pulsator, 2 Fluidix Intelli-Jet, 6 Focus-Relief®	
<b>Seat B Jets:</b> .....	2 Fluidix Intelli-Jet	
<b>Seat C Jets:</b> .....	2 Fluidix Nex, 2 Vortex, 2 Fluidix Intelli-Jet	
<b>Seat D Jet:</b> .....	1 Vortex	
<b>Seat E Jets:</b> .....	12 Fluidix ST, 2 Fluidix Nex	
<b>Footwell Jets (F):</b> .....	2 Whirlpool	
<b>Air Blower:</b> .....	High-Efficiency, 1-Speed	
<b>Aromatherapy Delivery:</b> .....	8 Air Injector Jets with Quiet High Speed Air Pump	
<b>Air Controls/Massage Selectors:</b> .....	5/1 (Standard air control and massage selector LED lights)	
<b>Filter:</b> .....	MicroClean® Ultra Filtration System, 130 ft² (2 interlocking cartridge filters)	
<b>Water Treatment:</b> .....	Automatic Brominator and Dynamic Flow Circulation System; Factory installed CLEARARRAY Active Oxygen™ Clear Water System	
<b>Lighting:</b> .....	Multi-Colored Sunglow LED Lighting System (1 Waterfall, 1 Footwell, 5 Air controls, 1 Massage Selectors, 1 Backlit handrails, Exterior lights)	
<b>Skirt Cabinet (SunSide™):</b> .....	Modern Hardwood, Brushed Gray and Vintage Oak (Equipped with Standard Exterior Lights)	
<b>Shell Colors:</b> .....	North America (60 Hz): Platinum, Celestite (Gypsum), Monaco, Midnight, Porcelain <b>Export (50 Hz): All North America Colors</b>	
<b>Handrails:</b> .....	One High Quality Stainless Steel with a backlit LED light	
<b>ComforTone Headrests:</b> .....	Three, 1-Piece Gray	
<b>Heater:</b> .....	North America (60 Hz): Low Flow 5.5 kW with Titanium Element <b>Export (50 Hz): Low Flow 2.7 kW with Titanium Element</b>	
<b>Electrical Requirements:</b> .....	North America (60 Hz): 240 VAC@40A, 50A or 60A; <b>Export (50 Hz): 230-240 VAC@1x40A or 1x16A/1x32A, 1x20A/1x16A, 3x16A (see manual for more configurations); or Suitably Rated Circuit Breaker to Comply with Local Electrical Regulations. Certain Countries may Require 2 Power Inputs; Two GFCI/RCD Breakers are Required for This Configuration.</b>	
<b>Limited Warranty*:</b> .....	North America (60 Hz): 10 Years Shell, 7 Years Shell Surface, 5 Years Plumbing Component Leaks, 5 Years Equipment and Controls, 5 Years Cabinet, 5 Years Jets, 2 Years Lights, 1 Year Stereo <b>Export (50 Hz): 10 Years Shell, 7 Years Shell Surface, 5 Years Plumbing Component Leaks, 5 Years Equipment and Controls, 5 Years Cabinet, 5 Years Jets, 2 Years Lights, 2 Years Stereo</b>	
<b>Waterfall Feature:</b> .....	Adjustable Flow Rate; Colored Lighting	
<b>Audio System (Optional):</b> .....	Factory Installed BLUEWAVE® 2.0 Wireless Spa Stereo System with Auxiliary 3.5 mm headphone jack connection, Bluetooth® compatible, 4 premium speakers and a powered subwoofer	
<b>Special Features:</b> .....	MicroClean® Plus Versatile Filter Lid, <b>Optional</b> Filter Lid Pillow seat, <b>Optional</b> (Factory Installed) SmartTub® Module	

\*(See Warranty Document for Specific Details)

Dimensions/Specifications Subject To Change Without Notice

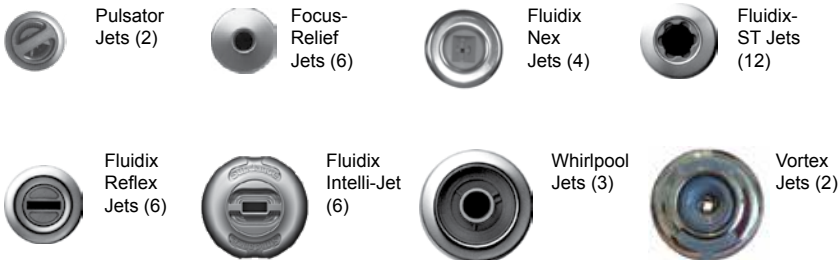
# Sundance Spas 880 Altamar

## Operation/Seat Depths



- (A)** Air Control - Activates Seat A Jets (6 Fluidix Reflex, 2 Pulsator, 2 Fluidix Intelli-Jet)
- (B)** Sunscents Dispenser
- (C)** Air Control - Activates Seat B Jets (2 Fluidix Intelli-Jet) + Seat A Jets (2 Fluidix Nex, 2 Vortex, 2 Fluidix Intelli-Jet)
- (D)** Air Control - Activates Seat D Jet (1 Whirlpool) + Footwell Jets (2 Whirlpool)
- (E)** Waterfall Selector [8-Hour Circ. Pump] - Controls Waterfall Output
- (F)** Air Control - Activates Lower Six Seat E Jets (6 Fluidix-ST)
- (G)** Air Control - Activates Upper Eight Seat E Jets (2 Fluidix Nex, 6 Fluidix-ST)
- (H)** Massage Selector [Pump 2] - Adjusts Massage Level Between Seat B Jets + Seat E Jets and Seat D Jet + Footwell Whirlpool Jets

### 41 Total Jets



- Jets Pump 1: Seat A Jets + Seat C Jets are always on when this pump is running.
- Focus-Relief Jets: Work with both the blower and Jets Pump 1. The blower introduces air to the jet and the Jets Pump forces water through.

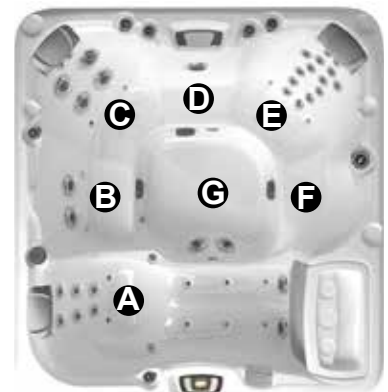
Spa Operation Subject To Change Without Notice

## SEAT DEPTHS

**A = 26.00" (66.04 cm)**  
**B = 27.00" (68.58 cm)**  
**C = 28.00" (71.12 cm)**  
**D = 23.00" (58.42 cm)**

**E = 28.00" (71.12 cm)**  
**F = 20.00" (50.80 cm)**  
**G = 30.00" (76.20 cm)**

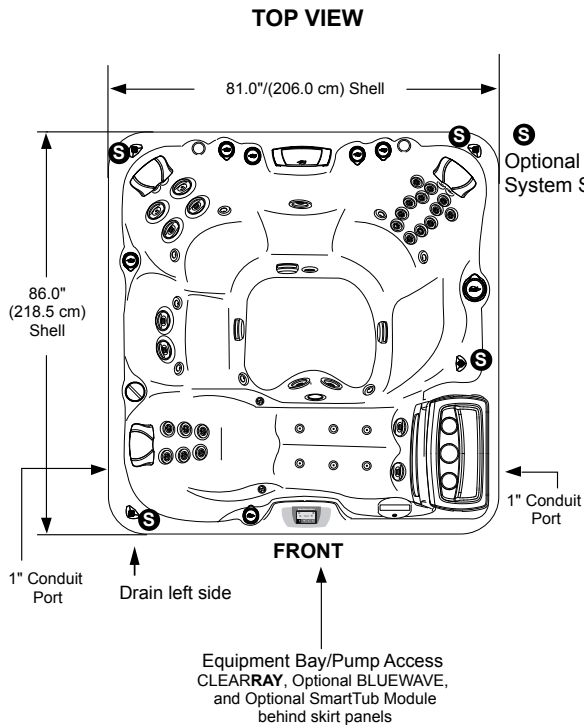
Listed dimensions represent distance from top of acrylic to lowest point in seat. **Tolerance ± 0.5" (1.27 cm).**



Dimensions/Specifications Subject To Change Without Notice

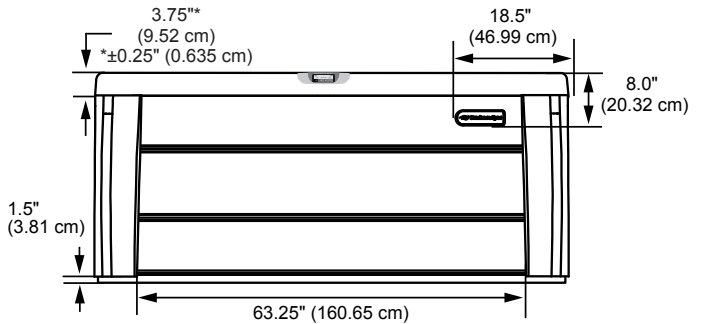
# Sundance Spas 880 Altamar

## Portable Dimensions

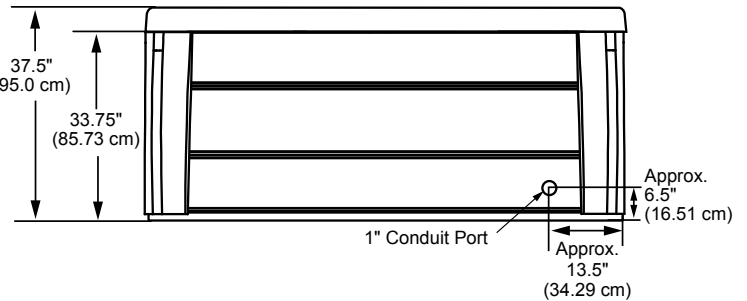


**NOTE:** Over time the panel(s) may bow, this is considered normal. The panels will straighten out when reinstalled into the mounting channel. Place one end of the panel into the channel first then flatten the panel and insert the other end.

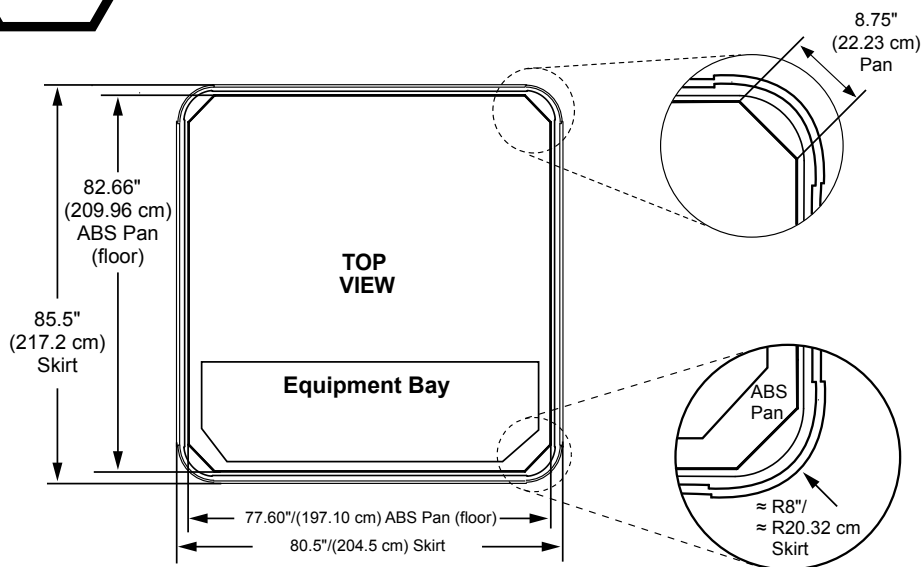
**FRONT/BACK VIEW**  
Tolerance:  $\pm 0.5"$  (1.27 cm)



**LEFT/RIGHT SIDE VIEW (Left Side View Shown)**  
Tolerance:  $\pm 0.5"$  (1.27 cm)



**IMPORTANT! Always measure each hot tub for exact dimensions BEFORE designing its foundational support and/or decking.**



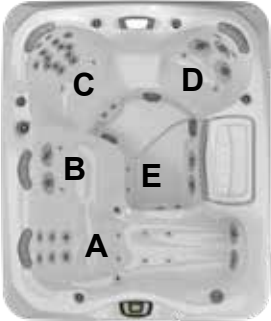
Dimensions/specifications subject to change without notice. Tolerance:  $\pm 0.5"$  (1.27 cm)

Dimensions/Specifications Subject To Change Without Notice



# Sundance® Spas 880 Marin®

## Specifications

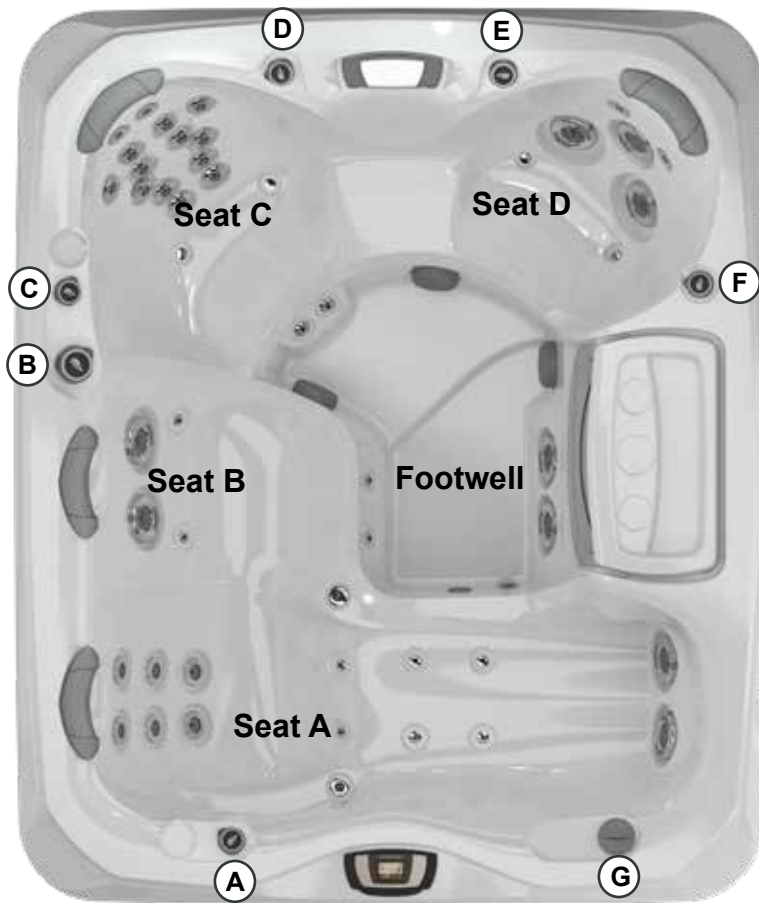
<b>Dimensions:</b> .....	76" x 91" x 34" (193.04 cm x 231 cm x 86.36 cm)	
<b>Perimeter</b> .....	334" (848.4 cm)	
<b>Seating Capacity:</b> .....	4-5 Adults	
<b>Dry Weight:</b> .....	803 lbs (364.23 kg)	
<b>Filled Weight (Spa Volume):</b> .....	4,222 lbs (1,915 kg)	
<b>Filled Weight (Average Fill):</b> .....	3,472 lbs (1,575 kg)	
<b>Water Capacity (Spa Volume):</b> .....	410 US Gal (1,552 Liters)	
<b>Water Capacity (Average Fill):</b> .....	320 US Gal (1,211 Liters)	
<b>Controls:</b> .....	880 iTouch Interface LCD Control, Displays Temperature, Time, Cycles and Jet/Air System Control. Offers Customizing of Filtration Cycles, Lighting, Water Temperature Setting and other features	
<b>Water Delivery:</b> .....	2 TheraMax High-Flow Pumps and 8-Hour Dynamic Flow Circulation System	
<b>Pump 1:</b> .....	North America (60 Hz): 1-Speed/2.5 HP Continuous, 11.3A Max., 56 Frame <b>Export (50 Hz): 1-Speed/2.0 HP Continuous, 7.0A Max.</b>	
<b>Pump 2:</b> .....	North America (60 Hz): 1-Speed/2.5 HP Continuous, 11.3A Max., 56 Frame <b>Export (50 Hz): 1-Speed/2.0 HP Continuous, 7.0A Max.</b>	
<b>Pump 3:</b> .....	High Output Dynamic Flow, 24-Hour programmable, factory default set to 8-Hour Filter/Circulation Pump (35 gpm) Programmable for Daily Start Time and Duration	
<b>Total Hydrojets:</b> .....	<b>45</b>	
<b>Seat A Jets:</b> .....	6 Fluidix Reflex, 2 Vortex, 2 Pulsator, 6 Focus-Relief®	
<b>Seat B Jets:</b> .....	2 Vortex, 4 Focus-Relief	
<b>Seat C Jets:</b> .....	2 Fluidix Nex, 12 Fluidix ST, 2 Accu-Pressure	
<b>Seat D Jets:</b> .....	2 Fluidix Nex, 1 Vortex, 2 Fluidix Intelli-Jet	
<b>Footwell Jets (E):</b> .....	2 Vortex	
<b>Air Blower:</b> .....	High-Efficiency, 1-Speed	
<b>Aromatherapy Delivery:</b> .....	4 Air Injector Jets with Quiet High Speed Air Pump	
<b>Air Controls/Massage Selectors:</b> .....	4/1 (Standard air control with LED lights and massage selector with LED lights)	
<b>Filter:</b> .....	MicroClean® Ultra Filtration System, 130 ft² (2 interlocking cartridge filters)	
<b>Water Treatment:</b> .....	Automatic Brominator and Dynamic Flow Circulation System; Factory installed CLEARRAY Active Oxygen™ Clear Water System	
<b>Lighting:</b> .....	Multi-Colored LED Lighting System (1 Waterfall, 1 Main Light, 4 Air controls, 1 Massage Selector, Exterior lights)	
<b>Skirt Cabinet (SunSide™):</b> .....	Modern Hardwood, Brushed Gray and Vintage Oak (Equipped with Standard Exterior Lights)	
<b>Shell Colors:</b> .....	North America: Platinum, Celestite (Gypsum), Monaco, Midnight, Porcelain <b>Export (50 Hz): All North America Colors</b>	
<b>Handrails:</b> .....	None	
<b>Headrests:</b> .....	Four, 1-Piece Gray	
<b>Heater:</b> .....	North America (60 Hz): Low Flow 5.5 kW with Titanium Element <b>Export (50 Hz): Low Flow 2.7 kW with Titanium Element</b>	
<b>Electrical Requirements:</b> .....	North America (60 Hz): 240 VAC@40A, 50A or 60A; <b>Export (50 Hz): 230-240 VAC@1x40A or 1x16A/1x32A, 1x20A/1x16A, 3x16A (see manual for more configurations); or Suitably Rated Circuit Breaker to Comply with Local Electrical Regulations. Certain Countries May Require 2 Power Inputs; Two GFCI/RCD Breakers are Required for This Configuration.</b>	
<b>Limited Warranty*:</b> .....	North America (60 Hz): 10 Years Shell, 7 Years Shell Surface, 5 Years Plumbing Component Leaks, 5 Years Equipment and Controls, 5 Years Cabinet, 5 Years Jets, 2 Years Lights, 1 Year Stereo <b>Export (50 Hz): 10 Years Shell, 7 Years Shell Surface, 5 Years Plumbing Component Leaks, 5 Years Equipment and Controls, 5 Years Cabinet, 5 Years Jets, 2 Years Lights, 2 Years Stereo</b>	
<b>Waterfall Feature:</b> .....	Adjustable Flow Rate; Colored Lighting	
<b>Audio System (Optional):</b> .....	Factory Installed BLUEWAVE® 2.0 Wireless Spa Stereo System with Auxiliary 3.5 mm headphone jack connection, Bluetooth® compatible, 4 premium speakers and a powered subwoofer	
<b>Special Features:</b> .....	MicroClean® Plus Versatile Filter Lid, <b>Optional</b> Filter Lid Pillow seat, <b>Optional</b> (Factory Installed) SmartTub® Module	

\*(See Warranty Document for Specific Details)

Dimensions/Specifications Subject To Change Without Notice

# Sundance Spas 880 Marin

## Operation/Seat Depths



- (A)** Air Control - Activates Seat A Jets (6 Fluidix Reflex, 2 Pulsator, 2 Vortex)
- (B)** Massage Selector [Pump 2] - Adjusts Massage Level Between Seat A Jets and Seat C Jets
- (C)** Air Control - Activates Seat C Upper 8 Jets (2 Fluidix Nex, 6 Fluidix ST)
- (D)** Air Control - Activates Seat C Lower 8 Jets (6 Fluidix-ST, 2- Accu-Pressure)
- (E)** Waterfall Selector [8-Hour Circ. Pump] - Controls Waterfall Output
- (F)** Air Control - Activates Seat B Jets (2 Vortex) + Seat D Jets (2 Fluidix Nex, 1 Vortex, 2 Fluidix Intelli-Jet) + Footwell Jets (2 Vortex)
- (G)** Sunscents Dispenser

- Jets Pump 1: Seat B Jets + Seat D Jets + Footwell Jets are always on when this pump is running
- Focus-Relief Jets: Work with both the blower and Jets Pump 2. The blower introduces air to the jet and the Jets Pump forces water through.

### 45 Total Jets



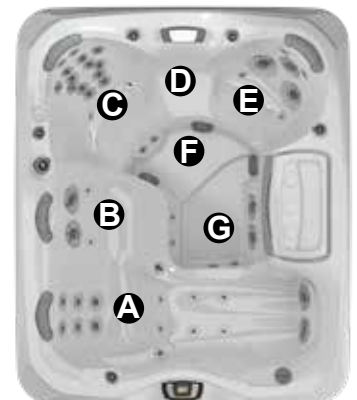
Spa Operation Subject To Change Without Notice

## SEAT DEPTHS

- A = 25.75" (65.40 cm)**
- B = 24.50" (62.23 cm)**
- C = 27.75" (70.48 cm)**
- D = 22.00" (55.88 cm)**
- E = 25.50" (64.77 cm)**
- F = 29.50" (74.93 cm)**

**G = 31.25" (79.37 cm)**

Listed dimensions represent distance from top of acrylic to lowest point in seat. **Tolerance ± 0.5" (1.27 cm).**

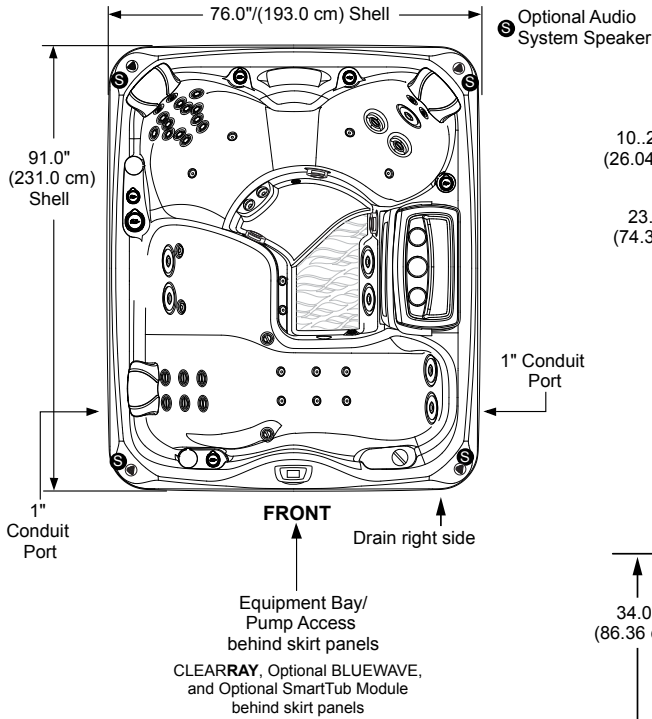


Dimensions/Specifications Subject To Change Without Notice

# Sundance Spas 880 Marin

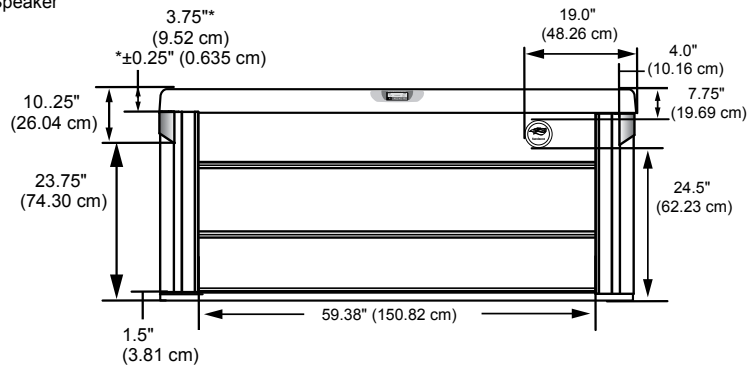
## Portable Dimensions

**TOP VIEW**



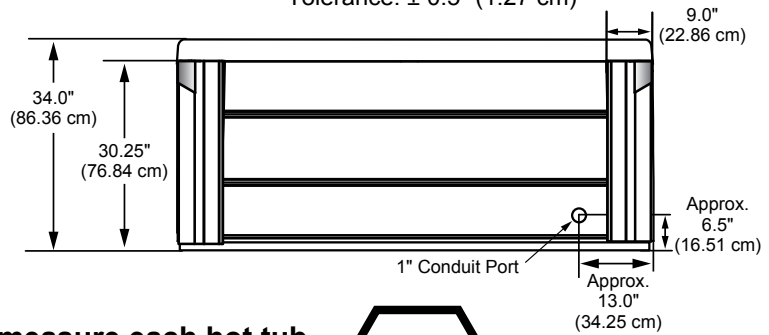
**FRONT/BACK VIEW**

Tolerance:  $\pm 0.5"$  (1.27 cm)

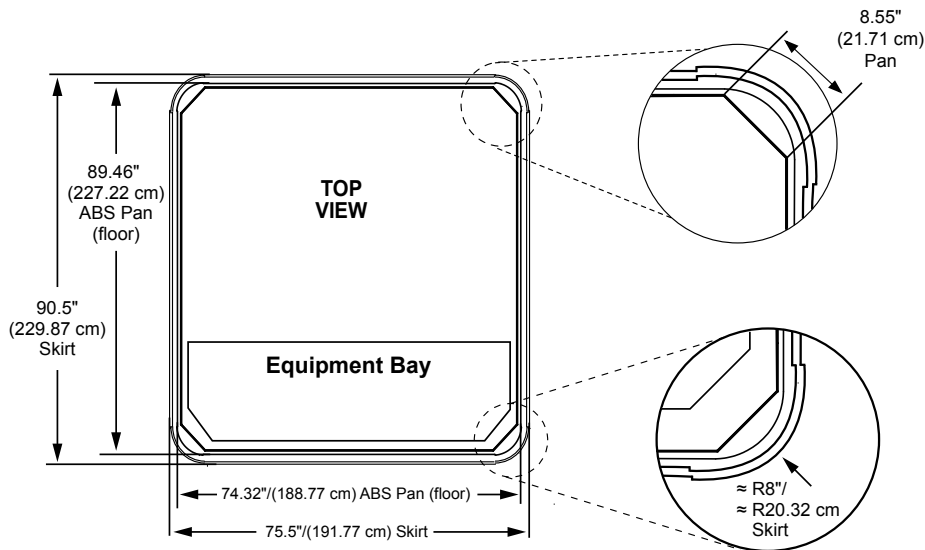


**LEFT/RIGHT SIDE VIEW  
(Left Side View Shown)**

Tolerance:  $\pm 0.5"$  (1.27 cm)



**IMPORTANT! Always measure each hot tub for exact dimensions BEFORE designing its foundational support and/or decking.**



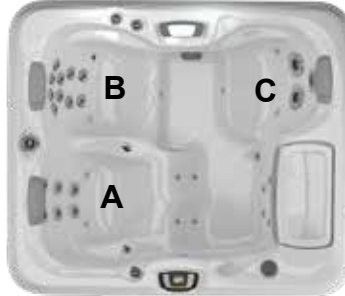
Dimensions/specifications subject to change without notice. Tolerance:  $\pm 0.5"$  (1.27 cm)

Dimensions/Specifications Subject To Change Without Notice



# Sundance® Spas 880 Capri®

## Specifications

<b>Dimensions:</b> .....	69" x 82" x 30.5" (175.5 cm x 208.5 cm x 77.5 cm)	
<b>Perimeter</b> .....	302" (767.1 cm)	
<b>Seating Capacity:</b> .....	2-3 Adults	
<b>Dry Weight:</b> .....	635 lbs (288 kg)	
<b>Filled Weight (Spa Volume):</b> .....	3,262 lbs (1,480 kg)	
<b>Filled Weight (Average Fill):</b> .....	2,553 lbs (1,158 kg)	
<b>Water Capacity (Total Volume):</b> .....	315 US Gal (1,192 Liters)	
<b>Water Capacity (Average Fill):</b> .....	230 US Gal (871 Liters)	
<b>Controls:</b> .....	880 Touch Interface LCD Control, Displays Temperature, Time, Cycles and Jet/Air System Control. Offers Customizing of Filtration Cycles, Lighting, Water Temperature Setting and other features	
<b>Water Delivery:</b> .....	1 TheraMax High-Flow Pump and 8-Hour Dynamic Flow Circulation System	
<b>Pump 1:</b> .....	North America (60 Hz): 1-Speed/2.5 HP Continuous, 11.3A Max., 56 Frame <b>Export (50 Hz): 1-Speed/2.0 HP Continuous, 7.0A Max.</b>	
<b>Pump 2:</b> .....	High Output Dynamic Flow, 24-Hour programmable, factory default set to 8-Hour Filter/Circulation Pump (35 gpm), Programmable for Daily Start Time and Duration	
<b>Total Hydrojets:</b> .....	<b>31</b>	
<b>Seat A Jets:</b> .....	6 Fluidix Reflex, 2 Pulsator, 4 Focus-Relief, 4 Accu-Pressure	
<b>Seat B Jets:</b> .....	10 Fluidix ST, 2 Fluidix Nex	
<b>Seat C Jets:</b> .....	1 Vortex, 2 Fluidix Intelli-Jet	
<b>Air Blower:</b> .....	High-Efficiency, 1-Speed	
<b>Aromatherapy Delivery:</b> .....	8 Air Injector Jets with Quiet High Speed Air Pump	
<b>Air Controls/Massage Selectors:</b> .....	2/1 (Standard air control with LED lights and massage selector with LED lights)	
<b>Filter:</b> .....	MicroClean® Ultra Filtration System, 130 ft² (2 interlocking cartridge filters)	
<b>Water Treatment:</b> .....	Automatic Brominator and Dynamic Flow Circulation System; Factory installed CLEARARRAY Active Oxygen™ Clear Water System	
<b>Lighting:</b> .....	Multi-Colored Sunglow LED Lighting System (1 Waterfall, 1 Main light, 2 Air controls, 1 Massage Selectors, Exterior lights)	
<b>Skirt Cabinet (SunSide™):</b> .....	Modern Hardwood, Brushed Gray and Vintage Oak (Equipped with Standard Exterior Lights)	
<b>Shell Colors:</b> .....	North America: Platinum, Celestite (Gypsum), Monaco, Midnight, Porcelain <b>Export: All North America Colors</b>	
<b>Handrails:</b> .....	1 Integral	
<b>ComforTone Headrests:</b> .....	Three, 1-Piece Gray	
<b>Heater:</b> .....	North America (60 Hz): Low Flow 5.5 kW with Titanium Element <b>Export (50 Hz): Low Flow 2.7 kW with Titanium Element</b>	
<b>Electrical Requirements:</b> .....	North America (60 Hz): 240 VAC@40A or 50A; <b>Export (50 Hz): 230-240 VAC@1x25A, 2x16A (see manual for more configurations); or Suitably Rated Circuit Breaker to Comply with Local Electrical Regulations. Certain Countries May Require Dual Power Inputs; Two GFCI/RCD Breakers are Required for This Configuration.</b>	
<b>Limited Warranty*:</b> .....	North America (60 Hz): 10 Years Shell, 7 Years Shell Surface, 5 Years Plumbing Component Leaks, 5 Years Equipment and Controls, 5 Years Cabinet, 5 Years Jets, 2 Years Lights, 1 Year Stereo <b>Export (50 Hz): 10 Years Shell, 7 Years Shell Surface, 5 Years Plumbing Component Leaks, 5 Years Equipment and Controls, 5 Years Cabinet, 5 Years Jets, 2 Years Lights, 2 Years Stereo</b>	
<b>Waterfall Feature:</b> .....	Adjustable Flow Rate; Colored Lighting	
<b>Audio System (Optional):</b> .....	Factory Installed BLUEWAVE® 2.0 Wireless Spa Stereo System with Auxiliary 3.5 mm headphone jack connection, Bluetooth® compatible, 4 premium speakers and a powered subwoofer	
<b>Special Features:</b> .....	MicroClean® Plus Versatile Filter Lid, <b>Optional</b> Filter Lid Pillow seat, <b>Optional</b> (Factory Installed) SmartTub® Module	

\*(See Warranty Document for Specific Details)

Dimensions/Specifications Subject To Change Without Notice

# Sundance Spas 880 Capri

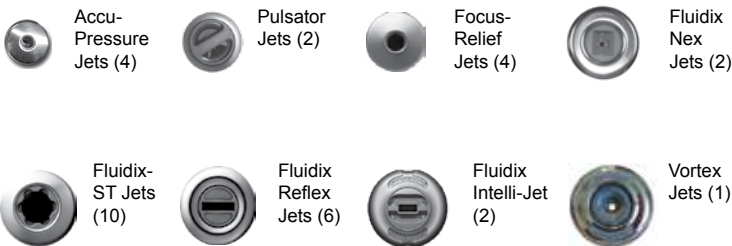
## Operation/Seat Depths



- (A)** Air Control - Activates Seat A Jets (6 Fluidix Reflex, 2 Pulsator, 4 Focus Relief, 4 Accu-Pressure)
- (B)** Massage Selector - Adjusts Massage Level Between Seat A Jets and Seat C Jets + Seat B Jets
- (C)** Air Control - Activates Seat B Jets (2 Fluidix Nex, 10 Fluidix-ST) and Seat C Jets (1 Vortex, 2 Fluidix Intelli-Jet)
- (D)** Waterfall Selector [8-Hour Circ. Pump] - Controls Waterfall Output
- (E)** Sunscents Dispenser

- Focus-Relief Jets: Work with both the blower and Jets Pump 2. The blower introduces air to the jet and the Jets Pump forces water through.

### 31 Total Jets



Spa Operation Subject To Change Without Notice

## SEAT DEPTHS

- A = 24.25" (61.60 cm)**
- B = 26.38" (66.99 cm)**
- C = 25.75" (65.41 cm)**
- D = 26.88" (68.26 cm)**

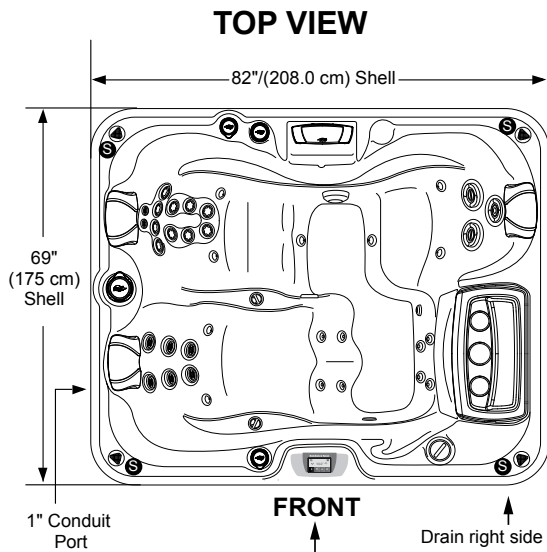
Listed dimensions represent distance from top of acrylic to lowest point in seat. **Tolerance ± 0.5" (1.27 cm).**



Dimensions/Specifications Subject To Change Without Notice

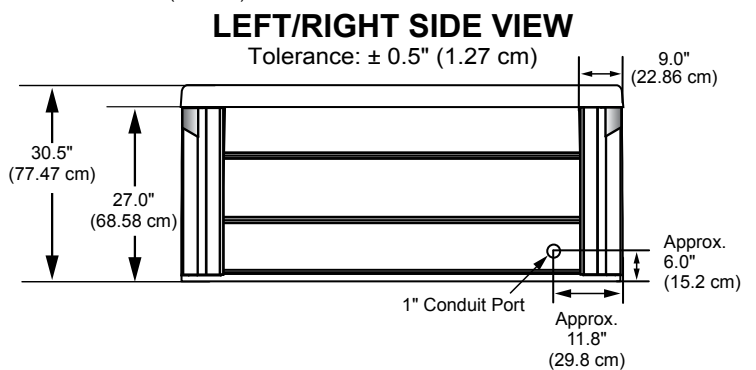
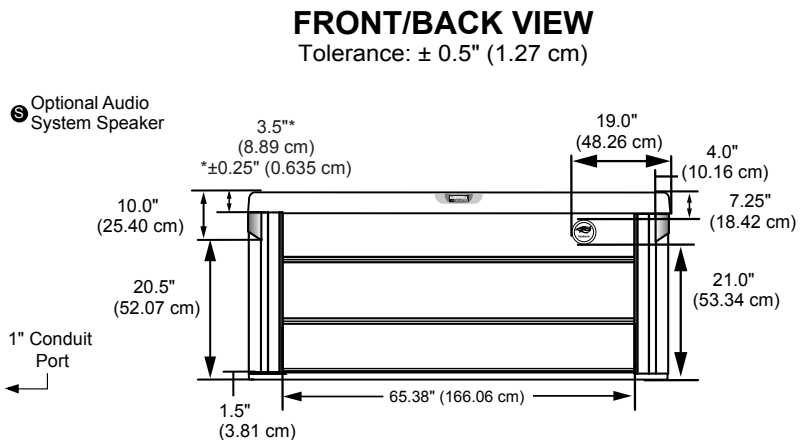
# Sundance Spas 880 Capri

## Portable Dimensions

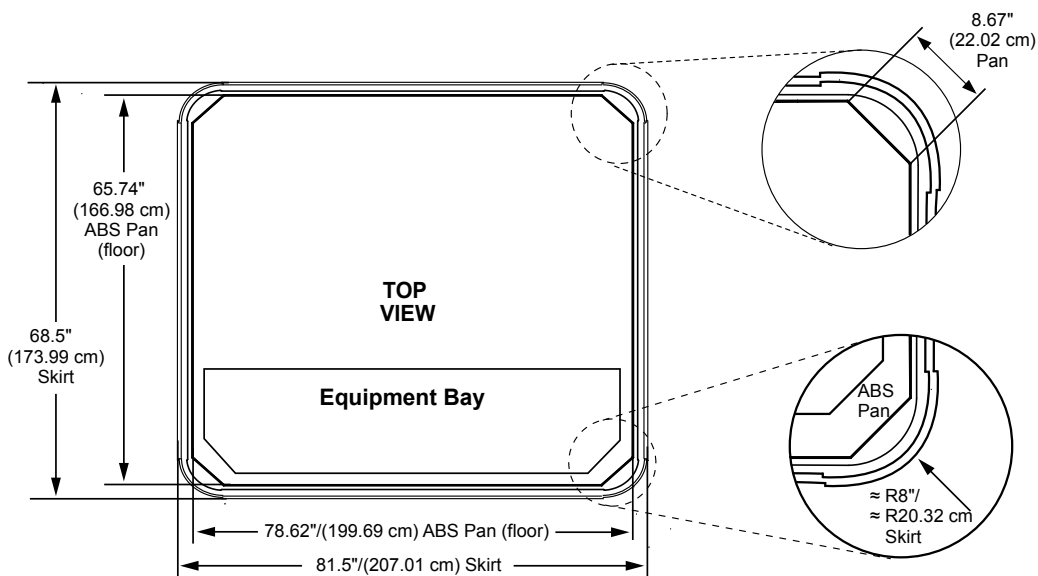


Equipment Bay/Pump Access behind skirt panels (CLEARARRAY, Optional BLUEWAVE, and Optional SmartTub Module behind skirt panels)

**NOTE:** Over time the panel(s) may bow, this is considered normal. The panels will straighten out when reinstalled into the mounting channel. Place one end of the panel into the channel first then flatten the panel and insert the other end.




**IMPORTANT!** Always measure each hot tub for exact dimensions **BEFORE** designing its foundational support and/or decking.

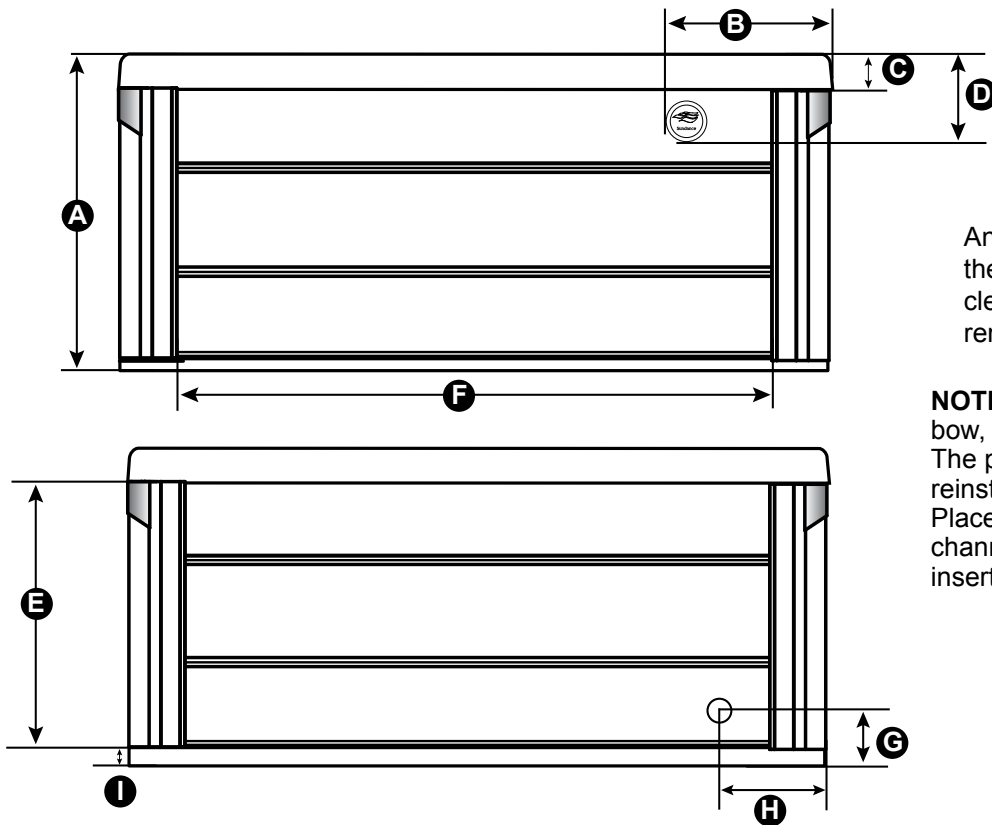


Dimensions/specifications subject to change without notice. Tolerance:  $\pm 0.5"$  (1.27 cm)

Dimensions/Specifications Subject To Change Without Notice

# SunSide Dimensions

Spa Models	DIMENSIONS A-F (All measurements are an approximate)					
	A	B	C* *±0.25" (0.635 cm)	D	E	F
Maxxus	41.5" (105.41 cm)	19.0" (48.26 cm)	5.5" (13.97 cm)	13.0" (33.02 cm)	32.5" (82.55 cm)	73.5" (186.69 cm)
Aspen						
Optima	37.5" (95.25 cm)		3.75" (9.53 cm)	10.75" (27.31 cm)	32.25" (81.92 cm)	71.5" (181.61 cm)
Cameo						63.25" (160.65 cm)
Altamar						58.25" (147.95 cm)
Marin	34" (86.36 cm)		10.25" (26.04 cm)	28.75" (73.03 cm)	58.25" (147.95 cm)	
Capri	30.5" (77.47 cm)	3.5" (8.89 cm)	9.5" (24.13 cm)	25.5" (64.77 cm)	64.25" (163.19 cm)	
DIMENSIONS G-I (All measurements are an approximate)						
	G	H	I	 <p><b>IMPORTANT! Always measure each hot tub for exact dimensions BEFORE designing its foundation support and/or decking.</b></p>		
Maxxus	8.0" (20.32 cm)	13.0" (33.02 cm)	3.5" (8.89 cm)			
Aspen						
Optima	7.0" (17.78 cm)	13.5" (34.29 cm)	1.5" (3.81 cm)			
Cameo						
Altamar						
Marin	6.5" (16.51 cm)	13.0" (33.02 cm)				
Capri	4.0" (10.16 cm)	14.5" (36.86 cm)				
- Dimensions Subject to Change Without Notice - Tolerance: ± 0.5" (1.27 cm)						



An 18" clearance, all around the spa, is recommended. This clearance is needed for panel removal or when servicing.

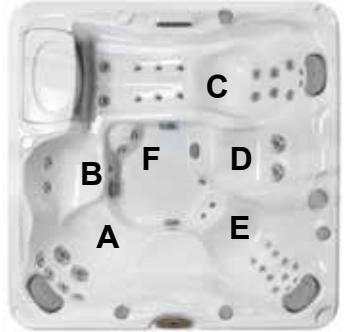
**NOTE:** Over time the panel(s) may bow, this is considered normal. The panels will straighten out when reinstalled into the mounting channel. Place one end of the panel into the channel first then flatten the panel and insert the other end.

Tolerance: ± 0.5" (1.27 cm)

Dimensions/Specifications Subject To Change Without Notice

# Sundance® Spas 780™ Hamilton™

## Specifications

<b>Dimensions:</b> .....	89" x 89" x 36" (226 cm x 226 cm x 91.44 cm)	
<b>Perimeter</b> .....	356" (904.2 cm)	
<b>Seating Capacity:</b> .....	5-6 Adults	
<b>Dry Weight:</b> .....	826 lbs (375 kg)	
<b>Filled Weight (Spa Volume):</b> .....	4,996 lbs (2,266 kg)	
<b>Filled Weight (Average Fill):</b> .....	4,104 lbs (1,861 kg)	
<b>Water Capacity (Spa Volume):</b> .....	500 US Gal. (1,893 Liters)	
<b>Water Capacity (Average Fill):</b> .....	393 US Gal. (1,488 Liters)	
<b>Controls:</b> .....	780 Series Solid-State Electronic Controls with LCD Readout Programmable Water Temperature, Filtration, and Heat Cycles	
<b>Water Delivery:</b> .....	2 High Flow Pumps	
<b>Pump 1:</b> .....	North America (60 Hz): 1-Speed/2.5 HP Continuous, 12.0A Max. <b>Export (50 Hz): 1-Speed/2.0 HP Continuous, 8.0A Max.</b>	
<b>Pump 2:</b> .....	North America (60 Hz): 1-Speed/2.5 HP Continuous, 11.0A Max. <b>Export (50 Hz): 1-Speed/2.0 HP Continuous, 7.0A Max</b>	
<b>Pump 3:</b> .....	24 Hour Programmable Circ Pump, 8 Hour Factory Default	
<b>Total Hydrojets:</b> .....	<b>41</b>	
<b>Seat A Jets:</b> .....	4 Vortex Mini, 2 Vortex	
<b>Seat B Jets:</b> .....	2 SMT Fluidix	
<b>Seat C Jets:</b> .....	2 SMT Micro, 2 Vortex Mini, 6 SMT Fluidix, 6 Adjustable Accu-Pressure	
<b>Seat D Jets:</b> .....	2 Vortex	
<b>Seat E Jets:</b> .....	9 Accu-Pressure, 4 SMT Micro	
<b>Footwell Jet (F):</b> .....	2 Vortex Mini	
<b>Air Controls/Massage Selectors:</b> .....	3/1 Standard air control with LED lights	
<b>Filter:</b> .....	MicroClean® I Filtration System with Floating Weir, 125 ft <sup>2</sup> combined filtration (1 pleated and 1 spun-bound cartridge)	
<b>Water Treatment:</b> .....	8-Hour Circulation Pump; Factory installed CLEARARRAY Active Oxygen™ Clear Water System	
<b>Lighting:</b> .....	Standard Multi-Colored SunRay LED Light; 6 LED Pin lights; Indicator light; Air controls	
<b>Synthetic Cabinet:</b> .....	Available in Coastal, Mahogany, Autumn Walnut	
<b>Shell Colors:</b> .....	North America: Platinum, Celestite (Gypsum), Monaco, Midnight, Porcelain <b>Export (50 Hz): All North America Colors</b>	
<b>Handrails:</b> .....	N/A	
<b>Headrests:</b> .....	Three, 1-Piece Gray	
<b>Heater:</b> .....	North America (60 Hz): 5.5 kW, High Flow <b>Export (50 Hz): High Flow, 2.7 kW</b>	
<b>Electrical Requirements:</b> .....	North America (60 Hz): 240 VAC@40A, 50A, or 60A; <b>Export (50 Hz): 230-240 VAC@1x20A, 1x16A/1x20A, or 3x16A (see manual for more configurations); or Suitably Rated Circuit Breaker to Comply with Local Electrical Regulations. Certain Countries May Require 2 Power Inputs; Two GFCI/RCD Breakers are Required for This Configuration.</b>	
<b>Limited Warranty*:</b> .....	North America (60 Hz): 10 Years Shell, 7 Years Shell Surface, 5 Years for Plumbing Component Leaks, 5 Years Equipment and Controls, 5 Years Cabinet, 2 Years Jets, 2 Years Lights, 1 Year Stereo <b>Export (50 Hz): 10 Years Shell, 7 Years Shell Surface, 5 Years Plumbing, 5 Years Equipment and Controls, 5 Years Cabinet, 2 Years Jets, 2 Years Lights, 2 Years Stereo</b>	
<b>Waterfall Feature:</b> .....	On/Off Flow Rate; Colored Lighting	
<b>Audio System (Optional):</b> .....	Factory Installed BLUEWAVE® Spa Stereo System with an Auxiliary 3.5 mm headphone jack connection and Bluetooth® compatible	
<b>Special Features (Optional):</b> .....	Factory Installed SmartTub® module	

\*(See Warranty Document for Specific Details)

Dimensions/Specifications Subject To Change Without Notice

# Sundance Spas 780 Hamilton

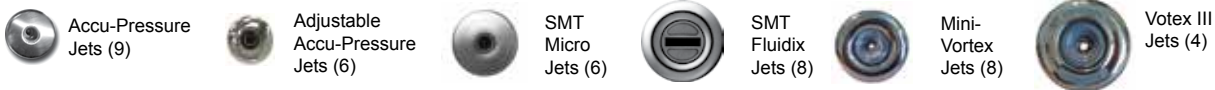
## Operation/Seat Depths



- (A)** Air Control - Activates Seat A Jets (2 Vortex, 4 Vortex Mini) + Seat B Jet (2 SMT Fluidix) + Seat D (2 Vortex) + Footwell Jets (2 Vortex Mini)
- (B)** Air Control - Activates Seat C Jets (2 SMT Micro, 2 Vortex Mini, 6 SMT Fluidix, 6 Adjustable Accu-Pressure)
- (C)** Massage Selector [Pump 1]- Adjusts Massage Level Between Seat C Jets and Seat E Jets
- (D)** Air Control - Activates Seat E Jets (2 SMT Micro, 9 Accu-Pressure)
- (E)** Waterfall Selector [8-Hour Circ. Pump] - Controls Waterfall Output

• Jets Pump 2: Seat A Jets + Seat B Jets + Seat D Jets + Footwell Jets are always on when this pump is running

### 41 Total Jets (Stainless Steel Escutcheons Standard)



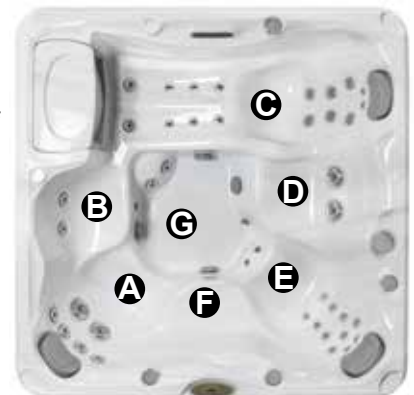
Spa Operation Subject To Change Without Notice

## SEAT DEPTHS

**A = 27.25" (69.22 cm)**  
**B = 20.50" (52.07 cm)**  
**C = 25.50" (64.77 cm)**  
**D = 22.75" (57.79 cm)**

**E = 27.25" (69.22 cm)**  
**F = 18.25" (46.36 cm)**  
**G = 32.50" (82.55 cm)**

Listed dimensions represent distance from top of acrylic to lowest point in seat. Tolerance  $\pm 0.5"$  (1.27 cm).



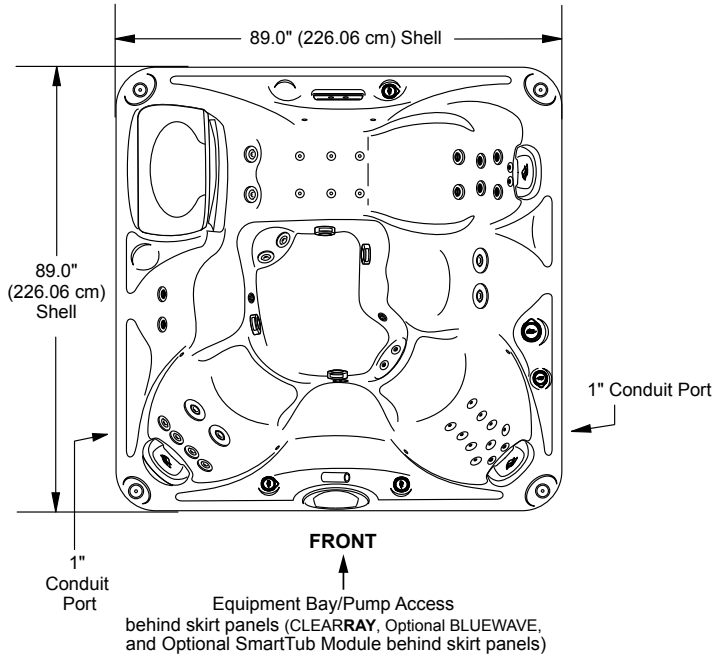
Dimensions/Specifications Subject To Change Without Notice



# Sundance Spas 780 Hamilton

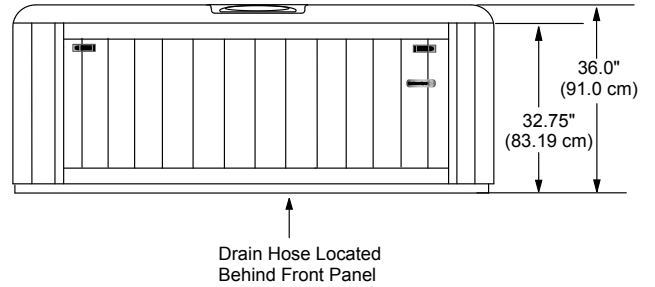
## Portable Dimensions

**TOP VIEW**



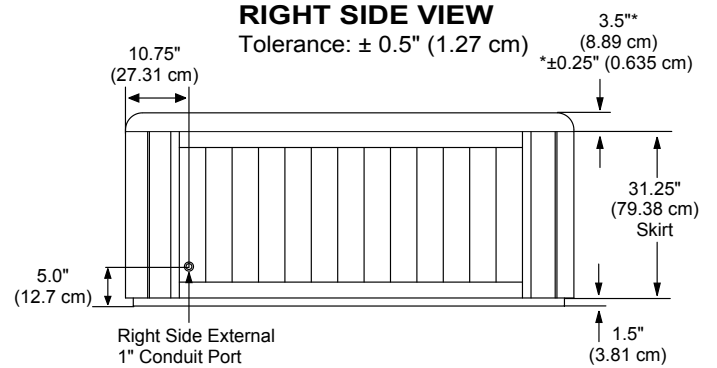
**FRONT/BACK SIDE VIEW**

Tolerance:  $\pm 0.5"$  (1.27 cm)

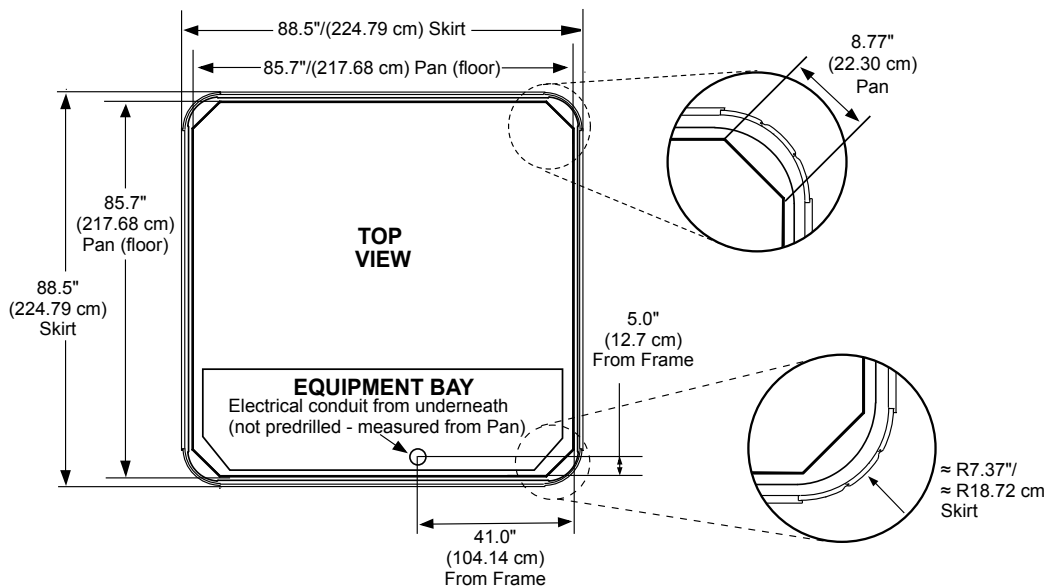


**RIGHT SIDE VIEW**

Tolerance:  $\pm 0.5"$  (1.27 cm)



**IMPORTANT! Always measure each hot tub for exact dimensions BEFORE designing its foundational support and/or decking.**




Dimensions/specifications subject to change without notice. Tolerance:  $\pm 0.5"$  (1.27 cm)

Dimensions/Specifications Subject To Change Without Notice

# Sundance® Spas 780 Chelsee®

## Specifications

<b>Dimensions:</b> .....	89" x 89" x 36" (226 cm x 226 cm x 91.44 cm)	
<b>Perimeter</b> .....	356" (904.2 cm)	
<b>Seating Capacity:</b> .....	6-7 Adults	
<b>Dry Weight:</b> .....	873 lbs (396 kg)	
<b>Filled Weight (Spa Volume):</b> .....	5,210 lbs (2,363 kg)	
<b>Filled Weight (Average Fill):</b> .....	4,209 lbs (1,909 kg)	
<b>Water Capacity (Spa Volume):</b> .....	520 US Gal (1,968 Liters)	
<b>Water Capacity (Average Fill):</b> .....	400 US Gal (1,514 Liters)	
<b>Controls:</b> .....	780 Series Solid-State Electronic Controls with LCD Readout, Programmable Water Temperature, Filtration, and Heat Cycles	
<b>Water Delivery:</b> .....	2 High Flow Pumps	
<b>Pump 1:</b> .....	North America (60 Hz): 1-Speed/2.5 HP Continuous, 12.0A Max., 56 Frame <b>Export (50 Hz): 1-Speed/2.0 HP Continuous, 8.0A Max.</b>	
<b>Pump 2:</b> .....	North America (60 Hz): 1-Speed/2.5 HP Continuous, 11.0A Max., 56 Frame <b>Export (50 Hz): 1-Speed/2.0 HP Continuous, 7.0A Max.</b>	
<b>Pump 3:</b> .....	24 Hour Programmable Circ Pump, 8 Hour Factory Default	
<b>Total Hydrojets:</b> .....	<b>40</b>	
<b>Seat A Jets:</b> .....	2 Vortex	
<b>Seat B Jets:</b> .....	2 SMT Fluidix	
<b>Seat C Jets:</b> .....	4 SMT Micro, 9 Accu-Pressure	
<b>Seat D Jets:</b> .....	1 Vortex	
<b>Seat E Jets:</b> .....	2 SMT Micro, 6 SMT Fluidix	
<b>Seat F Jets:</b> .....	4 Mini-Vortex, 2 Vortex	
<b>Footwell Jets (G):</b> .....	8 Adjustable Accu-Pressure	
<b>Air Controls/Massage Selectors:</b> .....	4/1 Standard air control with LED lights	
<b>Filter:</b> .....	MicroClean® I Filtration System with Floating Weir, 125 ft² combined filtration (1 pleated and 1 spun-bound cartridge)	
<b>Water Treatment:</b> .....	8-Hour Circulation Pump; Factory installed CLEARARRAY Active Oxygen™ Clear Water System	
<b>Lighting:</b> .....	Standard Multi-Colored SunRay LED Light; 7 LED Pin Lights; Indicator light; Air controls	
<b>Synthetic Cabinet:</b> .....	Available in Coastal, Mahogany, Autumn Walnut	
<b>Shell Colors:</b> .....	North America: Platinum, Celestite (Gypsum), Monaco, Midnight, Porcelain <b>Export (50 Hz): All North America Colors</b>	
<b>Handrails:</b> .....	N/A	
<b>Headrests:</b> .....	Four, 1-Piece Gray	
<b>Heater:</b> .....	North America (60 Hz): 5.5 kW, High Flow <b>Export (50 Hz): High Flow, 2.7 kW</b>	
<b>Electrical Requirements:</b> .....	North America (60 Hz): 240 VAC@40A, 50A, or 60A; <b>Export (50 Hz): 230-240 VAC@1x20A, 1x16A/1x20A, or 3x16A (see manual for more configurations); or Suitably Rated Circuit Breaker to Comply with Local Electrical Regulations. Certain Countries May Require Dual Power Inputs; Two GFCI/RCD Breakers are Required for This Configuration.</b>	
<b>Limited Warranty*:</b> .....	North America (60 Hz): 10 Years Shell, 7 Years Shell Surface, 5 Years for Plumbing Component Leaks, 5 Years Equipment and Controls, 5 Years Cabinet, 2 Years Jets, 2 Years Lights, 1 Year Stereo <b>Export (50 Hz): 10 Years Shell, 7 Years Shell Surface, 5 Years Plumbing, 5 Years Equipment and Controls, 5 Years Cabinet, 2 Years Jets, 2 Years Lights, 2 Years Stereo</b>	
<b>Waterfall Feature:</b> .....	On/Off Flow Rate; Colored Lighting	
<b>Audio System (Optional):</b> .....	Factory Installed BLUEWAVE® Spa Stereo System with an Auxiliary 3.5 mm headphone jack connection and Bluetooth® compatible	
<b>Special Features (Optional):</b> .....	Factory Installed SmartTub® module	

\*(See Warranty Document for Specific Details)

Dimensions/Specifications Subject To Change Without Notice



# Sundance Spas 780 Chelsee

## Operation/Seat Depths



- (A)** Air Control - Activates Seat A Jets (2 Vortex) + Seat B Jets (2 SMT Fluidix) + Footwell Jets (2 Adjustable Accu-Pressure)
- (B)** Massage Selector [Pump 1]- Adjusts Massage Level Between Seat C Jets + Footwell Jets (2 Adjustable Accu-Pressure) and Seat F Jets + Footwell Jets (2 Adjustable Accu-Pressure)
- (C)** Air Control - Activates Seat C Jets (4 SMT Micro, 9 Accu-Pressure) + Footwell Jets (2 Adjustable Accu-Pressure)
- (D)** Air Control - Activates Seat D Jet (1 Vortex) + Seat E (2 SMT Micro, 6 SMT Fluidix) + Footwell Jets (2 Adjustable Accu-Pressure)
- (E)** Air Control - Activates Seat F Jets (2 Vortex, 2 Mini-Vortex) + Footwell Jets (2 Adjustable Accu-Pressure)
- (F)** Waterfall Selector [8-Hour Circ. Pump] - Controls Waterfall Output

- Jets Pump 2: Seat A Jets + Seat B Jets + Seat D + Seat E Jets + 4 Footwell Jets are always on when this pump is running

**40 Total Jets (Stainless Steel Escutcheons Standard)**



Spa Operation Subject To Change Without Notice

## SEAT DEPTHS

- A = 25.38" (64.47 cm)**
- B = 21.75" (55.25 cm)**
- C = 27.50" (69.85 cm)**
- D = 21.50" (54.61 cm)**
- E = 25.50" (64.77 cm)**
- F = 24.00" (60.96 cm)**
- G = 18.25" (46.36 cm)**
- H = 29.88" (75.88 cm)**

Listed dimensions represent distance from top of acrylic to lowest point in seat. **Tolerance ± 0.5" (1.27 cm).**

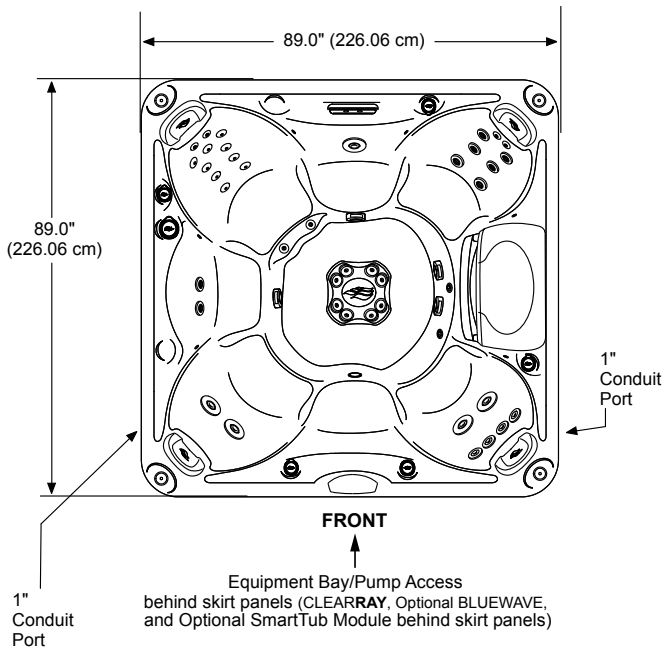


Dimensions/Specifications Subject To Change Without Notice

# Sundance Spas Chelsee

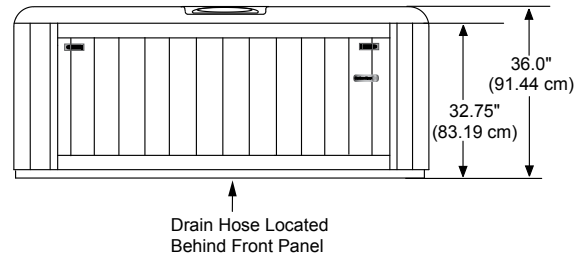
## Portable Dimensions

**TOP VIEW**



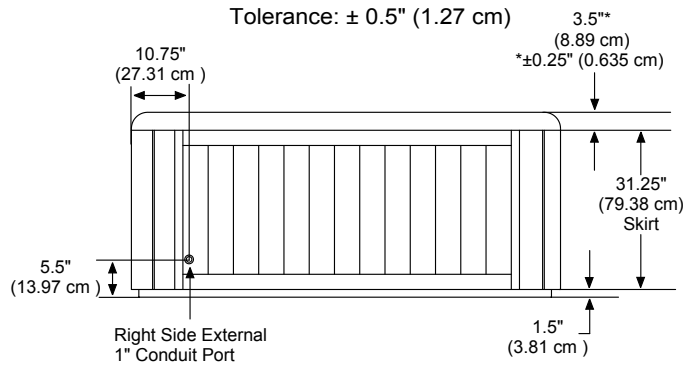
**FRONT/BACK VIEW**

Tolerance:  $\pm 0.5"$  (1.27 cm)

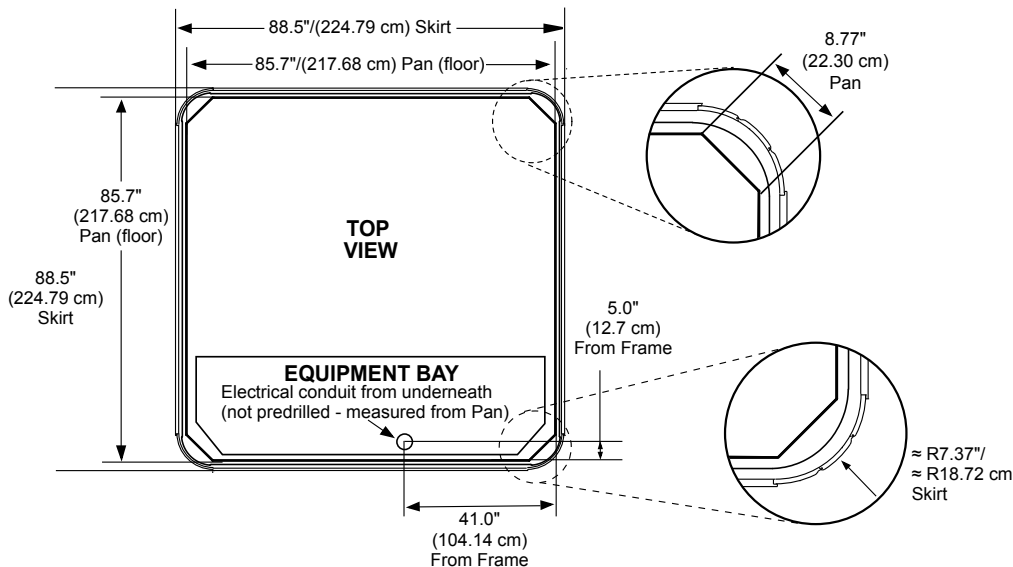


**RIGHT SIDE VIEW**

Tolerance:  $\pm 0.5"$  (1.27 cm)



**IMPORTANT! Always measure each hot tub for exact dimensions BEFORE designing its foundational support and/or decking.**

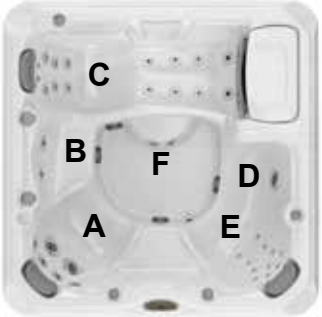


Dimensions/specifications subject to change without notice. Tolerance:  $\pm 0.5"$  (1.27 cm)

Dimensions/Specifications Subject To Change Without Notice

# Sundance® Spas 780 Bristol™

## Specifications

<b>Dimensions:</b> .....	84" x 84" x 36" (213 cm x 213 cm x 91.44 cm)	
<b>Perimeter</b> .....	336" (853.4 cm)	
<b>Seating Capacity:</b> .....	5 Adults	
<b>Dry Weight:</b> .....	745 lbs (338 kg)	
<b>Filled Weight (Spa Volume):</b> .....	4,331 lbs (1,965 kg)	
<b>Filled Weight (Average Fill):</b> .....	3,664 lbs (1,662 kg)	
<b>Water Capacity (Spa Volume):</b> .....	430 US Gal (1,628 Liters)	
<b>Water Capacity (Average Fill):</b> .....	350 US Gal (1,325 Liters)	
<b>Controls:</b> .....	780 Series Solid-State Electronic Controls with LCD Readout, Programmable Water Temperature, Filtration, and Heat Cycles	
<b>Water Delivery:</b> .....	2 High Flow Pump	
<b>Pump 1:</b> .....	North America (60 Hz): 1-Speed/2.5 HP Continuous, 12.0A Max., 56 Frame <b>Export (50 Hz): 1-Speed/2.0 HP Continuous, 8.0A Max.</b>	
<b>Pump 2:</b> .....	North America (60 Hz): 1-Speed/2.5 HP Continuous, 11A Max., 56 Frame <b>Export (50 Hz): 1-Speed/2.0 HP Continuous, 7.0A Max.</b>	
<b>Pump 3:</b> .....	24 Hour Programmable Circ Pump, 8 Hour Factory Default	
<b>Total Hydrojets:</b> .....	<b>38</b>	
<b>Seat A Jets :</b> .....	4 Mini Vortex, 2 Vortex	
<b>Seat B Jets:</b> .....	2 Mini Vortex	
<b>Seat C Jets:</b> .....	2 SMT Micro, 6 SMT Fluidix, 6 Adjustable Accu-Pressure, 2 Mini Vortex	
<b>Seat D Jets:</b> .....	1 Vortex	
<b>Seat E Jets:</b> .....	2 SMT Micro, 9 Accu-Pressure	
<b>Footwell Jets (F):</b> .....	2 Mini Vortex	
<b>Air Controls/Massage Selectors:</b> .....	3/2 Standard air control with LED lights	
<b>Filter:</b> .....	MicroClean® I Filtration System with Floating Weir, 125 ft² combined filtration, (1 pleated and 1 spun-bound cartridge)	
<b>Water Treatment:</b> .....	8-Hour Circulation Pump; Factory installed CLEARRAY Active Oxygen™ Clear Water System	
<b>Lighting:</b> .....	Standard Multi-Colored SunRay LED Light; 6 LED Pin Lights; Indicator light; Air controls	
<b>Synthetic Cabinet:</b> .....	Available in Coastal, Mahogany, Autumn Walnut	
<b>Shell Colors:</b> .....	North America: Platinum, Celestite (Gypsum), Monaco, Midnight, Porcelain <b>Export (50 Hz): All North America Colors</b>	
<b>Handrails:</b> .....	N/A	
<b>Headrests:</b> .....	Three, 1-Piece Gray	
<b>Heater:</b> .....	North America (60 Hz): 5.5 kW, High Flow <b>Export (50 Hz): High Flow, 2.7 kW</b>	
<b>Electrical Requirements:</b> .....	North America (60 Hz): 240 VAC@40A, 50A, or 60A; <b>Export (50 Hz): 230-240 VAC@1x20A, 1x16A/1x20A, or 3x16A (see manual for more configurations); or Suitably Rated Circuit Breaker to Comply with Local Electrical Regulations. Certain Countries May Require Dual Power Inputs; Two GFCI/RCD Breakers are Required for This Configuration.</b>	
<b>Limited Warranty*:</b> .....	North America (60 Hz): 10 Years Shell, 7 Years Shell Surface, 5 Years Plumbing Component Leaks, 5 Years Equipment and Controls, 5 Years Cabinet, 2 Years Jets, 2 Years Lights, 1 Year Stereo <b>Export (50 Hz): 10 Years Shell, 7 Years Shell Surface, 5 Years Plumbing Component Leaks, 5 Years Equipment and Controls, 5 Years Cabinet, 2 Years Jets, 2 Years Lights, 2 Years Stereo</b>	
<b>Waterfall Feature:</b> .....	On/Off Flow Rate on when circulation pump is running; Colored Lighting	
<b>Audio System (Optional):</b> .....	Factory Installed BLUEWAVE® Spa Stereo System with an Auxiliary 3.5 mm headphone jack connection and Bluetooth® compatible	
<b>Special Features (Optional):</b> .....	Factory Installed SmartTub® module	

\*(See Warranty Document for Specific Details)

Dimensions/Specifications Subject To Change Without Notice

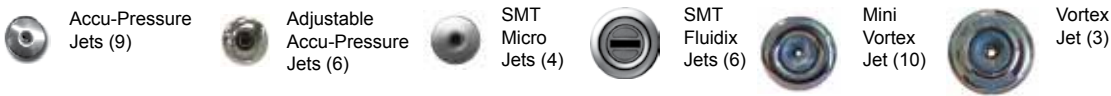
# Sundance Spas 780 Bristol

## Operation/Seat Depths



- (A) Air Control - Activates Seat A Jets (2 Mini Vortex, 2 Vortex)
- (B) Massage Selector [Pump 2]- Adjusts Massage Level Between Seat B Jets + Seat D Jet + Footwell Jets and Seat E Jets
- (C) Massage Selector [Pump 1]- Adjusts Massage Level Between Seat C Jets and Seat A Jets
- (D) Air Control - Seat C Jets (2 SMT Micro, 6 SMT Fluidix, 6 Adjustable Accu-Pressure, 2 Mini Vortex)
- (E) Air Control - Activates Seat E Jets (2 SMT Micro, 9 Accu-Pressure) + Seat D Jets (2 Vortex) + Seat D Jets (2 Vortex) + Footwell Jets (2 Mini Vortex)
- (F) Waterfall Selector [8-Hour Circ. Pump]- Controls Waterfall Output

### 38 Total Jets (Stainless Steel Escutcheons Standard)



Spa Operation Subject To Change Without Notice

## SEAT DEPTHS

**A = 27.00" (68.58 cm)**  
**B = 19.50" (49.53 cm)**  
**C = 25.25" (64.14 cm)**  
**D = 26.25" (66.68 cm)**

**E = 27.50" (69.85 cm)**  
**F = 18.25" (46.36 cm)**  
**G = 32.70" (83.06 cm)**

Listed dimensions represent distance from top of acrylic to lowest point in seat. **Tolerance ± 0.5" (1.27 cm).**

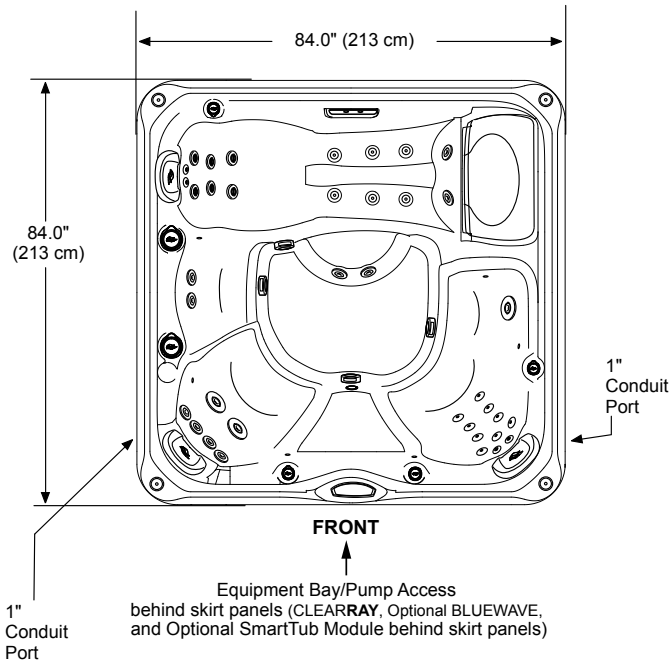


Dimensions/Specifications Subject To Change Without Notice

# Sundance Spas 780 Bristol

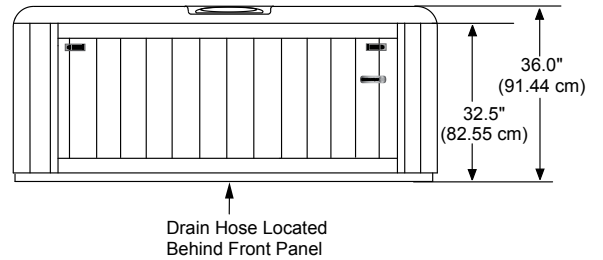
## Portable Dimensions

**TOP VIEW**



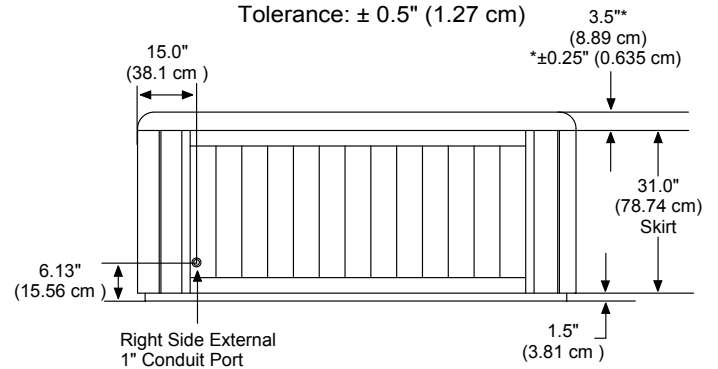
**FRONT/BACK VIEW**

Tolerance:  $\pm 0.5"$  (1.27 cm)

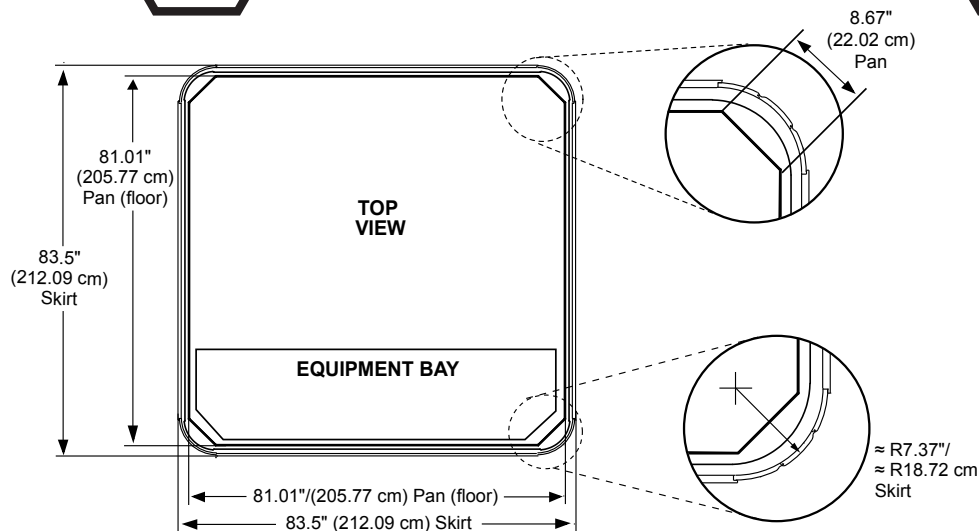


**RIGHT SIDE VIEW**

Tolerance:  $\pm 0.5"$  (1.27 cm)



**IMPORTANT! Always measure each hot tub for exact dimensions BEFORE designing its foundational support and/or decking.**



Dimensions/specifications subject to change without notice. Tolerance:  $\pm 0.5"$  (1.27 cm)

Dimensions/Specifications Subject To Change Without Notice

# Sundance® Spas 780 Montclair™

## Specifications

<b>Dimensions:</b> .....	75" x 91" x 33.5" (191 cm x 231 cm x 85.09 cm)	
<b>Perimeter</b> .....	332" (843.3 cm)	
<b>Seating Capacity:</b> .....	4-5 Adults	
<b>Dry Weight:</b> .....	790 lbs (358 kg)	
<b>Filled Weight (Spa Volume):</b> .....	4,251 lbs (1,928 kg)	
<b>Filled Weight (Average Fill):</b> .....	3,375 lbs (1,531 kg)	
<b>Water Capacity (Spa Volume):</b> .....	415 US Gal (1,571 Liters)	
<b>Water Capacity (Average Fill):</b> .....	310 US Gal (1,173 Liters)	
<b>Controls:</b> .....	780 Series Solid-State Electronic Controls with LED Readout, Programmable Temperature, Filtration, and Heat Cycles	
<b>Water Delivery:</b> .....	2 High Flow Pump	
<b>Pump 1:</b> .....	North America (60 Hz): 1-Speed/2.5 HP Continuous, 12A Max., 56 Frame <b>Export (50 Hz): 1-Speed/2.0 HP continuous, 8.0A Max.</b>	
<b>Pump 2:</b> .....	North America (60 Hz): 1-Speed/2.5 HP Continuous, 11A Max., 56 Frame <b>Export (50 Hz): 1-Speed/2.0 HP Continuous, 7.0A Max.</b>	
<b>Pump 3:</b> .....	24 Hour Programmable Circ Pump, 8 Hour Factory Default	
<b>Total Hydrojets:</b> .....	<b>30</b>	
<b>Seat A Jets:</b> .....	6 SMT Fluidix, 2 Adjustable Accu-Pressure, 2 Mini Vortex	
<b>Seat B Jets:</b> .....	1 Vortex	
<b>Seat C Jets:</b> .....	2 SMT Micro, 9 Accu-Pressure	
<b>Seat D Jets:</b> .....	4 Mini Vortex, 2 Vortex	
<b>Footwell Jets (E):</b> .....	2 Mini Vortex	
<b>Air Controls/Massage Selectors:</b> .....	3/1 Standard air control with LED lights	
<b>Filter:</b> .....	MicroClean® I Filtration System with Floating Weir, 125 ft² combined filtration, (1 pleated and 1 spun-bound cartridge)	
<b>Water Treatment:</b> .....	8-Hour Circulation Pump; Factory installed CLEARARRAY Active Oxygen™ Clear Water System	
<b>Lighting:</b> .....	Standard Multi-Colored SunRay LED Light; 6 LED Pin Lights; Indicator light; Air controls	
<b>Synthetic Cabinet:</b> .....	Available in Coastal, Mahogany, Autumn Walnut	
<b>Shell Colors:</b> .....	North America: Platinum, Celestite (Gypsum), Monaco, Midnight, Porcelain <b>Export (50 Hz): All North America Colors</b>	
<b>Handrails:</b> .....	N/A	
<b>Headrests:</b> .....	Three, 1-Piece Gray	
<b>Heater:</b> .....	North America Model (60 Hz): High Flow 5.5 kW@240 VAC; <b>Export (50 Hz): High Flow, 2.7 kW</b>	
<b>Electrical Requirements:</b> .....	North America Model (60 Hz): 240 VAC@40A, 50A or 60A <b>Export (50 Hz): 230-240 VAC@1x20A, 1x16A/1x20A, or 3x16A (see manual for more configurations); or Suitably Rated Circuit Breaker to Comply with Local Electrical Regulations. Certain Countries May Require Dual Power Inputs; Two GFCI/RCD Breakers are Required for This Configuration.</b>	
<b>Limited Warranty*:</b> .....	North America (60 Hz): 10 Years Shell, 7 Years Shell Surface, 5 Years Plumbing Component Leaks, 5 Years Equipment and Controls, 5 Years Cabinet, 2 Years Jets, 2 Years Lights, 1 Year Stereo <b>Export (50 Hz): 10 Years Shell, 7 Years Shell Surface, 5 Years Plumbing Component Leaks, 5 Years Equipment and Controls, 5 Years Cabinet, 2 Years Jets, 2 Years Lights, 2 Years Stereo</b>	
<b>Waterfall Feature:</b> .....	On/Off Flow Rate on when circulation pump is running; Colored Lighting	
<b>Audio System (Optional):</b> .....	Factory Installed BLUEWAVE® Spa Stereo System with an Auxiliary 3.5 mm headphone jack connection and Bluetooth® compatible	
<b>Special Features (Optional):</b> .....	Factory Installed SmartTub® module	

\*(See Warranty Document for Specific Details)

Dimensions/Specifications Subject To Change Without Notice



# Sundance Spas 780 Montclair

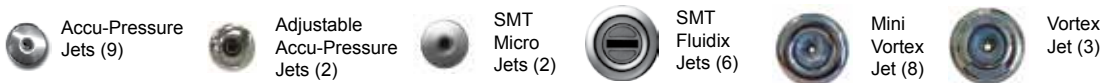
## Operation/Seat Depths



- (A)** Air Control - Activates Seat A Jets (6 SMT Fluidix, 2 Adjustable Accu-Pressure, 2 Mini Vortex)
- (B)** Massage Selector [Pump 1]- Adjusts Massage Level Between Seat A Jets and Seat C Jets
- (C)** Air Control - Activates Seat C Jets (2 SMT Micro, 9 Accu-Pressure)
- (D)** Air Control - Activates Seat B Jets (1 Vortex) + Seat D Jets (4 Mini Vortex, 2 Vortex) + Footwell Jets (2 Mini Vortex)
- (E)** Waterfall Selector [8-Hour Circ. Pump] - Controls Waterfall Output

• Jets Pump 2: Seat B Jets + Seat D Jets + Footwell Jets are always on when the jets pump is running

### 30 Total Jets (Stainless Steel Escutcheons Standard)

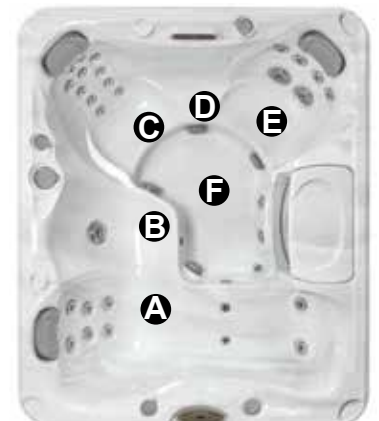


Spa Operation Subject To Change Without Notice

## SEAT DEPTHS

- A = 24.63" (62.55 cm)**
- B = 24.63" (62.55 cm)**
- C = 27.75" (70.49 cm)**
- D = 22.75" (57.79 cm)**
- E = 25.75" (65.41 cm)**
- F = 30.38" (77.15 cm)**

Listed dimensions represent distance from top of acrylic to lowest point in seat. **Tolerance  $\pm 0.5"$  (1.27 cm).**



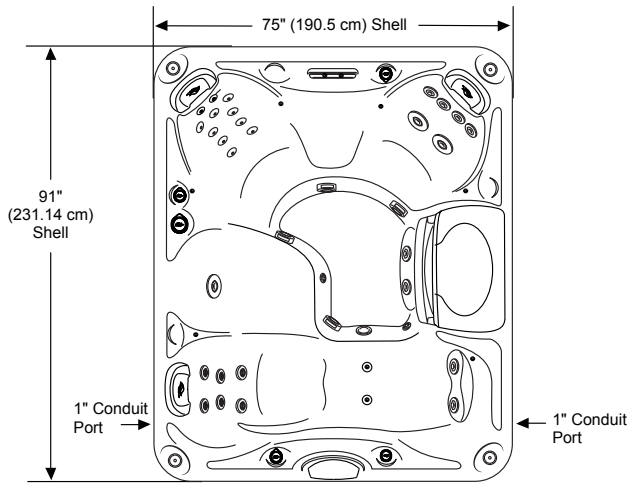
Dimensions/Specifications Subject To Change Without Notice



# Sundance Spas 780 Montclair

## Portable Dimensions

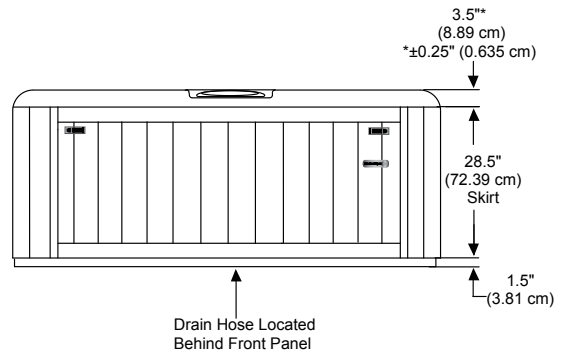
**TOP VIEW**



**FRONT**  
Equipment Bay/Pump Access  
behind skirt panels (CLEARRAY, Optional BLUEWAVE,  
and Optional SmartTub Module behind skirt panels)

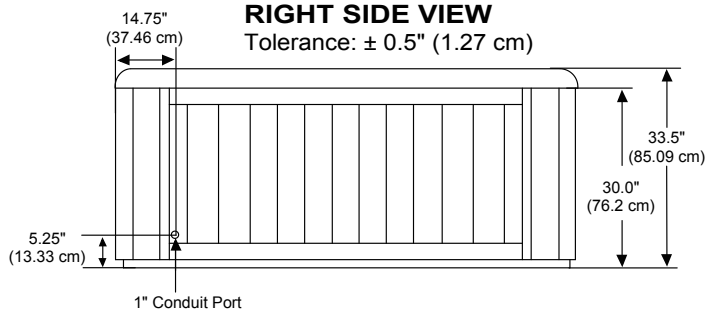
**FRONT/BACK VIEW**

Tolerance:  $\pm 0.5"$  (1.27 cm)

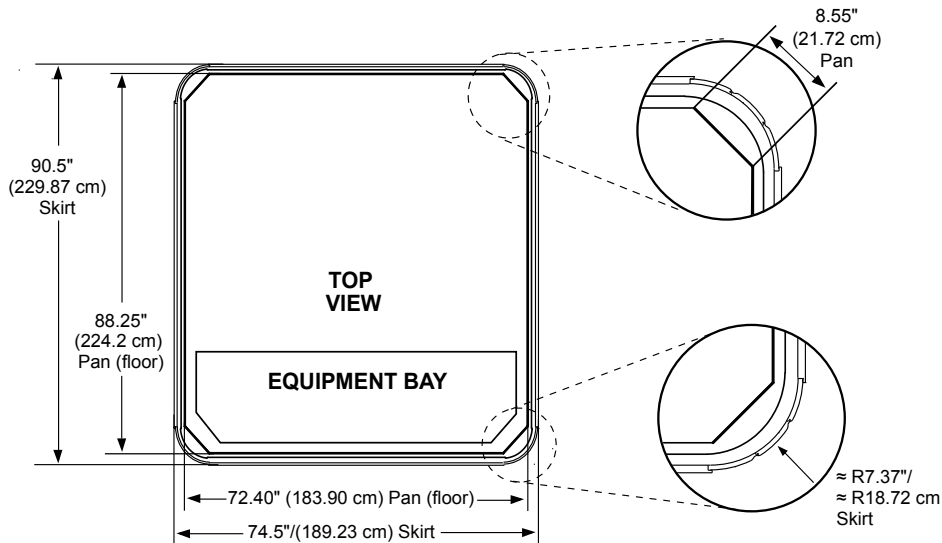


**RIGHT SIDE VIEW**

Tolerance:  $\pm 0.5"$  (1.27 cm)



**IMPORTANT! Always measure each hot tub for exact dimensions BEFORE designing its foundational support and/or decking.**

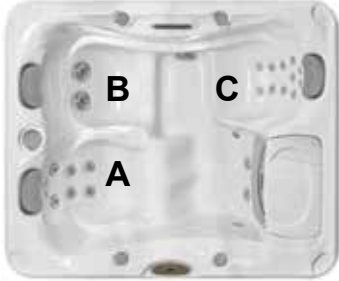


Dimensions/specifications subject to change without notice. Tolerance:  $\pm 0.5"$  (1.27 cm)

Dimensions/Specifications Subject To Change Without Notice

# Sundance® Spas 780 Dover™

## Specifications

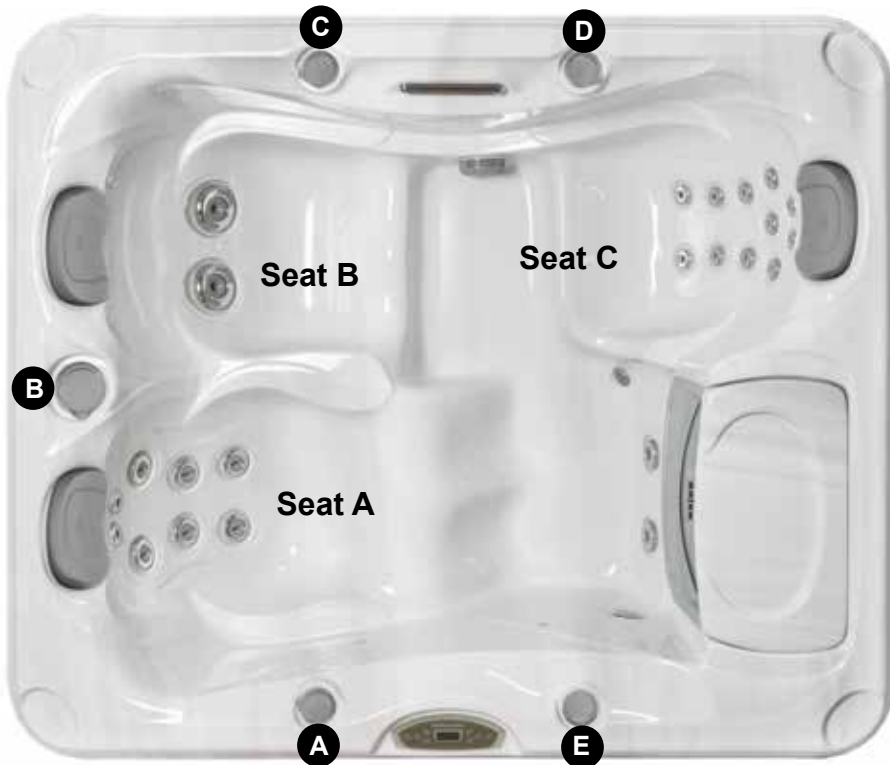
<b>Dimensions:</b> .....	69" x 82" x 30.5" (175.3 cm x 208.3 cm x 77.5 cm)	
<b>Perimeter</b> .....	302" (767.1 cm)	
<b>Seating Capacity:</b> .....	2-3 Adults	
<b>Dry Weight:</b> .....	620 lbs (281 kg)	
<b>Filled Weight (Spa Volume):</b> .....	3,247 lbs (1,473 kg)	
<b>Filled Weight (Average Fill):</b> .....	2,538 lbs (1,151 kg)	
<b>Water Capacity (Spa Volume):</b> .....	315 US Gal (1,192 Liters)	
<b>Water Capacity (Average Fill):</b> .....	230 US Gal (871 Liters)	
<b>Controls:</b> .....	780 Series Solid-State Electronic Controls with LED Readout, Programmable Temperature, Filtration, Heat Cycles	
<b>Water Delivery:</b> .....	1 High-flow pump	
<b>Pump 1:</b> .....	North America (60 Hz): 2-Speed/1.5 HP Continuous, 13.0A Max., 48 Frame <b>Export (50 Hz): 2-Speed/2.0 HP Continuous, 8.0A max.</b>	
<b>Pump 2:</b> .....	24-Hour Filter/Circulation Pump	
<b>Total Hydrojets:</b> .....	<b>23</b>	
<b>Seat A Jets:</b> .....	2 SMT Micro, 6 SMT Fluidix, 2 Mini Vortex	
<b>Seat B Jets:</b> .....	2 Vortex	
<b>Seat C Jets:</b> .....	2 SMT Micro, 9 Accu-Pressure	
<b>Air Controls/Massage Selectors:</b> .....	3/1 Standard air control LED lights	
<b>Filter:</b> .....	MicroClean® Filter System, 125 ft² Combined Filtration, (1 pleated and 1 spun-bound cartridge)	
<b>Water Treatment:</b> .....	24-Hour Circulation Pump; Factory installed CLEARRAY Active Oxygen™ Clear Water System	
<b>Lighting:</b> .....	Standard Multicolored SunRay LED Light; 4 LED Pin Lights; Indicator light; Air controls	
<b>Synthetic Cabinet:</b> .....	Available in Coastal, Mahogany, Autumn Walnut	
<b>Shell Colors:</b> .....	North America: Platinum, Celestite (Gypsum), Monaco, Midnight, Porcelain <b>Export (50 Hz): All North America Colors</b>	
<b>Handrails:</b> .....	N/A	
<b>Headrests:</b> .....	Three, 1-Piece Gray	
<b>Heater:</b> .....	North America Convertible Model (60 Hz): Low Flow, 1 kW@120 VAC or Convertible to 4 kW@240 VAC <b>Export (50 Hz): Low flow, 2.7 kW</b>	
<b>Electrical Requirements:</b> .....	North America Convertible Model (60 Hz): 120 VAC@15A with Supplied GFCI Cord or 240 VAC@30A or 40A (Hard Wired Only); <b>Export (50 Hz): 230-240 VAC@1x16A or 2x16A (see manual for more configurations); or suitably Rated Circuit Breaker to Comply with Local Electrical Regulations. Certain Countries May Require Dual Power Inputs; Two GFCI/RCD Breakers are Required for This Configuration.</b>	
<b>Limited Warranty*:</b> .....	North America (60 Hz): 10 Years Shell, 7 Years Shell Surface, 5 Years Plumbing Component Leaks, 5 Years Equipment and Controls, 5 Years Cabinet, 2 Years Jets, 2 Years Lights, 1 Year Stereo <b>Export (50 Hz): 10 Years Shell, 7 Years Shell Surface, 5 Years Plumbing Component Leaks, 5 Years Equipment and Controls, 5 Years Cabinet, 2 Years Jets, 2 Years Lights, 2 Years Stereo</b>	
<b>Waterfall Feature:</b> .....	On/Off Flow Rate on when pump 1 is running; Colored Lighting	
<b>Audio System (Optional):</b> .....	Factory Installed BLUEWAVE® Spa Stereo System with an Auxiliary 3.5 mm headphone jack connection and Bluetooth® compatible	
<b>Special Features (Optional):</b> .....	Factory Installed SmartTub® module	

\*(See Warranty Document for Specific Details)

Dimensions/Specifications Subject To Change Without Notice

# Sundance Spas 780 Dover

## Operation/Seat Depths



- (A)** Air Control - Activates Seat A Jets (2 SMT Micro, 6 SMT Fluidix, 2 Mini Vortex)
- (B)** Massage Selector [Pump 1]- Adjusts Massage Level Between Seat A Jets + Seat B Jets and Seat C Jets
- (C)** Air Control - Activates Seat B Jets (2 Vortex)
- (D)** Air Control - Activates Seat C Jets (2 SMT Micro, 9 Accu-Pressure)
- (E)** Waterfall Selector [Pump 1] - Controls Waterfall Output

### 23 Total Jets (Stainless Steel Escutcheons Standard)

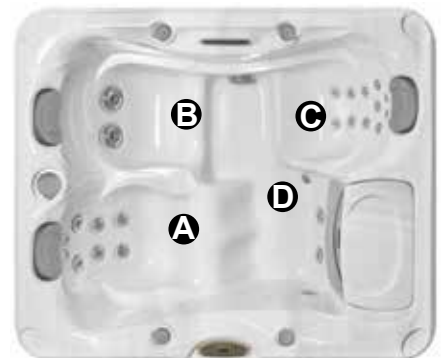


Spa Operation Subject To Change Without Notice

## SEAT DEPTHS

- A = 24.50" (62.23 cm)**
- B = 26.63" (67.63 cm)**
- C = 25.75" (65.41 cm)**
- D = 26.50" (67.31 cm)**

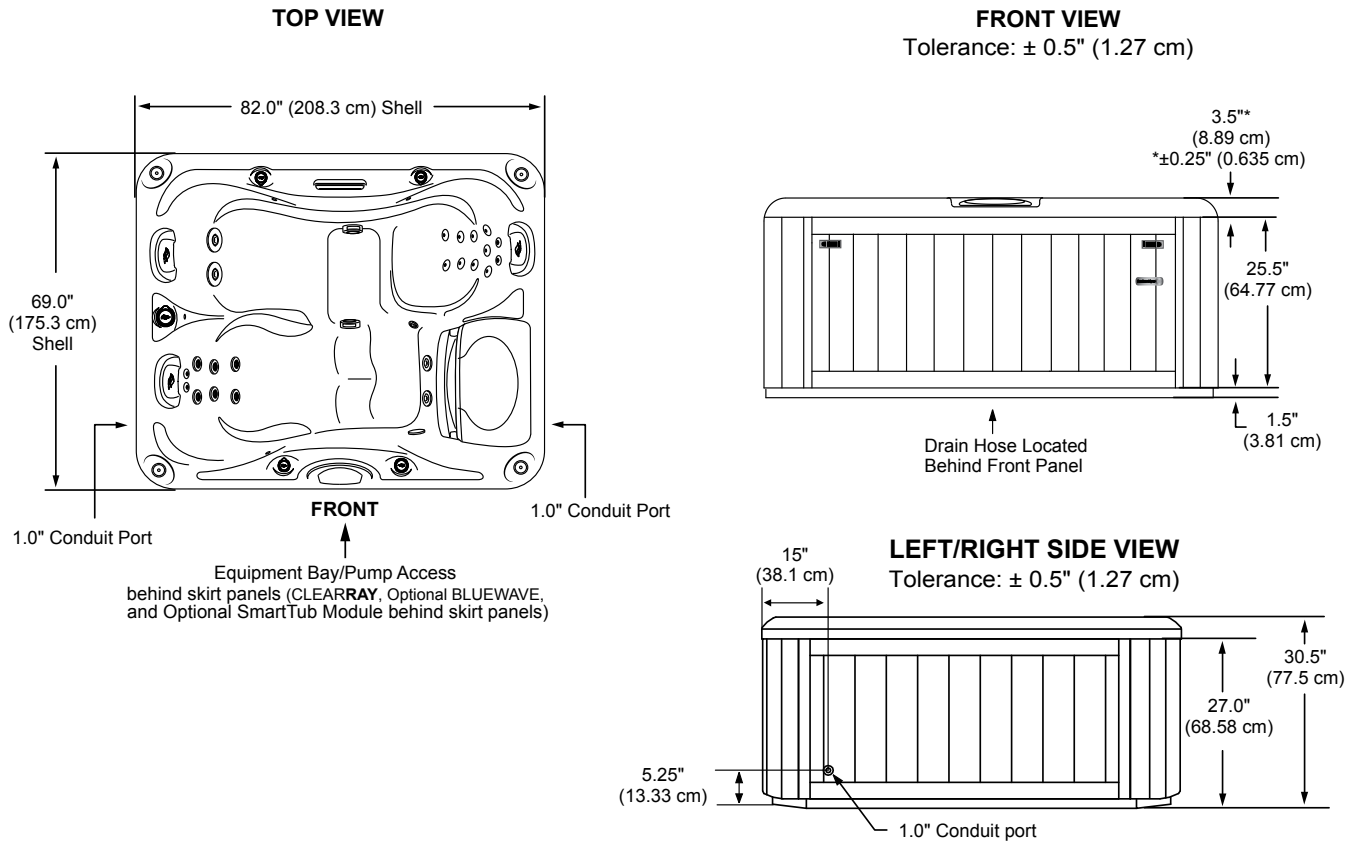
Listed dimensions represent distance from top of acrylic to lowest point in seat. **Tolerance ± 0.5" (1.27 cm).**



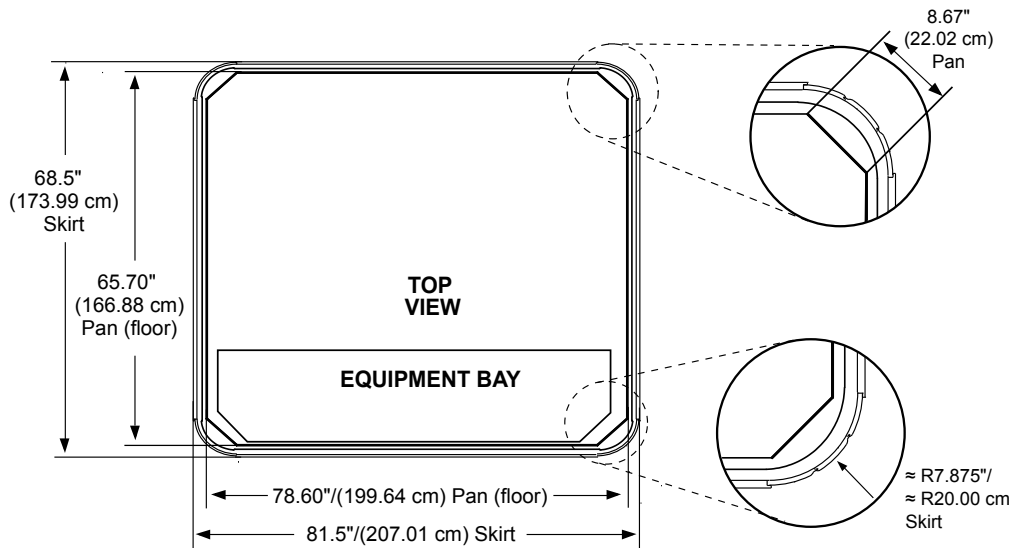
Dimensions/Specifications Subject To Change Without Notice

# Sundance Spas 780 Dover

## Portable Dimensions



**IMPORTANT! Always measure each hot tub for exact dimensions BEFORE designing its foundational support and/or decking.**




Dimensions/specifications subject to change without notice. Tolerance:  $\pm 0.5"$  (1.27 cm)

Dimensions/Specifications Subject To Change Without Notice

# Sundance® Spas 680™ McKinley™

## Specifications

<b>Dimensions:</b> .....	89" x 89" x 36" (226 cm x 226 cm x 91.44 cm)	
<b>Perimeter</b> .....	356" (904.2 cm)	
<b>Seating Capacity:</b> .....	6-7 Adults	
<b>Dry Weight:</b> .....	778 lbs (357 kg)	
<b>Filled Weight (Spa Volume):</b> .....	5,166 lbs (2,343 kg)	
<b>Filled Weight (Average Fill):</b> .....	4,123 lbs (1,870 kg)	
<b>Water Capacity (Spa Volume):</b> .....	525 US Gal (1,987 Liters)	
<b>Water Capacity (Average Fill):</b> .....	400 US Gal (1,514 Liters)	
<b>Controls:</b> .....	Solid-State Electronic Controls with LCD Readout, Programmable Water Temperature, Filtration, and Heat Cycles	
<b>Water Delivery:</b> .....	2 High Flow Pumps	
<b>Pump 1:</b> .....	North America (60 Hz): 2-Speed/2.5 HP Continuous, 11.0A Max., 56 Frame <b>Export (50 Hz): 2-Speed/2.0 HP continuous, 8.0A max.</b>	
<b>Pump 2:</b> .....	North America (60 Hz): 1-Speed/2.5 HP Continuous, 10.0A Max., 56 Frame <b>Export (50 Hz): 1-Speed/2.0 HP continuous, 8.0A max.</b>	
<b>Optional Pump 3:</b> .....	N/A	
<b>Total Hydrojets:</b> .....	<b>42</b>	
<b>Seat A Jets:</b> .....	2 - SL, 4 - SL3R	
<b>Seat B Jets:</b> .....	2 - SL5	
<b>Seat C Jets:</b> .....	2 - SL, 8 - SLR, 1 - SL3	
<b>Seat D Jet:</b> .....	1 - SL5	
<b>Seat E Jets:</b> .....	2 - SL, 6 - SL3	
<b>Seat F Jets:</b> .....	4 - SL3R, 2 - SL5R	
<b>Footwell Jets (G):</b> .....	8 - SL	
<b>Air Controls/Massage Selectors:</b> .....	2/None	
<b>Filter:</b> .....	75 ft <sup>2</sup> MicroClean® Mini™ Filter Cartridge System	
<b>Water Treatment:</b> .....	Factory installed CLEARRAY® unit	
<b>Lighting:</b> .....	LED Lighting System (Interior Surround); 2 Standard Exterior Lights	
<b>Cabinet:</b> .....	Available in Slate, Graphite	
<b>Shell Colors:</b> .....	North America: Platinum, Celestite, Monaco, Midnight, Porcelain <b>Export (50 Hz): All North America Colors</b>	
<b>Headrests:</b> .....	Four, 1-Piece Gray	
<b>Heater:</b> .....	North America (60 Hz): 5.5 kW, 240V High Flow Standard <b>Export (50 Hz): 2.7 kW High Flow Standard</b>	
<b>Electrical Requirements:</b> .....	240 VAC, 60 Hz@40A, 50A or 60A <b>Export (50 Hz): 230-240 VAC@1x16A, 1x32A or 2 out of 3-phase (see manual); or Suitably Rated Circuit Breaker to Comply with Local Electrical Regulations. Certain Countries May Require 2 Power Inputs; Two GFCI/ RCD Breakers are Required for This Configuration.</b>	
<b>Limited Warranty*</b> .....	North America (60 Hz): 5 Years Shell, 3 Years Shell Surface, 3 Years Equipment and Controls, 3 Years Plumbing Component Leaks, 1 Year Cabinet, 1 Year Jets <b>Export (50 Hz): 5 Years Shell, 3 Years Shell Surface, 3 Years Plumbing Component Leaks, 3 Years Equipment and Controls, 1 Year Cabinet, 1 Year Jets</b>	
<b>Alternative Insulation (Standard):</b> .....	Yes (Insulation Panels)	
<b>Waterfall Feature:</b> .....	None	
<b>Audio System (Optional):</b> .....	N/A	
<b>Special Features (Optional):</b> .....	Factory Installed SmartTub® module	

\*(See Warranty Document for Specific Details)

Dimensions/Specifications Subject To Change Without Notice



# Sundance Spas 680 McKinley

## Operation/Seat Depths



**(A)** Air Control 1 - Activates Seat A Jets (2 - SL, 4 - SL3R) + Seat B Jets (2 - SL5) + Seat C (2 - SL, 8 - SLR, 1 - SL3) + Seat D Jet (1 - SL5) + Footwell Jets (4 - SL)

**(B)** Air Control 2 - Activates Seat E Jets (2 - SL, 6 - SL3) + Seat F (4 - SL3R, 2 - SL5R) + Footwell Jets (4 - SL)

- Jets Pump 1: Powers Seat A Jets + Seat B Jets + Seat C Jets + Seat D Jet + 4 Footwell Jets when running

- Jets Pump 2: Powers Seat E Jets + Seat F Jets + 4 Footwell Jets when running

### 42 Total Jets (Stainless Steel Escutcheons Standard)



Spa Operation Subject To Change Without Notice

## SEAT DEPTHS

**A = 25.63" (65.09 cm)**

**B = 23.00" (58.42 cm)**

**C = 27.00" (68.58 cm)**

**D = 22.13" (56.20 cm)**

**E = 27.25" (69.22 cm)**

**F = 26.75" (67.95 cm)**

**G = 20.00" (50.80 cm)**

**H = 30.00" (76.20 cm)**

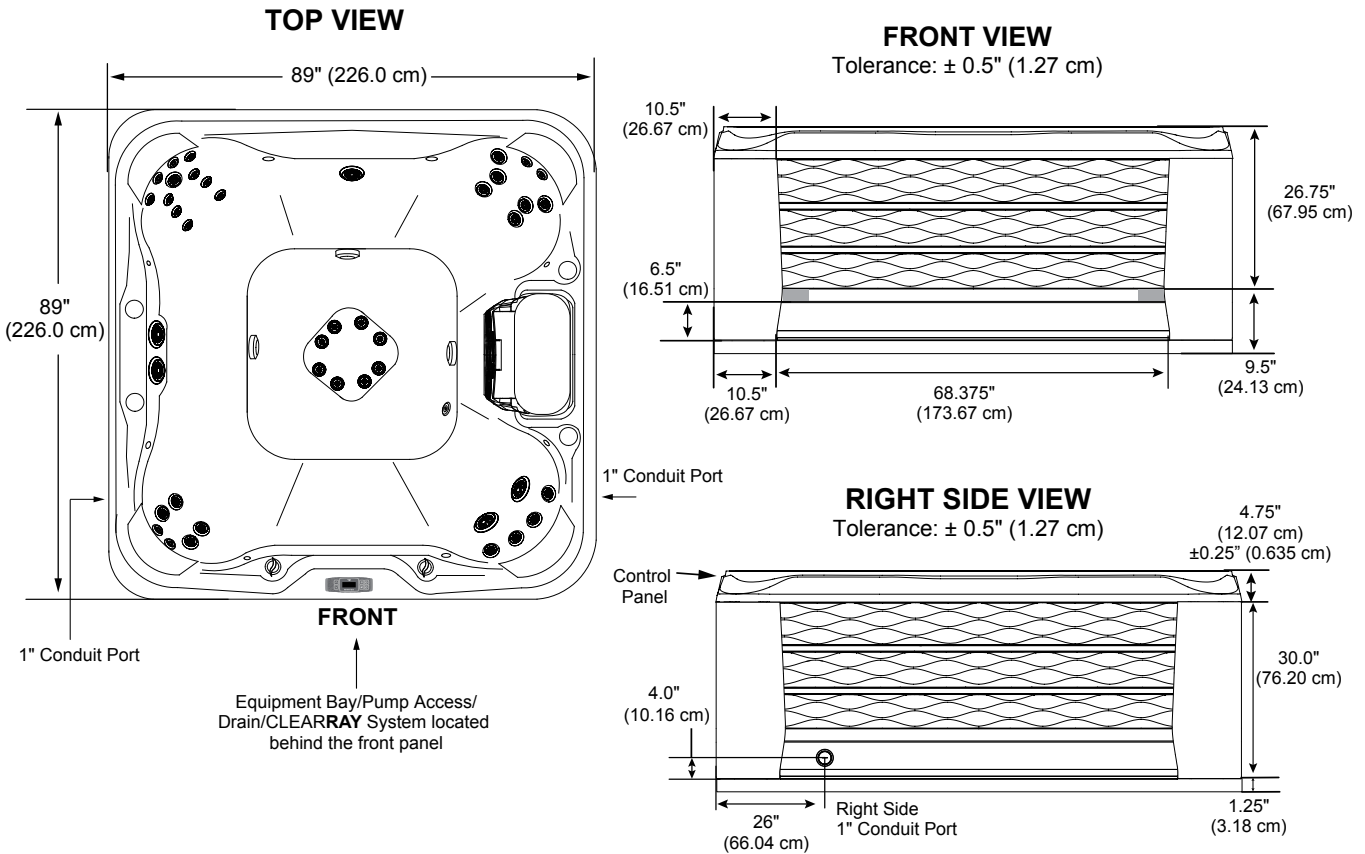
Listed dimensions represent distance from top of acrylic to lowest point in seat. **Tolerance ± 0.5" (1.27 cm).**



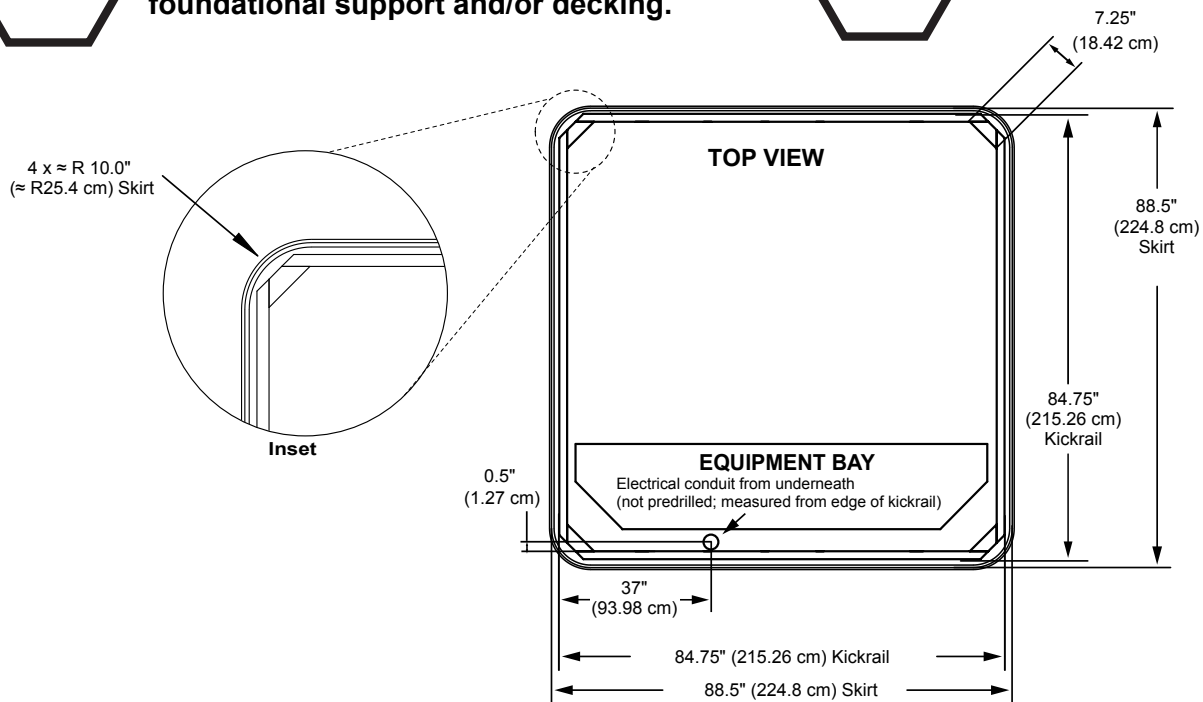
Dimensions/Specifications Subject To Change Without Notice

# Sundance Spas 680 McKinley

## Portable Dimensions



**IMPORTANT! Always measure each hot tub for exact dimensions BEFORE designing its foundational support and/or decking.**




Dimensions/specifications subject to change without notice. Tolerance:  $\pm 0.5"$  (1.27 cm)

Dimensions/Specifications Subject To Change Without Notice

# Sundance® Spas 680 Ramona™

## Specifications

<b>Dimensions:</b> .....	89" x 89" x 36" (226 cm x 226 cm x 91.44 cm)	
<b>Perimeter</b> .....	356" (904.2 cm)	
<b>Seating Capacity:</b> .....	5-6 Adults	
<b>Dry Weight:</b> .....	791 lbs (359 kg)	
<b>Filled Weight (Spa Volume):</b> .....	5,044 lbs (2,288 kg)	
<b>Filled Weight (Average Fill):</b> .....	3,960 lbs (1,796 kg)	
<b>Water Capacity (Spa Volume):</b> .....	510 US Gal (1,931 Liters)	
<b>Water Capacity (Average Fill):</b> .....	380 US Gal (1,438 Liters)	
<b>Controls:</b> .....	Solid-State Electronic Controls with LCD Readout, Programmable Water Temperature, Filtration, and Heat Cycles	
<b>Water Delivery:</b> .....	2 High Flow Pumps	
<b>Pump 1:</b> .....	North America (60 Hz): 2-Speed/2.5 HP Continuous, 11.0A Max., 56 Frame <b>Export (50 Hz): 2-Speed/2.0 HP continuous, 8.0A max.</b>	
<b>Pump 2:</b> .....	North America (60 Hz): 1-Speed/2.5 HP Continuous, 10.0A Max., 56 Frame <b>Export (50 Hz): 1-Speed/2.0 HP continuous, 8.0A max.</b>	
<b>Optional Pump 3:</b> .....	<b>N/A</b>	
<b>Total Hydrojets:</b> .....	<b>38</b>	
<b>Seat A Jets:</b> .....	4 - SL3R, 2 - SL5R	
<b>Seat B Jets:</b> .....	2 - SL3R	
<b>Seat C Jets:</b> .....	8 - SL, 8 - SL3	
<b>Seat D Jet:</b> .....	1 - SL5	
<b>Seat E Jets:</b> .....	2 - SL, 8 - SLR, 1 - SL3	
<b>Foot Well Jets (F):</b> .....	2 - SL3	
<b>Air Controls/Massage Selectors:</b> .....	2/None	
<b>Filter:</b> .....	75 ft <sup>2</sup> MicroClean® Mini™ Filter Cartridge System	
<b>Water Treatment:</b> .....	Factory installed CLEARRAY® unit	
<b>Lighting:</b> .....	LED Lighting System (Interior Surround); 2 Standard Exterior Lights	
<b>Cabinet:</b> .....	Available in Slate, Graphite	
<b>Shell Colors:</b> .....	North America: Platinum, Celestite, Monaco, Midnight, Porcelain <b>Export (50 Hz): All North America Colors</b>	
<b>Headrest:</b> .....	Three, 1-Piece Gray	
<b>Heater:</b> .....	North America (60 Hz): 5.5 kW, High Flow Standard <b>Export (50 Hz): 2.7 kW, High Flow Standard</b>	
<b>Electrical Requirements:</b> .....	North America (60 Hz): 240 VAC, 60 Hz@40A, 50A or 60A; <b>Export (50 Hz): 230-240 VAC@1x16A, 1x32A or 2 out of 3-phase (see manual); or Suitably Rated Circuit Breaker to Comply with Local Electrical Regulations. Certain Countries May Require 2 Power Inputs; Two GFCI/RCD Breakers are Required for This Configuration.</b>	
<b>Limited Warranty*:</b> .....	North America (60 Hz): 5 Years Shell, 3 Years Shell Surface, 3 Years Equipment and Controls, 3 Years Plumbing Component Leaks, 1 Year Cabinet, 1 Year Jets <b>Export (50 Hz): 5 Years Shell, 3 Years Shell Surface, 3 Years Plumbing Component Leaks, 3 Years Equipment and Controls, 1 Year Cabinet, 1 Year Jets</b>	
<b>Alternative Insulation (Standard):</b> .....	Yes (Insulation Panels)	
<b>Waterfall Feature:</b> .....	None	
<b>Audio System (Optional):</b> .....	N/A	
<b>Special Features (Optional):</b> .....	Factory Installed SmartTub® module	

\*(See Warranty Document for Specific Details)

Dimensions/Specifications Subject To Change Without Notice

# Sundance Spas 680 Ramona

## Operation/Seat Depths



**(A)** Air Control - Activates Seat A Jets (4 - SL3R, 2 - SL5R) + Seat B Jets (2 - SL3R) + Seat E Jets (2 - SL, 8 - SLR, 1 - SL3) + Footwell Jets (2 - SL3)

**(B)** Air Control - Activates Seat C Jets (8 - SL, 8 - SL3) + Seat D Jet (1 - SL5)

- Jets Pump 1: Powers Seat A Jets + Seat B Jets + Seat E Jets + Footwell Jets when running

- Jets Pump 2: Powers Seat C Jets + Seat D Jets when running

### 38 Total Jets (Stainless Steel Escutcheons Standard)



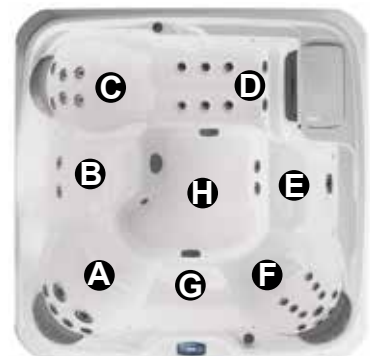
Spa Operation Subject To Change Without Notice

## SEAT DEPTHS

**A = 27.00" (66.58 cm)**  
**B = 23.00" (58.42 cm)**  
**C = 25.25" (64.14 cm)**  
**D = 22.50" (57.15 cm)**

**E = 23.00" (58.42 cm)**  
**F = 27.00" (68.58 cm)**  
**G = 20.00" (50.80 cm)**  
**H = 30.00" (76.20 cm)**

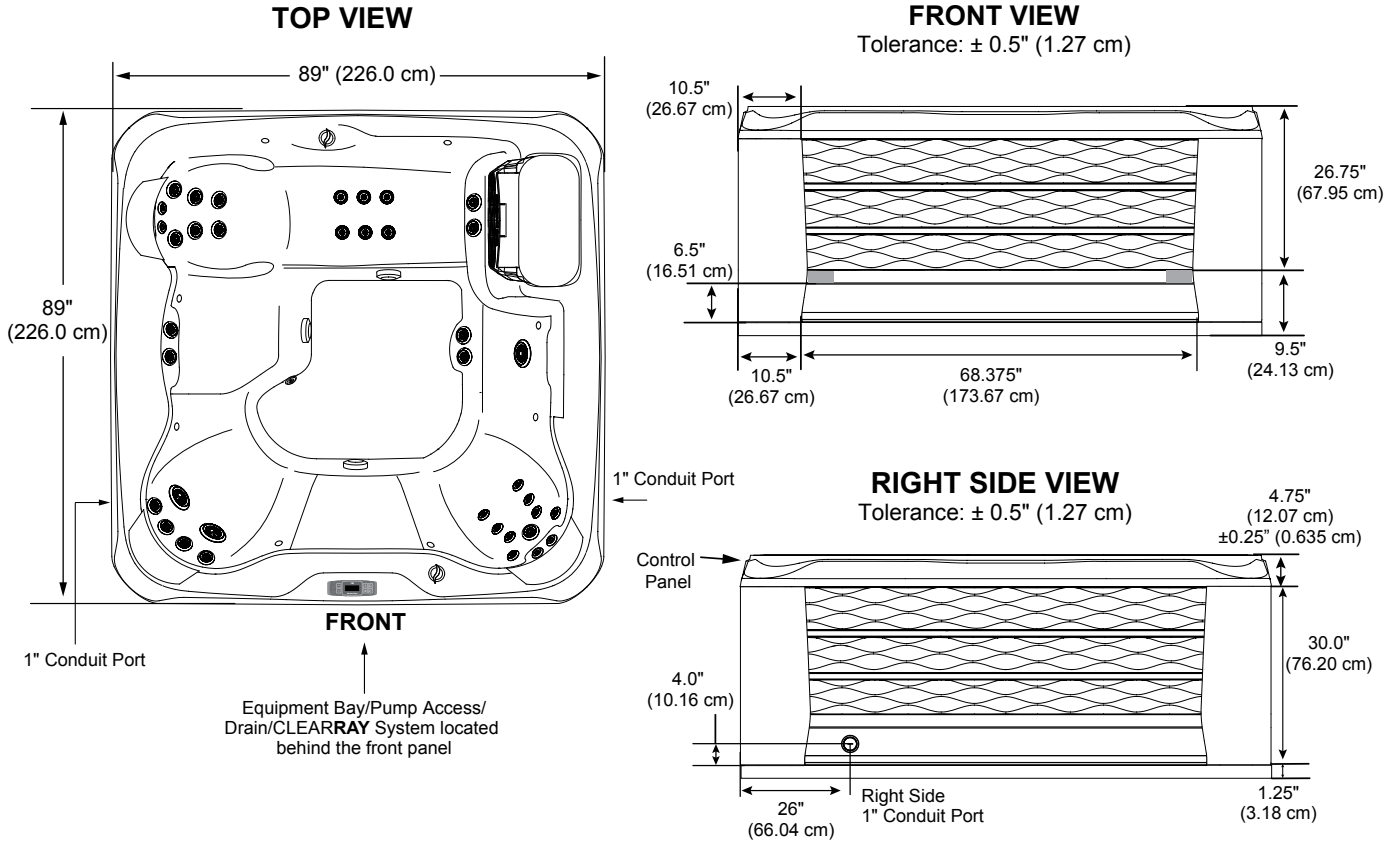
Listed dimensions represent distance from top of acrylic to lowest point in seat. **Tolerance ± 0.5" (1.27 cm).**



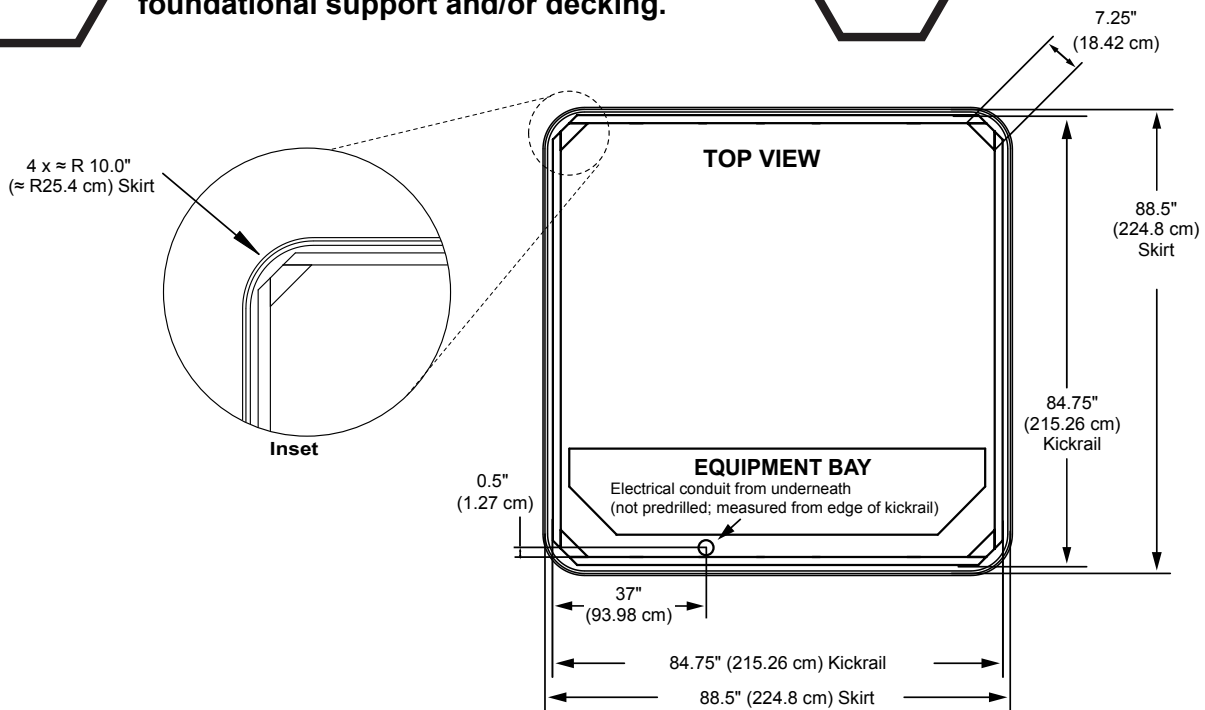
Dimensions/Specifications Subject To Change Without Notice

# Sundance Spas 680 Ramona

## Portable Dimensions



**IMPORTANT!** Always measure each hot tub for exact dimensions **BEFORE** designing its foundational support and/or decking.




Dimensions/specifications subject to change without notice. Tolerance:  $\pm 0.5"$  (1.27 cm)

Dimensions/Specifications Subject To Change Without Notice



# Sundance® Spas 680 Edison®

## Specifications

<b>Dimensions:</b> .....	84" x 84" x 36" (213.5 cm x 213.5 cm x 91.44 cm)	
<b>Perimeter</b> .....	336" (853.4 cm)	
<b>Seating Capacity:</b> .....	6 Adults	
<b>Dry Weight:</b> .....	737 lbs (334 kg)	
<b>Filled Weight (Spa Volume):</b> .....	4,490 lbs (2,037 kg)	
<b>Filled Weight (Average Fill):</b> .....	3,614 lbs (1,639 kg)	
<b>Water Capacity (Spa Volume):</b> .....	450 US Gal (1,703 Liters)	
<b>Water Capacity (Average Fill):</b> .....	345 US Gal (1,306 Liters)	
<b>Controls:</b> .....	Solid-State Electronic Controls with LCD Readout, Programmable Water Temperature, Filtration, and Heat Cycles	
<b>Water Delivery:</b> .....	2 High-Flow Pump	
<b>Pump 1:</b> .....	North America (60 Hz): 2-Speed/2.5 HP Continuous, 11.0A Max., 56 Frame <b>Export (50 Hz): 2-Speed/2.0 HP continuous, 8.0A max.</b>	
<b>Pump 2:</b> .....	North America (60 Hz): 1-Speed/2.5 HP Continuous, 10A max., 56 Frame <b>Export (50 Hz): 1-Speed/2.0 HP continuous, 8.0A max.</b>	
<b>Total Hydrojets:</b> .....	<b>36</b>	
<b>Seat A Jets:</b> .....	2 - SL, 8 - SLR, 1- SL3	
<b>Seat B Jet:</b> .....	1 - SL3R	
<b>Seat C Jets:</b> .....	2 - SL, 6 - SL3	
<b>Seat D Jets:</b> .....	2 - SL3R	
<b>Seat E Jets:</b> .....	3 - SL3, 1- SL5R	
<b>Seat F Jet:</b> .....	2 - SL, 4 - SL3R	
<b>Foot Well Jets (G):</b> .....	4 - SL	
<b>Air Controls/Massage Selectors:</b> .....	2/None	
<b>Filter:</b> .....	75 ft <sup>2</sup> MicroClean® Mini™ Filter Cartridge System	
<b>Water Treatment:</b> .....	Factory installed CLEARRAY® unit	
<b>Lighting:</b> .....	LED Lighting System (Interior Surround); 2 Standard Exterior Lights	
<b>Cabinet:</b> .....	Available in Slate, Graphite	
<b>Shell Colors:</b> .....	North America: Platinum, Celestite, Monaco, Midnight, Porcelain <b>Export (50 Hz): All North America colors</b>	
<b>Headrest:</b> .....	Four, 1-piece gray	
<b>Heater:</b> .....	North America (60 Hz): 5.5 kW 240V High Flow Standard <b>Export (50 Hz): 2.7 kW High Flow Standard</b>	
<b>Electrical Requirements:</b> .....	North America (60 Hz): 240 VAC@40A, 50A or 60A <b>Export (50 Hz): 230-240 VAC@1x16A, 1x32A or 2 out of 3-phase (see manual); or Suitably Rated Circuit Breaker to Comply with Local Electrical Regulations. Certain Countries May Require 2 Power Inputs; Two GFCI/ RCD Breakers are Required for This Configuration.</b>	
<b>Limited Warranty*:</b> .....	North America (60 Hz): 5 Years Shell, 3 Years Shell Surface, 3 Years Plumbing Component Leaks, 3 Years Equipment and Controls, 1 Year Cabinet, 1 Year Jets <b>Export (50 Hz): 5 Years Shell, 3 Years Shell Surface, 3 Years Plumbing Component Leaks, 3 Years Equipment and Controls, 1 Year Cabinet, 1 Year Jets</b>	
<b>Alternative Insulation (Standard):</b> .....	Yes (Insulation Panels)	
<b>Waterfall Feature:</b> .....	None	
<b>Audio System (Optional):</b> .....	N/A	
<b>Speial Features (Optional):</b> .....	Factory Installed SmartTub® module	

\*(See Warranty Document for Specific Details)

Dimensions/Specifications Subject To Change Without Notice

# Sundance Spas 680 Edison

## Operation/Seat Depths



**(A)** Air control - Activates Seat A Jets (2 - SL, 8 - SLR, 1 - SL3) Seat B Jet (1 - SL3R) + Seat C Jets (2 - SL, 6 - SL3) + Footwell Jets (2 - SL)

**(B)** Air Control - Activates Seat D Jets (2 - SL3R) + Seat E Jets (3 - SL3, 1 - SL5R) + Seat F Jets (2 - SLR3, 4 - SL3R) + Footwell Jets (2 - SL)

- Jets Pump 1: Powers Seat D Jets + Seat E Jets + Seat F + Footwell Jets (qty 2) when running

- Jets Pump 2: Seat A Jets + Seat B Jet + Seat C Jets + Footwell Jets (qty 2) when running

**36 Total Jets (Stainless Steel Escutcheons Standard)**



SL Jets (10)



SLR Jets (8)



SL3 Jets (10)



SL3R Jets (7)



SL5R Jet (1)

Spa Operation Subject To Change Without Notice

## SEAT DEPTHS

**A = 23.50" (59.69 cm)**

**B = 20.75" (52.71 cm)**

**C = 25.00" (63.50 cm)**

**D = 22.00" (55.88 cm)**

**E = 25.50" (64.77 cm)**

**F = 23.75" (60.33 cm)**

**G = 21.75" (54.25 cm)**

**H = 30.00" (76.20 cm)**

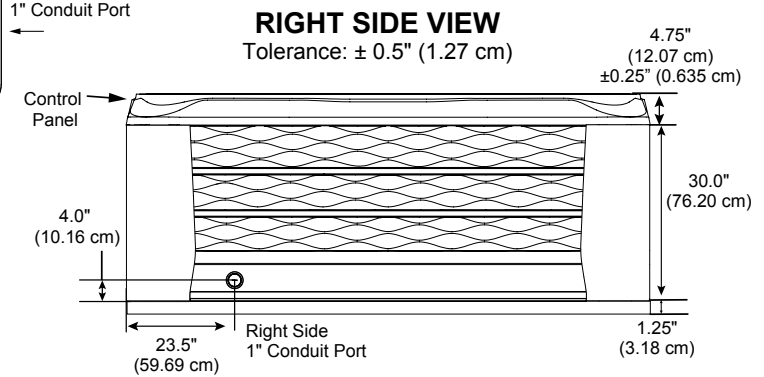
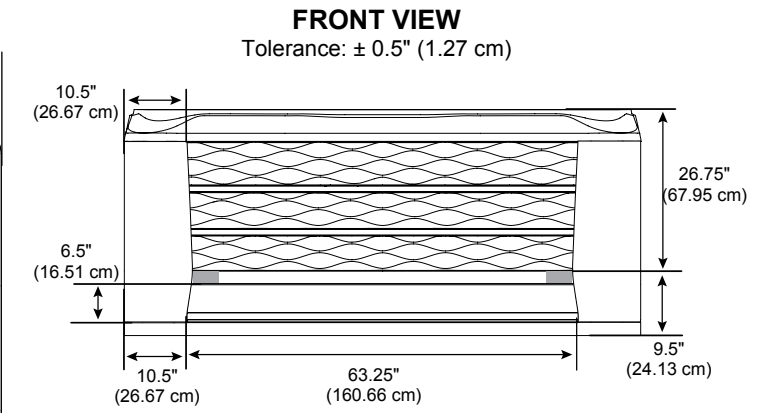
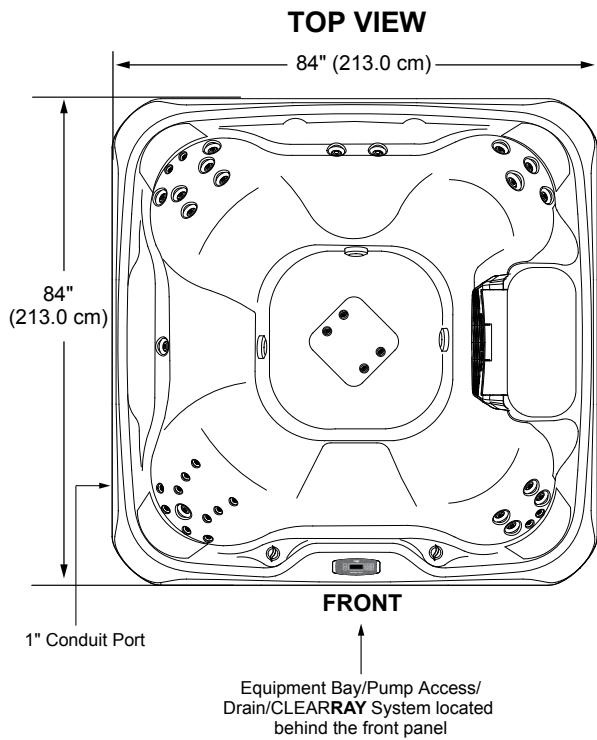
Listed dimensions represent distance from top of acrylic to lowest point in seat. **Tolerance ± 0.5" (1.27 cm).**



Dimensions/Specifications Subject To Change Without Notice

# Sundance Spas 680 Edison

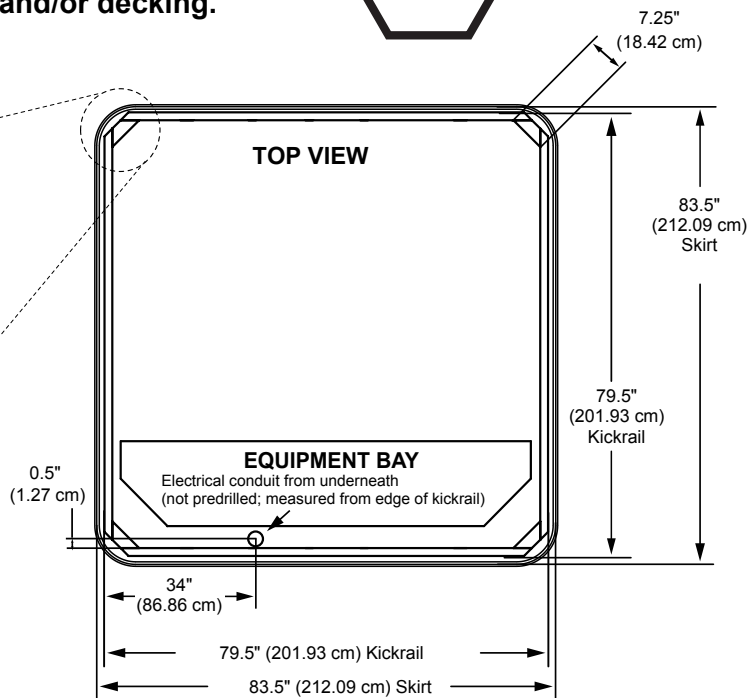
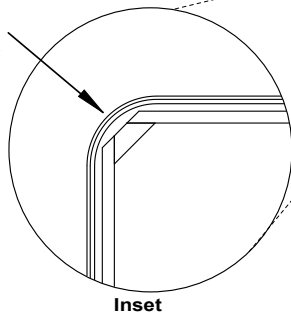
## Portable Dimensions



**IMPORTANT!** Always measure each hot tub for exact dimensions **BEFORE** designing its foundational support and/or decking.



4 x ≈ R 10.0"  
(≈ R25.4 cm) Skirt



Dimensions/specifications subject to change without notice. Tolerance: ± 0.5" (1.27 cm)

Dimensions/Specifications Subject To Change Without Notice

# Sundance® Spas 680 Peyton®

## Specifications

<b>Dimensions:</b> .....	84" x 84" x 36" (213 cm x 213 cm x 91 cm)	
<b>Perimeter</b> .....	336" (853.4 cm)	
<b>Seating Capacity:</b> .....	6 Adults	
<b>Dry Weight:</b> .....	736 lbs (334 kg)	
<b>Filled Weight (Spa Volume):</b> .....	4,364 lbs (1,979 kg)	
<b>Filled Weight (Average Fill):</b> .....	3,447 lbs (1,563 kg)	
<b>Water Capacity (Spa Volume):</b> .....	435 US Gal (1,647 Liters)	
<b>Water Capacity (Average Fill):</b> .....	325 US Gal (1,230 Liters)	
<b>Controls:</b> .....	Solid-State Electronic Controls with LCD Readout, Programmable Water Temperature, Filtration, and Heat Cycles	
<b>Water Delivery:</b> .....	2 High-Flow Pump	
<b>Pump 1:</b> .....	North America (60 Hz): 2-Speed/2.5 HP Continuous, 11.0A Max., 56 Frame <b>Export (50 Hz): 2-Speed/2.0 HP continuous, 8.0A max.</b>	
<b>Pump 2:</b> .....	North America (60 Hz): 1-Speed/2.5 HP Continuous, 10A max., 56 Frame <b>Export (50 Hz): 1-Speed/2.0 HP continuous, 8.0A max.</b>	
<b>Total Hydrojets:</b> .....	<b>34</b>	
<b>Seat A Jets:</b> .....	4 - SL3R, 2 - SL5R	
<b>Seat B Jets:</b> .....	2 - SL3R	
<b>Seat C Jets:</b> .....	2 - SLR, 2 - SL, 8 - SL3	
<b>Seat D Jet:</b> .....	1 - SL3R	
<b>Seat E Jets:</b> .....	2 - SLR, 8 - SL, 1 - SL3	
<b>Foot Well Jets (F):</b> .....	2 - SL3	
<b>Air Controls/Massage Selectors:</b> .....	2/None	
<b>Filter:</b> .....	75 ft <sup>2</sup> MicroClean® Mini™ Filter Cartridge System	
<b>Water Treatment:</b> .....	Factory installed CLEARRAY® unit	
<b>Lighting:</b> .....	LED Lighting System (Interior Surround); 2 Standard Exterior Lights	
<b>Cabinet:</b> .....	Available in Slate, Graphite	
<b>Shell Colors:</b> .....	North America: Platinum, Celestite, Monaco, Midnight, Porcelain <b>Export (50 Hz): All North America colors</b>	
<b>Headrest:</b> .....	Three, 1-piece gray	
<b>Heater:</b> .....	North America (60 Hz): 5.5 kW 240V High Flow Standard <b>Export (50 Hz): 2.7 kW High Flow Standard</b>	
<b>Electrical Requirements:</b> .....	North America (60 Hz): 240 VAC@40A, 50A or 60A <b>Export (50 Hz): 230-240 VAC@1x16A, 1x32A or 2 out of 3-phase (see manual); or Suitably Rated Circuit Breaker to Comply with Local Electrical Regulations. Certain Countries May Require 2 Power Inputs; Two GFCI/RCD Breakers are Required for This Configuration.</b>	
<b>Limited Warranty*:</b> .....	North America (60 Hz): 5 Years Shell, 3 Years Shell Surface, 3 Years Plumbing Component Leaks, 3 Years Equipment and Controls, 1 Year Cabinet, 1 Year Jets <b>Export (50 Hz): 5 Years Shell, 3 Years Shell Surface, 3 Years Plumbing Component Leaks, 3 Years Equipment and Controls, 1 Year Cabinet, 1 Year Jets</b>	
<b>Alternative Insulation (Standard):</b> .....	Yes (Insulation Panels)	
<b>Waterfall Feature:</b> .....	None	
<b>Audio System (Optional):</b> .....	N/A	
<b>Special Features (Optional):</b> .....	Factory Installed SmartTub® module	

\*(See Warranty Document for Specific Details)

Dimensions/Specifications Subject To Change Without Notice

# Sundance Spas 680 Peyton

## Operation/Seat Depths



**(A)** Air Control - Activates Seat A Jets (4 - SL3R, 2 - SL5R) + Seat B Jets (2 - SL3R) + Seat E Jets (2 - SLR, 8 - SL, 1 - SL3) + Footwell Jets (2 - SL3)

**(B)** Air Control - Activates Seat C Jets (2 - SLR, 2 - SL, 8 - SL3) + Seat D Jet (1 - SLR)

- Jets Pump 1: Powers Seat A Jets + Seat B Jets + Seat E Jets + Footwell Jets when running

- Jets Pump 2: Seat C Jets + Seat D Jet when running

### 34 Total Jets (Stainless Steel Escutcheons Standard)



SL Jets (10)



SLR Jets (4)



SL3 Jets (11)



SL3R Jets (7)



SL5R Jets (2)

Spa Operation Subject To Change Without Notice

## SEAT DEPTHS

**A = 26.63" (67.63 cm)**

**B = 22.50" (57.15 cm)**

**C = 25.00" (63.50 cm)**

**D = 22.00" (55.88 cm)**

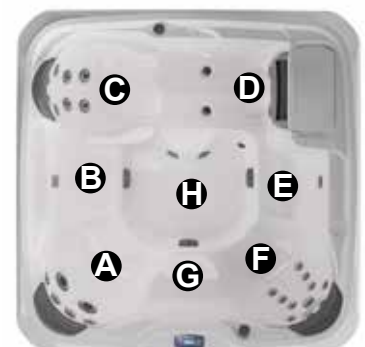
**E = 22.50" (57.15 cm)**

**F = 26.88" (69.85 cm)**

**G = 19.75" (50.16 cm)**

**H = 30.00" (76.20 cm)**

Listed dimensions represent distance from top of acrylic to lowest point in seat. Tolerance  $\pm 0.5"$  (1.27 cm).

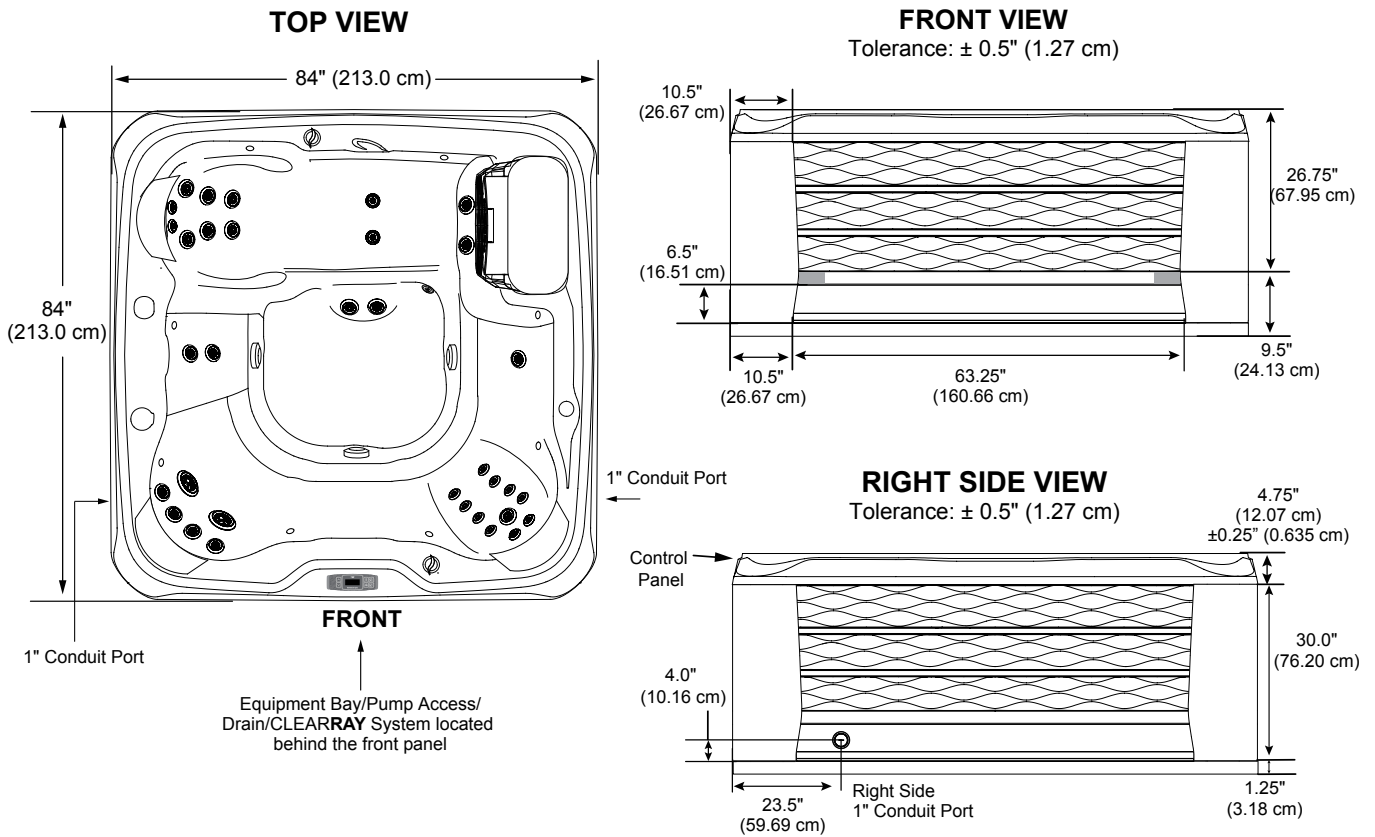


Dimensions/Specifications Subject To Change Without Notice



# Sundance Spas 680 Peyton

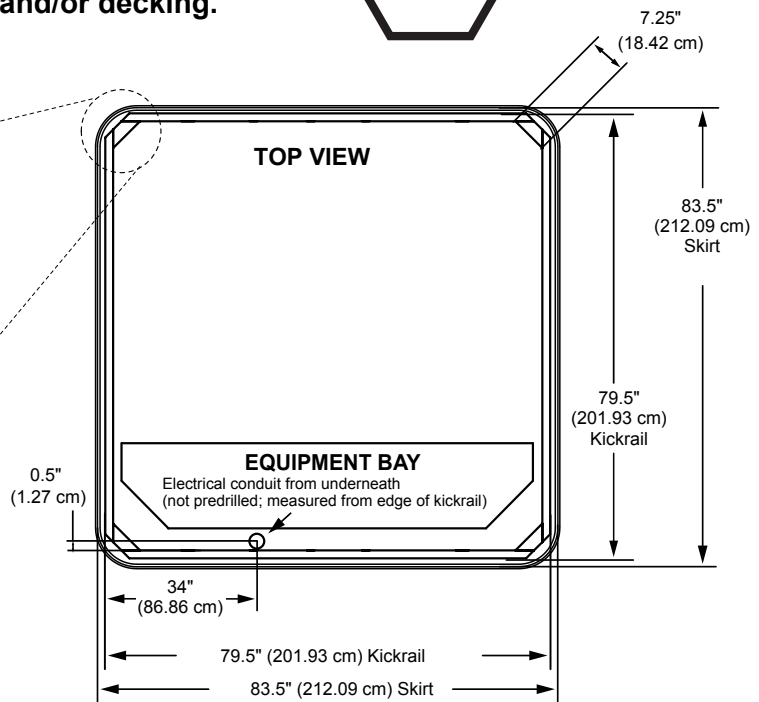
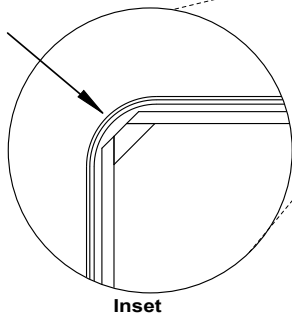
## Portable Dimensions



**IMPORTANT! Always measure each hot tub for exact dimensions BEFORE designing its foundational support and/or decking.**



4 x  $\approx R 10.0"$   
 ( $\approx R25.4$  cm) Skirt




Dimensions/specifications subject to change without notice. Tolerance:  $\pm 0.5"$  (1.27 cm)

Dimensions/Specifications Subject To Change Without Notice

# Sundance® Spas 680 Prado™

## Specifications

<b>Dimensions</b> .....	80" x 80" x 33" (203 cm x 203 cm x 84 cm)	
<b>Perimeter</b> .....	320" (812.8 cm)	
<b>Seating Capacity</b> .....	4-5 Adults	
<b>Dry Weight</b> .....	651 lbs (295 kg)	
<b>Filled Weight (Spa Volume)</b> .....	3,570 lbs (1,619 kg)	
<b>Filled Weight (Average Fill)</b> .....	2,736 lbs (1,241 kg)	
<b>Water Capacity (Spa Volume)</b> .....	350 US gallons (1,325 Liters)	
<b>Water Capacity (Average Fill)</b> .....	250 US gallons (946 Liters)	
<b>Electronic Controls</b> .....	Solid state electronic controls with LCD readout, programmable temperature, filtration, and heat cycles	
<b>Pump 1</b> .....	North America (60 Hz): 2-Speed, 2.5 HP brake, 1.5 HP continuous, 48 Frame <b>Export (50 Hz): 2-Speed, 2.0 HP continuous</b>	
<b>Total Hydrojets:</b> .....	<b>26</b>	
<b>Seat A Jets:</b> .....	3 - SL3, 1 - SL5R	
<b>Seat B Jets:</b> .....	2 - SLR, 1 - SL3, 8 - SL	
<b>Seat C Jet:</b> .....	1 - SL3R	
<b>Seat D Jets:</b> .....	6 - SL3	
<b>Seat E Jets:</b> .....	4 - SL3R	
<b>Air Controls/Massage Selectors:</b> .....	2/None	
<b>Filter:</b> .....	75 ft <sup>2</sup> MicroClean® Mini™ Filter Cartridge System	
<b>Water Treatment:</b> .....	Factory installed CLEARRAY® unit	
<b>Lighting:</b> .....	LED Lighting System (Interior Surround); 2 Standard Exterior Lights	
<b>Cabinet:</b> .....	Available in Slate, Graphite	
<b>Shell Colors:</b> .....	North America: Platinum, Celestite (Gypsum), Monaco, Midnight, Porcelain <b>Export (50 Hz): All North America colors</b>	
<b>Headrest:</b> .....	Four, 1-piece gray	
<b>Heater:</b> .....	North America (60 Hz): High Flow, 1 kW@120 VAC or Convertible to 4 kW@240 VAC; <b>Export (50 Hz): High Flow, 2.7 kW</b>	
<b>Electrical Requirements:</b> .....	North America Convertible Model (60 Hz): 120 VAC@15A with Supplied GFCI Cord or 240 VAC@30A or 40A (Hard Wired Only); <b>Export (50 Hz): 230-240 VAC@1x16A, 1x32A or 2 out of 3-phase (see manual); or Suitably Rated Circuit Breaker to Comply with Local Electrical Regulations. Certain Countries May Require 2 Power Inputs; Two GFCI/RCD Breakers are Required for This Configuration.</b>	
<b>Limited Warranty*:</b> .....	North America (60 Hz): 5 Years Shell, 3 Years Shell Surface, 3 Years Plumbing Component Leaks, 3 Years Equipment and Controls, 1 Year Cabinet, 1 Year Jets <b>Export (50 Hz): 5 Years Shell, 3 Years Shell Surface, 3 Years Plumbing Component Leaks, 3 Years Equipment and Controls, 1 Year Cabinet, 1 Year Jets</b>	
<b>Alternative Insulation (Standard):</b> ..	Yes (Insulation Panels)	
<b>Waterfall Feature:</b> .....	None	
<b>Audio System (Optional):</b> .....	N/A	
<b>Special Features (Optional):</b> .....	Factory Installed SmartTub® module	

\*(See Warranty Document for Specific Details)

Dimensions/Specifications Subject To Change Without Notice

# Sundance Spas 680 Prado

## Operation/Seat Depths



- (A)** Air control - Activates Seat A Jets (3 - SL3, 1 - SL5R) + Seat B Jets (1 - SLR, 1 - SL3, 8 - SL) + Seat C Jet (1 - SL3R)
- (B)** Air control - Activates Seat D Jets (6 - SL3) + Seat E Jets (4 - SL3R)

• Jets Pump 1: Powers All Jets when running

26 Total Jets (Stainless Steel Escutcheons Standard)



Spa Operation Subject To Change Without Notice

## SEAT DEPTHS

- A = 23.50" (59.69 cm)**
- B = 20.75" (52.71 cm)**
- C = 25.00" (63.50 cm)**
- D = 22.00" (55.88 cm)**
- E = 25.50" (64.77 cm)**
- F = 23.75" (60.33 cm)**
- G = 21.75" (55.25 cm)**
- H = 30.00" (76.20 cm)**

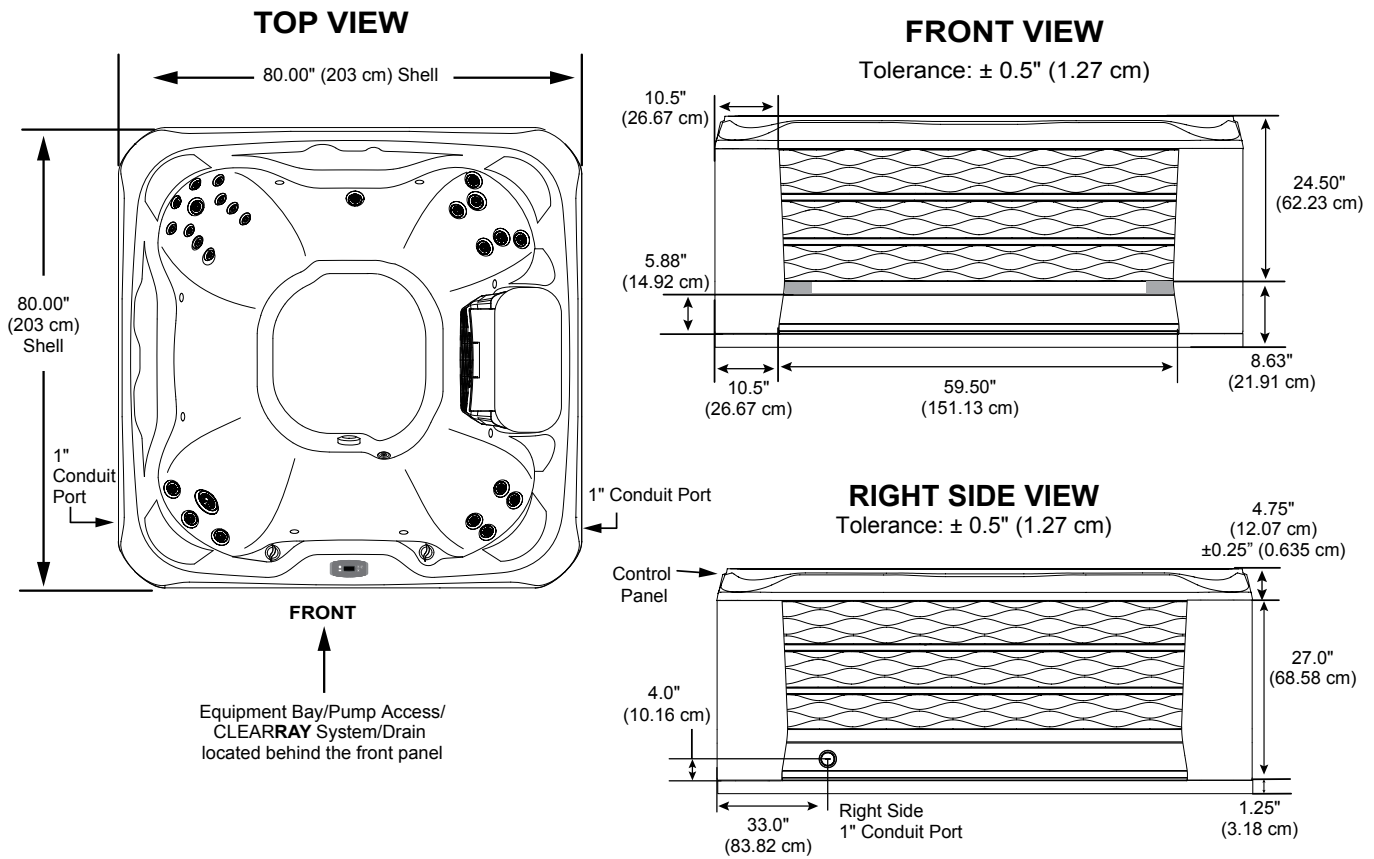
Listed dimensions represent distance from top of acrylic to lowest point in seat. Tolerance  $\pm 0.5"$  (1.27 cm).



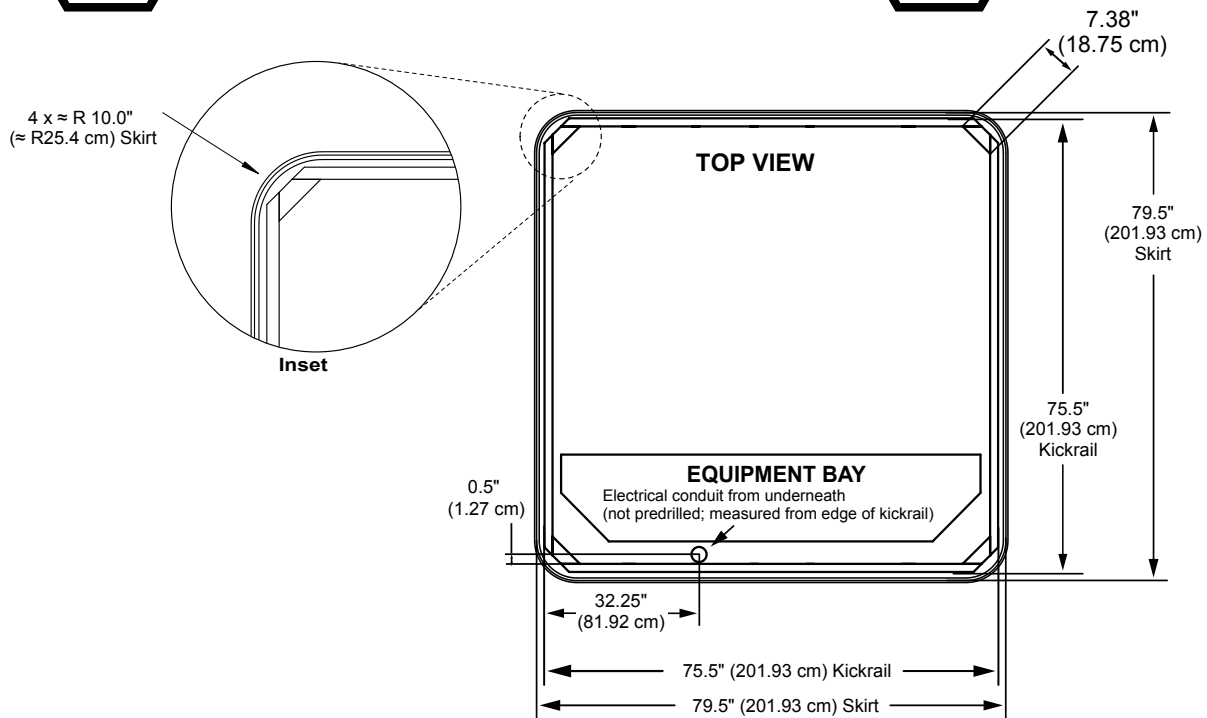
Dimensions/Specifications Subject To Change Without Notice

# Sundance Spas 680 Prado

## Portable Dimensions



**IMPORTANT! Always measure each hot tub for exact dimensions BEFORE designing its foundational support and/or decking.**



Dimensions/Specifications Subject To Change Without Notice

# Sundance® Spas 680 Alicia™

## Specifications

<b>Dimensions</b> .....	69" x 80" x 33" (175 cm x 203 cm x 84 cm)	
<b>Seating Capacity</b> .....	2-3 Adults	
<b>Dry Weight</b> .....	TBD lbs (TBD kg)	
<b>Filled Weight (Spa Volume)</b> .....	TBD lbs (TBD kg)	
<b>Filled Weight (Average Fill)</b> .....	TBD lbs (TBD kg)	
<b>Water Capacity (Spa Volume)</b> .....	TBD US gallons (TBD Liters)	
<b>Water Capacity (Average Fill)</b> .....	TBD US gallons (TBD Liters)	
<b>Electronic Controls</b> .....	Solid state electronic controls with LCD readout, programmable temperature, filtration, and heat cycles	
<b>Pump 1</b> .....	North America (60 Hz): 2-Speed, 2.5 HP brake, 1.5 HP continuous, 48 Frame <b>Export: (50 Hz): 2-Speed, 2.0 HP continuous</b>	
<b>Total Hydrojets:</b> .....	<b>21</b>	
<b>Seat A Jets:</b> .....	6 - SLR	
<b>Seat B Jets:</b> .....	1 - SLR, 8 - SL	
<b>Seat C Jets:</b> .....	4 - SL3R	
<b>Footwell (D) Jets:</b> .....	2 - SLR	
<b>Air Controls/Massage Selectors:</b> ..	1/None	
<b>Filter:</b> .....	75 ft <sup>2</sup> MicroClean® Mini™ Filter Cartridge System	
<b>Water Treatment:</b> .....	Factory installed CLEARRAY® unit	
<b>Lighting:</b> .....	LED Lighting System (Interior Surround); 2 Standard Exterior Lights	
<b>Cabinet:</b> .....	Available in Slate, Graphite	
<b>Shell Colors:</b> .....	Platinum, Celestite (Gypsum), Monaco, Midnight, Porcelain	
<b>Headrest:</b> .....	Three, 1-piece gray	
<b>Heater:</b> .....	North America (60 Hz): High Flow, 1 kW@120 VAC or Convertible to 4 kW@240 VAC; <b>Export: (50 Hz): High Flow, 2.7 kW</b>	
<b>Electrical Requirements:</b> .....	North America Convertible Model (60 Hz): 120 VAC@15A with Supplied GFCI Cord or 240 VAC@30A or 40A (Hard Wired Only); <b>Export (50 Hz): 230-240 VAC@1x16A, 1x32A or 2 out of 3-phase (see manual); or Suitably Rated Circuit Breaker to Comply with Local Electrical Regulations. Certain Countries May Require 2 Power Inputs; Two GFCI/ RCD Breakers are Required for This Configuration.</b>	
<b>Limited Warranty*:</b> .....	North America (60 Hz): 5 Years Shell, 3 Years Shell Surface, 3 Years Plumbing Component Leaks, 3 Years Equipment and Controls, 1 Year Cabinet, 1 Year Jets <b>Export (50 Hz): 5 Years Shell, 3 Years Shell Surface, 3 Years Plumbing Component Leaks, 3 Years Equipment and Controls, 1 Year Cabinet, 1 Year Jets</b>	
<b>Alternative Insulation (Standard):</b> ..	Yes (Insulation Panels)	
<b>Waterfall Feature:</b> .....	None	
<b>Audio System (Optional):</b> .....	N/A	
<b>Special Features (Optional):</b> .....	Factory Installed SmartTub® module	

\*(See Warranty Document for Specific Details)

Dimensions/Specifications Subject To Change Without Notice



# Sundance Spas 680 Alicia

## Operation/Seat Depths



**(A)** Air control - Activates All Jets

- Jets Pump 1: Powers All Jets when running

**21 Total Jets (Stainless Steel Escutcheons Standard)**



SL Jets (8)



SLR Jets (9)



SL3R Jets (4)

Spa Operation Subject To Change Without Notice

## SEAT DEPTHS

**A = 25.86" (65.72 cm)**

**B = 27.00" (68.58 cm)**

**C = 24.25" (61.60 cm)**

**D = 27.75" (70.49 cm)**

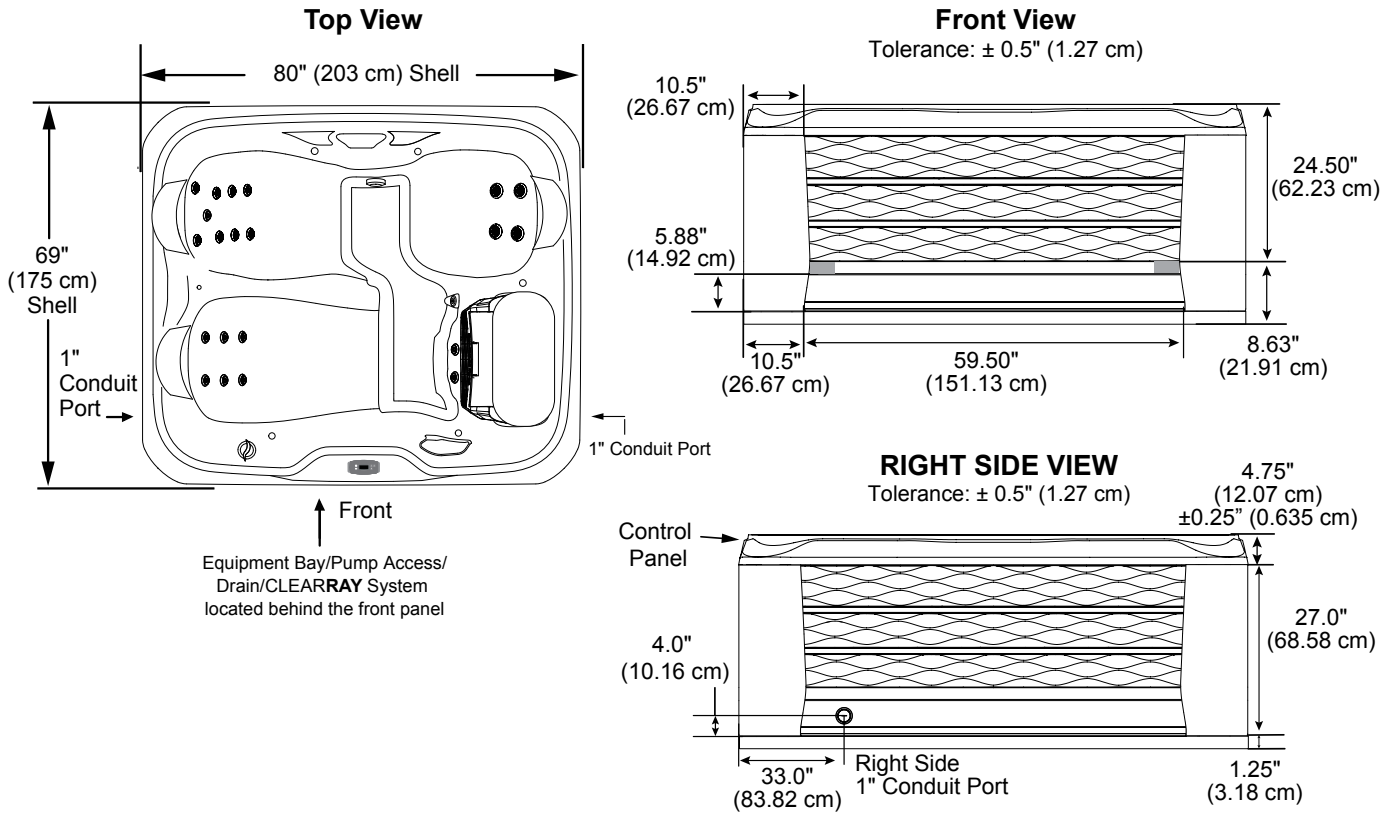
Listed dimensions represent distance from top of acrylic to lowest point in seat. Tolerance  $\pm 0.5"$  (1.27 cm).



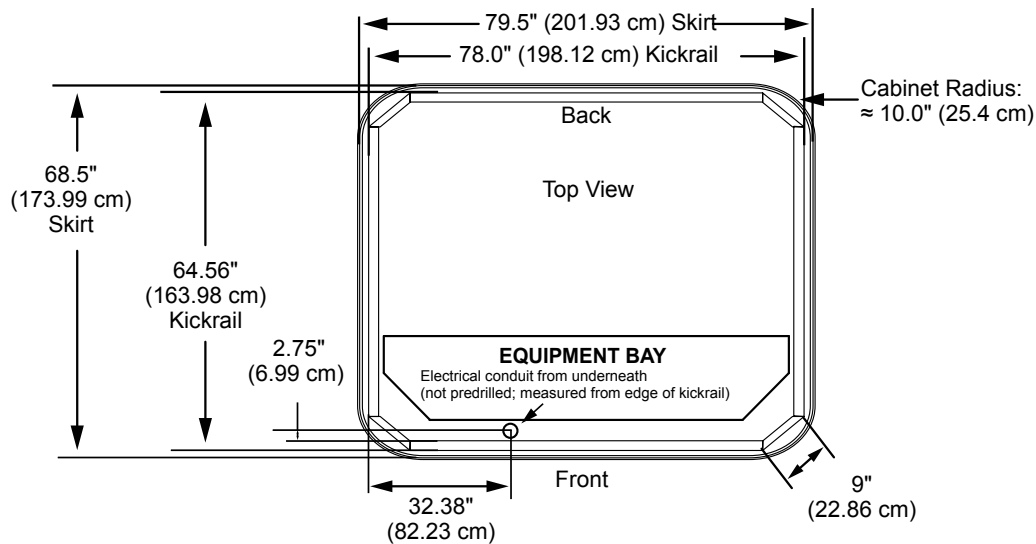
Dimensions/Specifications Subject To Change Without Notice

# Sundance Spas 680 Alicia

## Portable Dimensions



**IMPORTANT! Always measure each hot tub for exact dimensions BEFORE designing its foundational support and/or decking.**



**Dimensions/specifications subject to change without notice. Tolerance:  $\pm 0.5"$  (1.27 cm)**

Dimensions/Specifications Subject To Change Without Notice

# Sundance® Splash™ Berkeley™ 40 Jets

## Specifications

<b>Seating Capacity</b> .....	6 Adults
<b>Perimeter</b> .....	312" (792.5 cm)
<b>Dimensions</b> .....	78" x 78" x 36" (198 cm x 198 cm x 91 cm);
<b>Dry Weight</b> .....	416 lbs (189 kg)
<b>Filled Weight (Spa Volume)</b> .....	3,894 lbs (1,766 kg)
<b>Filled Weight (Average Fill)</b> .....	3,001 lbs (1,361 kg)
<b>Water Capacity (Spa Volume)</b> .....	417 US gallons (1,579 Liters)
<b>Water Capacity (Average Fill)</b> .....	310 US gallons (1,173 Liters)
<b>Electronic Controls</b> .....	Digital Touch Controller. Offers customizing of cleaning cycles and water temperature setting.
<b>Pump 1</b> .....	North America (60 Hz): 2-Speed, 2.0 HPR continuous <b>Export (50 Hz): N/A</b>
<b>Pump 2</b> .....	North America (60 Hz): 1-Speed, 2.5 HPR continuous <b>Export (50 Hz): N/A</b>
<b>Circulation Pump</b> .....	N/A
<b>Total Jets</b> .....	40
<b>Seat A Jets</b> .....	6 DirectionalMax1, 6 DirectionalMax2, 3 DirectMiniMax
<b>Seat B Jets</b> .....	1 DirectionalMax1, 1 DirectMiniMax
<b>Seat C Jets</b> .....	6 DirectionalMax2, 2 DirectMiniMax
<b>Seat D Jets</b> .....	2 DirectionalMax1, 2 DirectMiniMax
<b>Seat E Jets</b> .....	4 DirectionalMax1, 2 DirectionalMax1, 2 DirectMiniMax
<b>Seat F Jets</b> .....	1 DirectionalMax1
<b>Footwell (G)</b> .....	2 DirectionalMax1
<b>Massage Selectors</b> .....	N/A
<b>Air Controls</b> .....	3
<b>Water Management System</b> .....	One Easy Kleen 30 ft <sup>2</sup> filter cartridge; Optional factory installed Ozone <b>Export (50 Hz): N/A</b>
<b>LED Lighting</b> .....	Multicolor Waterfall light; Footwell light, Exterior corner lights (8 qty)
<b>Shell/Cabinet Colors</b> .....	Mystic Sparkle, Tuscan Sparkle, Night Sparkle, Glacier Sparkle
<b>Headrests</b> .....	3
<b>Waterfalls</b> .....	One with independent flow rate (on or off) adjustment; powered by pump 1
<b>Heater</b> .....	Hi Flow 4kW <b>Export (50 Hz): N/A</b>
<b>Electrical Requirements:</b> .....	North America (60 Hz): 240 VAC@50A <b>Export (50 Hz): N/A</b>
<b>Warranty*</b> .....	North America (60 Hz): 5 Years Shell, 5 Years Shell Surface, 2 Years Plumbing Component Leaks, 2 Years Equipment and Controls, 5 Years Cabinet, 2 Years Jets, 1 Year Lights; <b>Export (50 Hz): N/A</b>
<b>Special Features</b> .....	Optional Suite Package Add-On

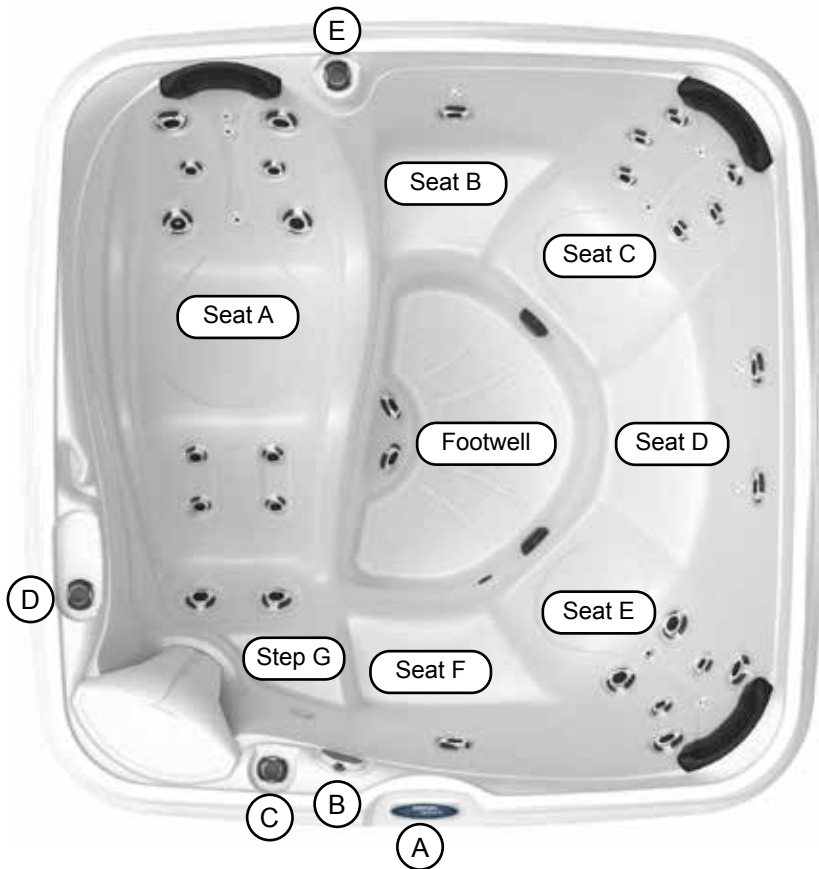


\*(See Warranty Document for Specific Details)

Dimensions/Specifications Subject To Change Without Notice

# Sundance Splash Berkeley 40 Jets

## Operation/Seat Depths



- (A) Topside Control - Activate Jet Pumps, Light and Control Water Temperature
  - (B) Water Feature Control - Controls Water Feature Output.
  - (C) Air Control - Activates Seat D Jets (2 DirectionalMax1 Jets, 2 DirectMiniMax Jets), Seat E Jets (4 DirectionalMax1 Jets, 2 DirectionalMax2 Jets, 2 DirectMiniMax Jets), Seat F Jets (1 DirectionalMax1 Jets)
  - (D) Air Control - Activates Seat A Jets (6 DirectionalMax1 Jets, 6 DirectionalMax2 Jets, 3 DirectMiniMax Jets)
  - (E) Air Control - Activates Seat B Jets (1 DirectionalMax1 Jet, 1 DirectMiniMax Jet), Seat C Jets (6 DirectionalMax2 Jets, 2 DirectMiniMax Jets), Footwell Jets (2 DirectionalMax1 Jets)
- Jet Pump 1: Seats B, C, D, E, F and footwell jets
  - Jet Pump 2: Seat A

### 40 Total Jets

DirectionalMax1  
Jets (16)

DirectionalMax2  
Jets (14)

DirectMiniMax  
Jets (10)



Spa Operation Subject To Change Without Notice

## SEAT DEPTHS

- A = 25.75" (65.40 cm)
- B = 24.50" (62.23 cm)
- C = 28.00" (71.12 cm)
- D = 24.75" (62.86 cm)
- E = 26.50" (67.30 cm)
- F = 23.25" (59.06 cm)
- G = 19.00" (48.26 cm)
- H = 34.50" (87.63 cm)

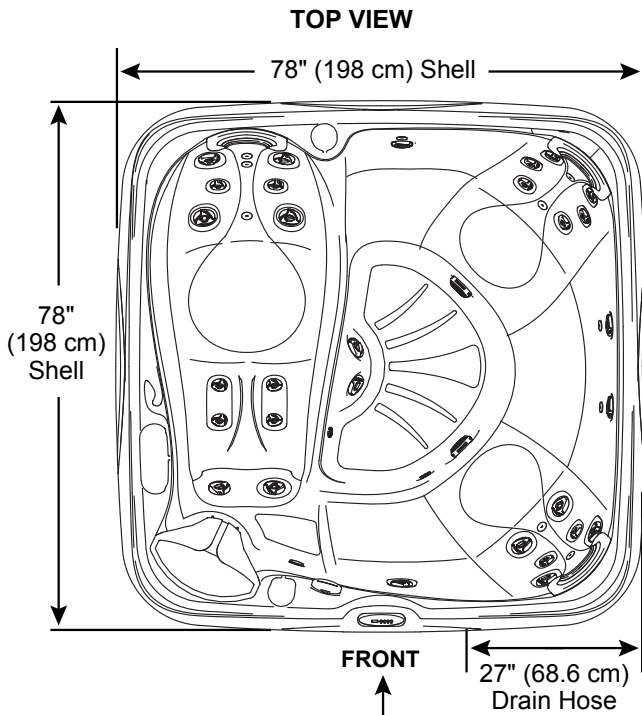
Listed dimensions represent distance from top of spa to lowest point in seat.  
Tolerance: ± 0.5" (1.27 cm)



Dimensions/Specifications Subject To Change Without Notice

# Sundance Splash Berkeley 40 Jets

## Portable Dimensions



Behind the cabinet  
Equipment Bay/Pump Access

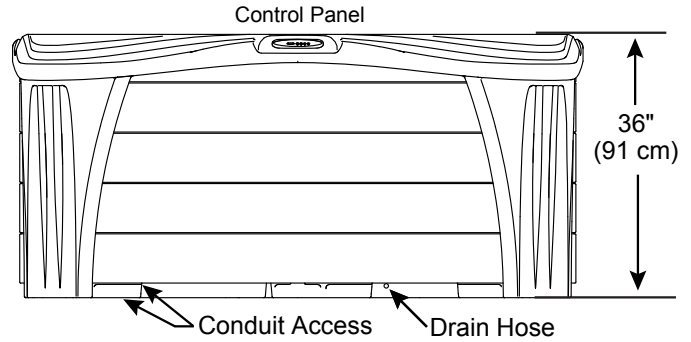


**IMPORTANT!** Always measure each hot tub for exact dimensions **BEFORE** designing its foundational support and/or decking.



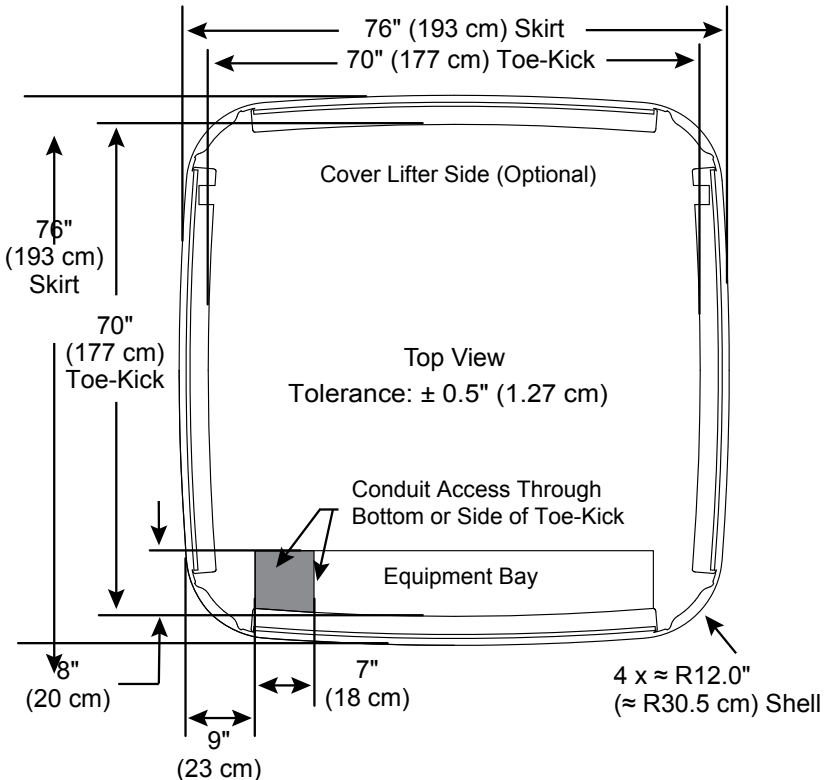
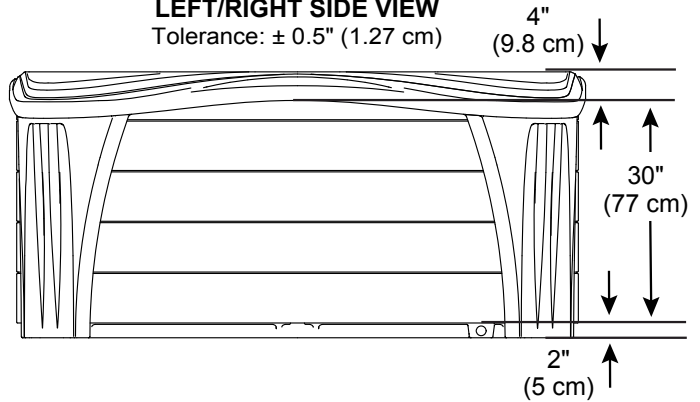
**FRONT VIEW**

Tolerance:  $\pm 0.5"$  (1.27 cm)



**LEFT/RIGHT SIDE VIEW**

Tolerance:  $\pm 0.5"$  (1.27 cm)



Dimensions/specifications subject to change without notice. Tolerance:  $\pm 0.5"$  (1.27 cm)

Dimensions/Specifications Subject To Change Without Notice

# Sundance® Splash™ Berkeley™ 30 Jets

## Specifications

<b>Seating Capacity</b> .....	6 Adults
<b>Perimeter</b> .....	312" (792.5 cm)
<b>Dimensions</b> .....	78" x 78" x 36" (198 cm x 198 cm x 91 cm);
<b>Dry Weight</b> .....	386 lbs (175 kg)
<b>Filled Weight (Spa Volume)</b> .....	3,864 lbs (1,753 kg)
<b>Filled Weight (Average Fill)</b> .....	2,971 lbs (1,348 kg)
<b>Water Capacity (Spa Volume)</b> .....	417 US gallons (1,579 Liters)
<b>Water Capacity (Average Fill)</b> .....	310 US gallons (1,173 Liters)
<b>Electronic Controls</b> .....	Digital Touch Controller. Offers customizing of cleaning cycles and water temperature setting.
<b>Pump 1</b> .....	North America (60 Hz): 2-Speed, 2.0 HPR continuous <b>Export (50 Hz): 2 kW, 2-Speed</b>
<b>Pump 2</b> .....	N/A <b>Export (50 Hz): N/A</b>
<b>Circulation Pump</b> .....	N/A
<b>Total Jets</b> .....	30
<b>Seat A Jets</b> .....	6 DirectionalMax1, 6 DirectionalMax2
<b>Seat B Jets</b> .....	1 DirectionalMax1
<b>Seat C Jets</b> .....	6 DirectionalMax2
<b>Seat D Jets</b> .....	2 DirectionalMax1
<b>Seat E Jets</b> .....	4 DirectionalMax1, 2 DirectionalMax2
<b>Seat F Jets</b> .....	1 DirectionalMax1
<b>Footwell (G)</b> .....	2 DirectionalMax1
<b>Massage Selectors</b> .....	N/A
<b>Air Controls</b> .....	2
<b>Water Management System</b> .....	One Easy Kleen 30 ft <sup>2</sup> filter cartridge; Optional factory installed Ozone <b>Export (50 Hz): Optional factory installed Ozone</b>
<b>LED Lighting</b> .....	Multicolor Waterfall light; Footwell light, Exterior corner lights (8 qty)
<b>Shell/Cabinet Colors</b> .....	Mystic Sparkle, Tuscan Sparkle, Night Sparkle, Glacier Sparkle
<b>Headrests</b> .....	3
<b>Waterfalls</b> .....	One with independent flow rate (on or off) adjustment; powered by pump 1
<b>Heater:</b> .....	Hi Flow 1.0kW/4kW <b>Export (50 Hz): Hi Flow 3.0kW</b>
<b>Electrical Requirements:</b> .....	North America (60 Hz): Convertible 120 VAC@15A <b>Export (50 Hz): 230-240V@1x16A, 1X32A</b>
<b>Warranty*</b> .....	North America (60 Hz): 5 Years Shell, 5 Years Shell Surface, 2 Years Plumbing Component Leaks, 2 Years Equipment and Controls, 5 Years Cabinet, 2 Years Jets, 1 Year Lights; <b>Export (50 Hz): 5 Years Shell, 5 Years Shell Surface, 2 Years Plumbing Component Leaks, 2 Years Equipment and Controls, 2 Years Cabinet, 2 Years Jets, 2 Years Lights;</b>
<b>Special Features</b> .....	Optional Suite Package Add-On



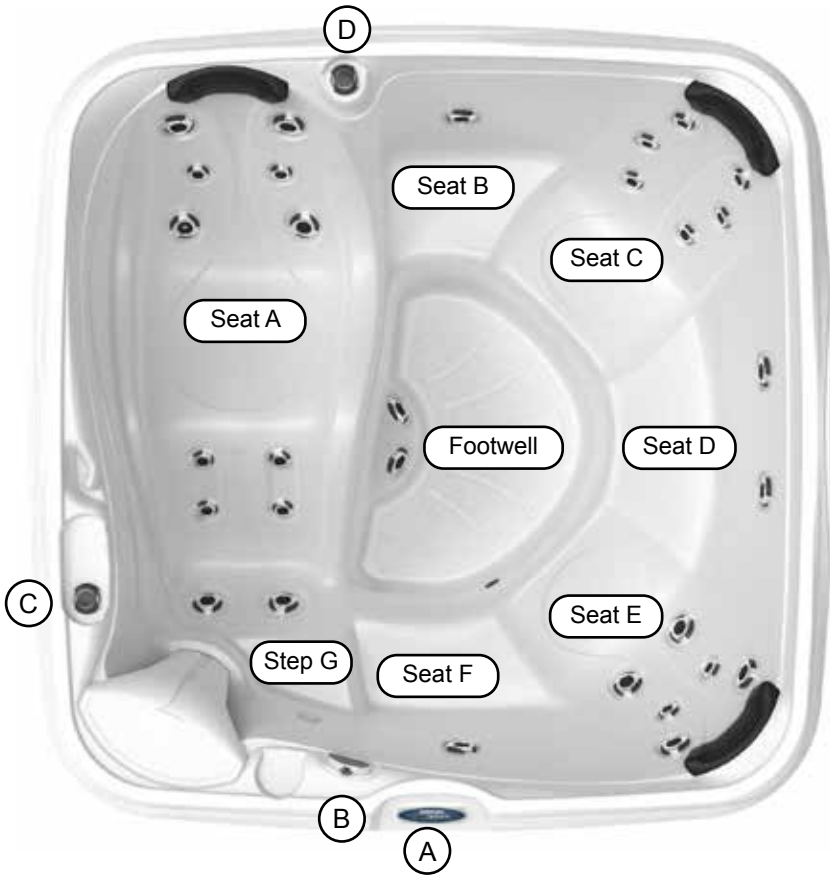
\*(See Warranty Document for Specific Details)

Dimensions/Specifications Subject To Change Without Notice



# Sundance Splash Berkeley 30 Jets

## Operation/Seat Depths



- (A) Topside Control - Activate Jet Pump, Light and Control Water Temperature
  - (B) Water Feature Control - Controls Water Feature Output.
  - (C) Air Control - Activates Seat A Jets (6 DirectionalMax1 Jets, 6 DirectionalMax2 Jets)
  - (D) Air Control - Activates Seat B Jets (1 DirectionalMax1 Jet), Seat C Jets (6 DirectionalMax2 Jets), Seat D Jets (2 DirectionalMax1 Jets), Seat E Jets (4 DirectionalMax1 Jets, 2 DirectionalMax2 Jets), Seat F Jets (1 DirectionalMax1 Jet), Footwell Jets (2 DirectionalMax1 Jets)
- Jet Pump 1: All seats and footwell jets

### 30 Total Jets

DirectionalMax1  
Jets (16)



DirectionalMax2  
Jets (14)



Spa Operation Subject To Change Without Notice

## SEAT DEPTHS

- A = 25.75" (65.40 cm)
- B = 24.50" (62.23 cm)
- C = 28.00" (71.12 cm)
- D = 24.75" (62.86 cm)
- E = 26.50" (67.30 cm)
- F = 23.25" (59.06 cm)
- G = 19.00" (48.26 cm)
- H = 34.50" (87.63 cm)

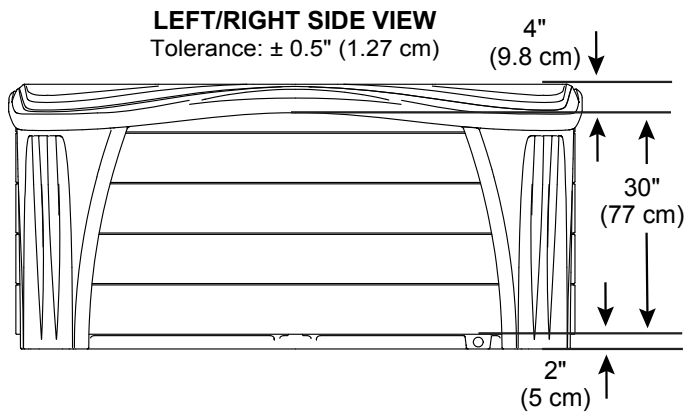
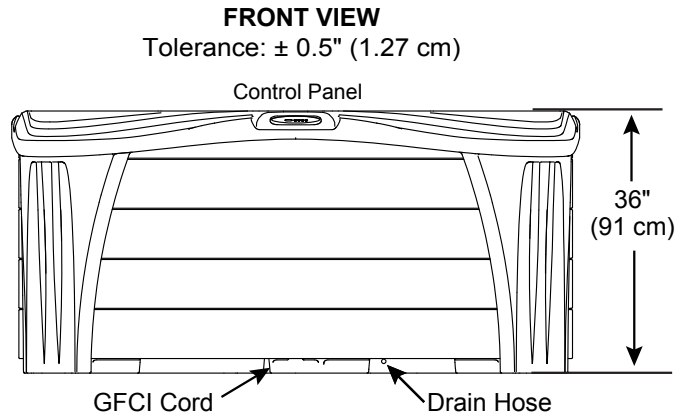
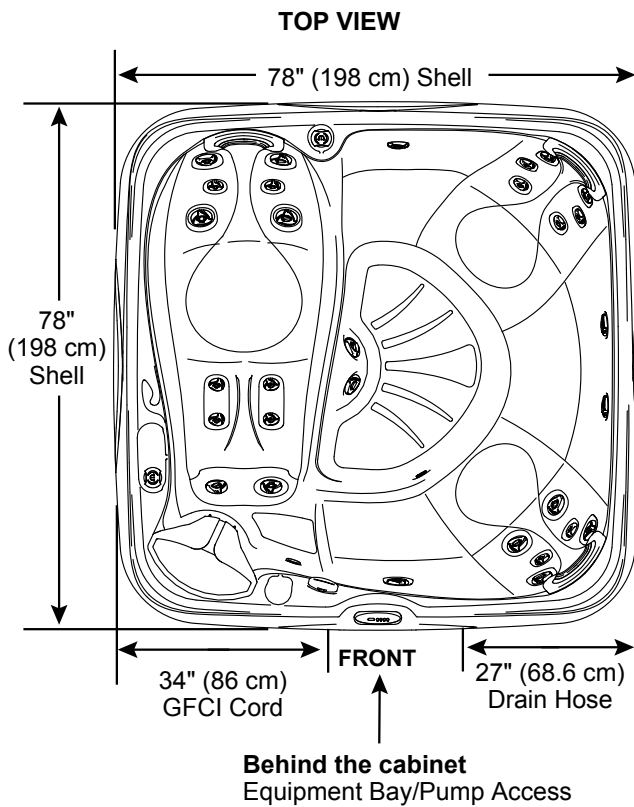
Listed dimensions represent distance from top of spa to lowest point in seat.  
Tolerance:  $\pm 0.5"$  (1.27 cm)



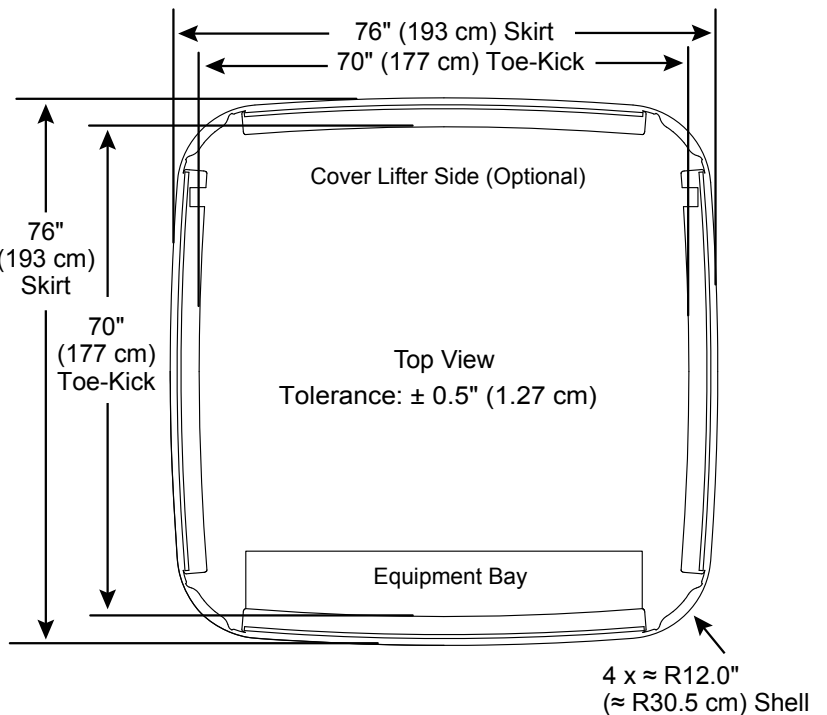
Dimensions/Specifications Subject To Change Without Notice

# Sundance Splash Berkeley 30 Jets

## Portable Dimensions



**IMPORTANT! Always measure each hot tub for exact dimensions BEFORE designing its foundational support and/or decking.**




Dimensions/specifications subject to change without notice. Tolerance:  $\pm 0.5"$  (1.27 cm)

Dimensions/Specifications Subject To Change Without Notice

# Sundance® Splash™ Brook™ 40 Jets

## Specifications

<b>Seating Capacity</b> .....	6 Adults	
<b>Perimeter</b> .....	312" (792.5 cm)	
<b>Dimensions</b> .....	78" x 78" x 36" (198 cm x 198 cm x 91 cm);	
<b>Dry Weight</b> .....	472 lbs (214 kg)	
<b>Filled Weight (Spa Volume)</b> .....	4,175 lbs (1,894 kg)	
<b>Filled Weight (Average Fill)</b> .....	3,208 lbs (1,455 kg)	
<b>Water Capacity (Spa Volume)</b> .....	444 US gallons (1,681 Liters)	
<b>Water Capacity (Average Fill)</b> .....	328 US gallons (1,242 Liters)	
<b>Electronic Controls</b> .....	Digital Touch Controller. Offers customizing of cleaning cycles and water temperature setting.	
<b>Pump 1</b> .....	North America (60 Hz): 2-Speed, 2.0 HP continuous <b>Export (50 Hz): N/A</b>	
<b>Pump 2</b> .....	North America (60 Hz): 1-Speed, 2.5 HP continuous <b>Export (50 Hz): N/A</b>	
<b>Circulation Pump</b> .....	N/A	
<b>Total Jets</b> .....	40	
<b>Seat A Jets</b> .....	4 DirectionalMax1 Jets, 2 DirectionalMax2 Jets, 2 DirectMiniMax Jets	
<b>Seat B Jets</b> .....	2 DirectionalMax1 Jets	
<b>Seat C Jets</b> .....	8 DirectionalMax2 Jets, 4 DirectMiniMax Jets	
<b>Seat D Jets</b> .....	6 DirectionalMax2 Jets, 2 DirectMiniMax Jets	
<b>Seat E Jets</b> .....	2 DirectionalMax1 Jets	
<b>Seat F Jets</b> .....	4 DirectionalMax1 Jets, 2 DirectionalMax2 Jets, 2 DirectMiniMax Jets	
<b>Massage Selectors</b> .....	N/A	
<b>Air Controls</b> .....	3	
<b>Water Management System</b> .....	One Easy Klean 30 ft <sup>2</sup> filter cartridge; Optional factory installed Ozone <b>Export (50 Hz): N/A</b>	
<b>LED Lighting</b> .....	Multicolor waterfall light; Exterior corner light (white color only)	
<b>Shell/Cabinet Colors</b> .....	Mystic Sparkle, Tuscan Sparkle, Night Sparkle, Glacier Sparkle	
<b>Headrests</b> .....	4	
<b>Waterfalls</b> .....	One with independent flow rate (on or off) adjustment; powered by pump 1	
<b>Heater:</b> .....	Hi Flow 1.0kW/4kW <b>Export (50 Hz): N/A</b>	
<b>Electrical Requirements:</b> .....	North America (60 Hz): 240 VAC@30A or 40A <b>Export (50 Hz): N/A</b>	
<b>Warranty*</b> .....	North America (60 Hz): 5 Years Shell, 5 Years Shell Surface, 1 Year Plumbing Component Leaks, 1 Year Equipment and Controls, 1 Year Cabinet, 1 Year Jets, 1 Year Lights;	
<b>Special Features</b> .....	N/A	

\*(See Warranty Document for Specific Details)

Dimensions/Specifications Subject To Change Without Notice

# Sundance Splash Brook 40 Jets

## Operation/Seat Depths



- (A) Topsede Control - Activate Jet Pumps, Light and Control Water Temperature
  - (B) Water Feature Control - Controls Water Feature Output.
  - (C) Air Control - Activates Seat B Jets (2 DirectionalMax1 Jets), Seat C Jets (8 DirectionalMax2 Jets, 4 DirectMiniMax Jets)
  - (D) Air Control - Activates Seat D Jets (6 DirectionalMax2 Jets, 2 DirectMiniMax Jets), Seat E Jets (2 DirectionalMax1 Jets)
  - (E) Air Control - Activates Seat A Jets (4 DirectionalMax1 Jets, 2 DirectionalMax2 Jets, 2 DirectMiniMax Jets), Seat F Jets (4 DirectionalMax1 Jets, 2 DirectionalMax2 Jets, 2 DirectMiniMax Jets)
- Jet Pump 1: Seats A, D, E and F
  - Jet Pump 2: Seats B and C

### 40 Total Jets

DirectionalMax1  
Jets (12)

DirectionalMax2  
Jets (18)

DirectMiniMax  
Jets (10)

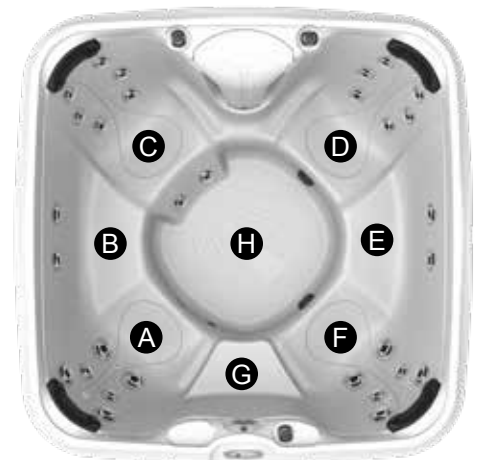


Spa Operation Subject To Change Without Notice

## SEAT DEPTHS

- A = 26.50" (67.30 cm)
- B = 24.75" (62.86 cm)
- C = 28.00" (71.12 cm)
- D = 28.00" (71.12 cm)
- E = 24.75" (62.86 cm)
- F = 26.50" (67.30 cm)
- G = 20.00" (50.80 cm)
- H = 34.50" (87.63 cm)

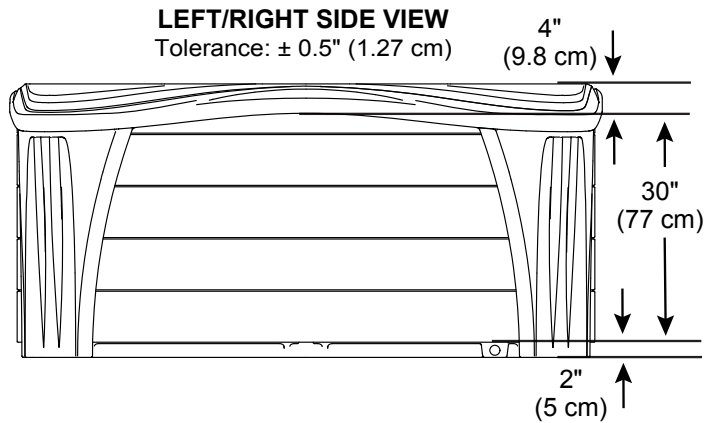
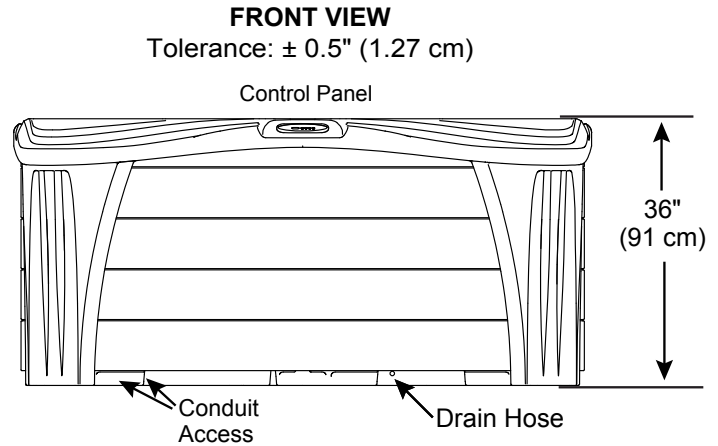
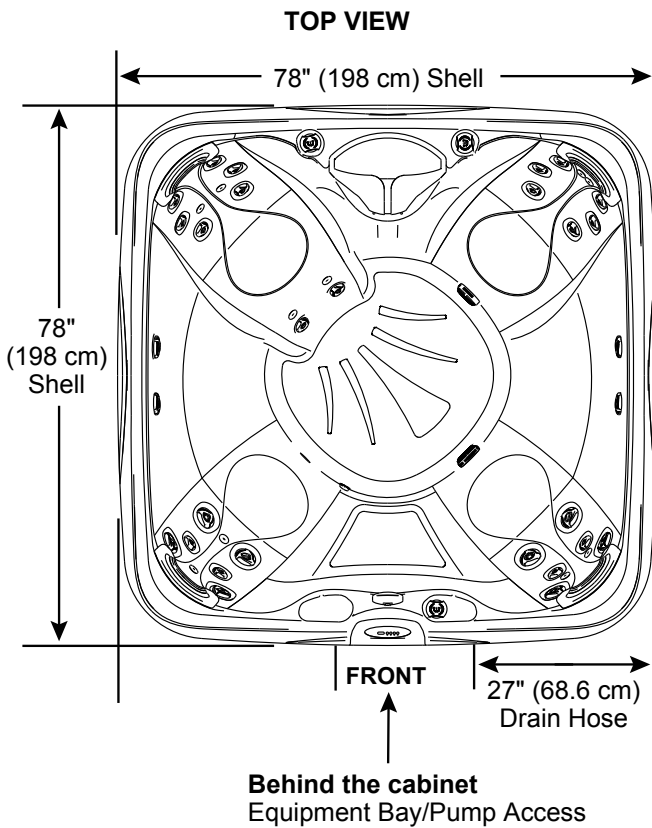
Listed dimensions represent distance from top of spa to lowest point in seat.  
Tolerance: ± 0.5" (1.27 cm)



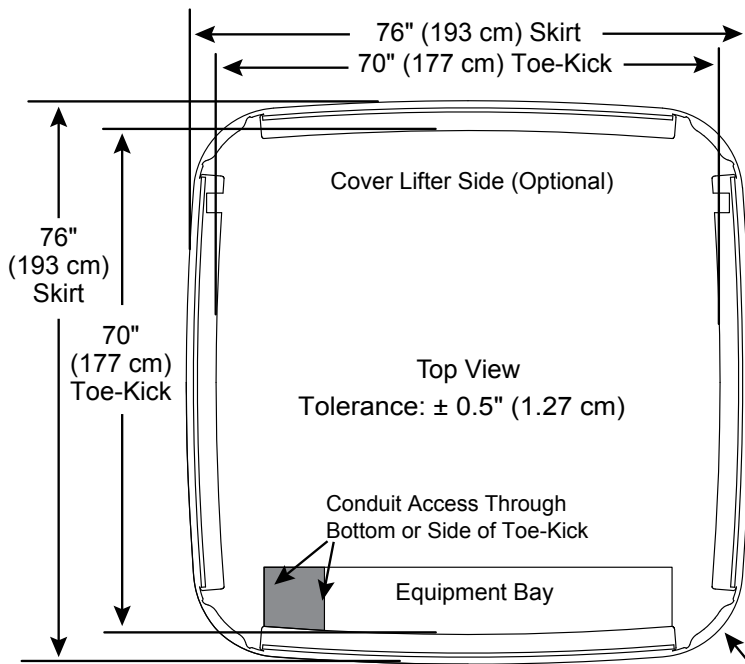
Dimensions/Specifications Subject To Change Without Notice

# Sundance Splash Brook 40 Jets

## Portable Dimensions



**IMPORTANT! Always measure each hot tub for exact dimensions BEFORE designing its foundational support and/or decking.**



4 x  $\approx R12.0"$   
( $\approx R30.5$  cm) Shell

Dimensions/specifications subject to change without notice. Tolerance:  $\pm 0.5"$  (1.27 cm)

Dimensions/Specifications Subject To Change Without Notice

# Sundance® Splash™ Brook™ 30 Jets

## Specifications

<b>Seating Capacity</b> .....	7 Adults
<b>Perimeter</b> .....	312" (792.5 cm)
<b>Dimensions</b> .....	78" x 78" x 36" (198 cm x 198 cm x 91 cm);
<b>Dry Weight</b> .....	414 lbs (187 kg)
<b>Filled Weight (Spa Volume)</b> .....	4,117 lbs (1,867 kg)
<b>Filled Weight (Average Fill)</b> .....	3,150 lbs (1,429 kg)
<b>Water Capacity (Spa Volume)</b> .....	444 US gallons (1,681 Liters)
<b>Water Capacity (Average Fill)</b> .....	328 US gallons (1,242 Liters)
<b>Electronic Controls</b> .....	Digital Touch Controller. Offers customizing of cleaning cycles and water temperature setting.
<b>Pump 1</b> .....	North America (60 Hz): 2-Speed, 2.0 HP continuous <b>Export (50 Hz): 2 kW, 2-Speed</b>
<b>Pump 2</b> .....	N/A <b>Export (50 Hz): N/A</b>
<b>Circulation Pump</b> .....	N/A
<b>Total Jets</b> .....	30
<b>Seat A Jets</b> .....	4 DirectionalMax1 Jets, 2 DirectionalMax2 Jets
<b>Seat B Jets</b> .....	2 DirectionalMax1 Jets
<b>Seat C Jets</b> .....	8 DirectionalMax2 Jets
<b>Seat D Jets</b> .....	6 DirectionalMax2 Jets
<b>Seat E Jets</b> .....	2 DirectionalMax1 Jets
<b>Seat F Jets</b> .....	4 DirectionalMax1 Jets, 2 DirectionalMax2 Jets
<b>Massage Selectors</b> .....	N/A
<b>Air Controls</b> .....	2
<b>Water Management System</b> .....	One Easy Klean 30 ft <sup>2</sup> filter cartridge; Optional factory installed Ozone <b>Export (50 Hz): Optional factory installed Ozone</b>
<b>LED Lighting</b> .....	Multicolor waterfall light; Exterior corner light (white color only)
<b>Shell/Cabinet Colors</b> .....	Mystic Sparkle, Tuscan Sparkle, Night Sparkle, Glacier Sparkle
<b>Headrests</b> .....	4
<b>Waterfalls</b> .....	One with independent flow rate (on or off) adjustment; powered by pump 1
<b>Heater:</b> .....	Hi Flow 1.0kW/4kW <b>Export (50 Hz): Hi Flow 3.0kW</b>
<b>Electrical Requirements:</b> .....	North America (60 Hz): Convertible 120 VAC@15A <b>Export (50 Hz): 230-240V@1x16A, 1X32A</b>
<b>Warranty*</b> .....	North America (60 Hz): 5 Years Shell, 5 Years Shell Surface, 2 Years Plumbing Component Leaks, 2 Years Equipment and Controls, 5 Years Cabinet, 2 Years Jets, 1 Year Lights; <b>Export (50 Hz): 5 Years Shell, 5 Years Shell Surface, 2 Years Plumbing Component Leaks, 2 Years Equipment and Controls, 2 Years Cabinet, 2 Years Jets, 2 Years Lights;</b>
<b>Special Features</b> .....	N/A



\*(See Warranty Document for Specific Details)

Dimensions/Specifications Subject To Change Without Notice



# Sundance Splash Brook 30 Jets

## Operation/Seat Depths



- (A) Topside Control - Activate Jet Pump, Light and Control Water Temperature
  - (B) Water Feature Control - Controls Water Feature Output.
  - (C) Air Control - Activates Seat A Jets (4 DirectionalMax1 Jets, 2 DirectionalMax2 Jets), Seat B Jets (2 DirectionalMax1 Jets), Seat C Jets (8 DirectionalMax2 Jets)
  - (D) Air Control - Activates Seat D Jets (6 DirectionalMax2 Jets), Seat E Jets (2 DirectionalMax1 Jets), Seat F Jets (4 DirectionalMax1 Jets, 2 DirectionalMax2 Jets)
- Jet Pump 1: All seats and footwell jets

### 30 Total Jets

DirectionalMax1  
Jets (12)

DirectionalMax2  
Jets (18)



Spa Operation Subject To Change Without Notice

## SEAT DEPTHS

- A = 26.50" (67.30 cm)
- B = 24.75" (62.86 cm)
- C = 28.00" (71.12 cm)
- D = 28.00" (71.12 cm)
- E = 24.75" (62.86 cm)
- F = 26.50" (67.30 cm)
- G = 20.00" (50.80 cm)
- H = 34.50" (87.63 cm)

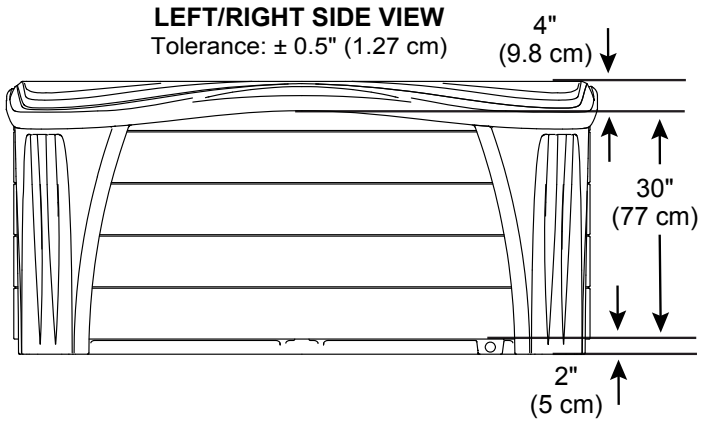
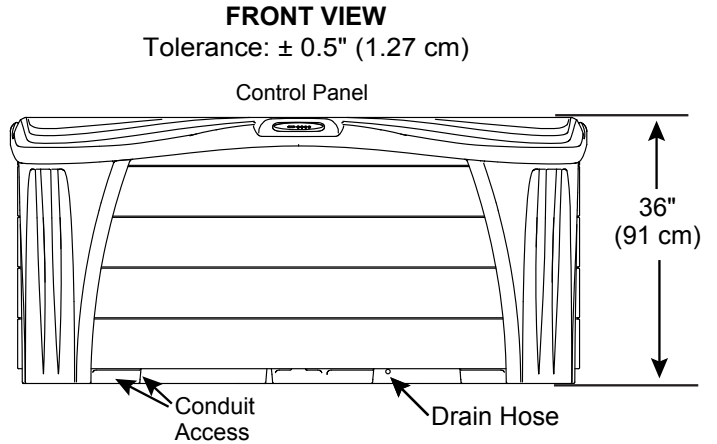
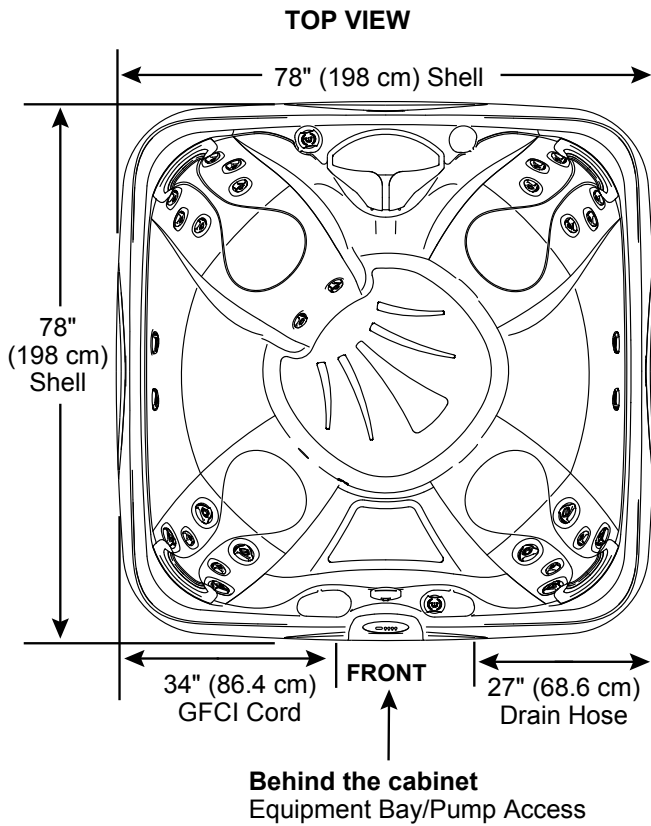
Listed dimensions represent distance from top of spa to lowest point in seat.  
Tolerance: ± 0.5" (1.27 cm)



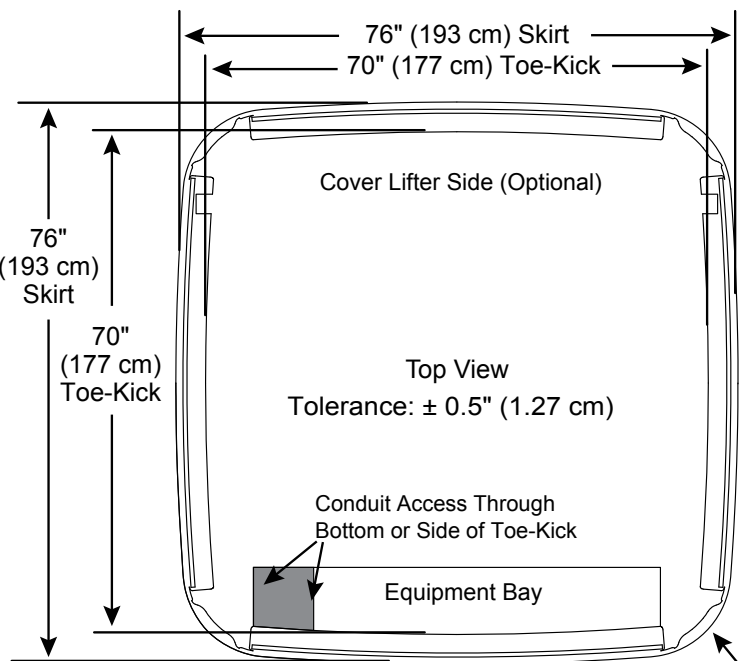
Dimensions/Specifications Subject To Change Without Notice

# Sundance Splash Brook 30 Jets

## Portable Dimensions



**IMPORTANT! Always measure each hot tub for exact dimensions BEFORE designing its foundational support and/or decking.**




Dimensions/specifications subject to change without notice. Tolerance:  $\pm 0.5"$  (1.27 cm)

4 x  $\approx R12.0"$   
( $\approx R30.5$  cm) Shell

# Sundance® Splash™ Paisley™

## Specifications

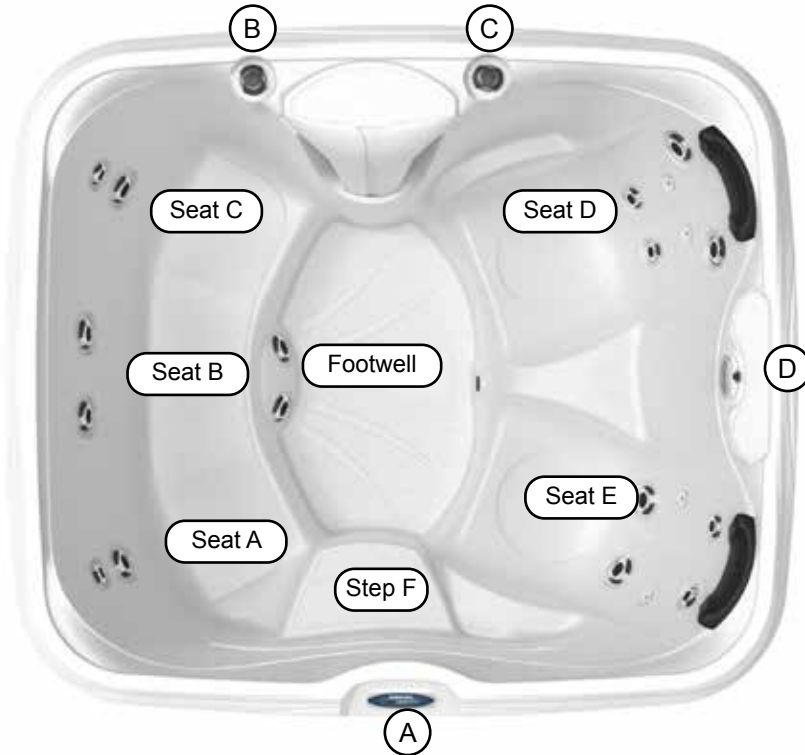
<b>Seating Capacity</b> .....	5 Adults	
<b>Perimeter</b> .....	292" (741.7 cm)	
<b>Dimensions</b> .....	78" x 68" x 32" (198 cm x 173 cm x 81 cm);	
<b>Dry Weight</b> .....	285 lbs (129 kg)	
<b>Filled Weight (Spa Volume)</b> .....	3,120 lbs (1,415 kg)	
<b>Filled Weight (Average Fill)</b> .....	2,404 lbs (1,090 kg)	
<b>Water Capacity (Spa Volume)</b> .....	340 US gallons (1,287 Liters)	
<b>Water Capacity (Average Fill)</b> .....	254 US gallons (961 Liters)	
<b>Electronic Controls</b> .....	Digital Touch Controller. Offers customizing of cleaning cycles and water temperature setting.	
<b>Pump 1</b> .....	North America (60 Hz): 2-Speed, 2.0 HPR continuous <b>Export (50 Hz): 2-Speed, 1.5 HP</b>	
<b>Pump 2</b> .....	N/A <b>Export (50 Hz): N/A</b>	
<b>Circulation Pump</b> .....	N/A	
<b>Total Jets</b> .....	20	
<b>Seat A Jets</b> .....	1 DirectionalMax1, 1 DirectionalMax2	
<b>Seat B Jets</b> .....	2 DirectionalMax1	
<b>Seat C Jets</b> .....	1 DirectionalMax2, 1 DirectionalMax1	
<b>Seat D Jets</b> .....	2 DirectionalMax1, 2 DirectionalMax2, 2 DirectMiniMax	
<b>Seat E Jets</b> .....	2 DirectionalMax1, 2 DirectionalMax2, 2 DirectMiniMax	
<b>Footwell (F) Jets</b> .....	2 DirectionalMax1	
<b>Massage Selectors</b> .....	N/A	
<b>Air Controls</b> .....	2	
<b>Water Management System</b> .....	One Easy Kleen 30 ft <sup>2</sup> filter cartridge; Optional factory installed Ozone <b>Export (50 Hz): Optional factory installed Ozone</b>	
<b>LED Lighting</b> .....	Multicolor Waterfall light; Footwell light, Exterior corner lights (8 qty)	
<b>Shell/Cabinet Colors</b> .....	Mystic Sparkle, Tuscan Sparkle, Night Sparkle, Glacier Sparkle	
<b>Headrests</b> .....	2	
<b>Waterfalls</b> .....	One with independent flow rate (on or off) adjustment; powered by pump 1	
<b>Heater:</b> .....	Hi Flow 1.0kW/4kW <b>Export (50 Hz): Hi Flow 3.0kW</b>	
<b>Electrical Requirements:</b> .....	North America (60 Hz): Convertible 120 VAC@15A or 240 VAC@30A, 40A <b>Export (50 Hz): 230-240V@1x16A, 1X32A</b>	
<b>Warranty*</b> .....	North America (60 Hz): 5 Years Shell, 5 Years Shell Surface, 2 Years Plumbing Component Leaks, 2 Years Equipment and Controls, 5 Years Cabinet, 2 Years Jets, 1 Year Lights; <b>Export (50 Hz): 5 Years Shell, 5 Years Shell Surface, 2 Years Plumbing Component Leaks, 2 Years Equipment and Controls, 2 Years Cabinet, 2 Years Jets, 2 Years Lights;</b>	
<b>Special Features</b> .....	Optional Suite Package Add-On	

\*(See Warranty Document for Specific Details)

Dimensions/Specifications Subject To Change Without Notice

# Sundance Splash Paisley

## Operation/Seat Depths



- (A) Topside Control - Activate Jets Pump, Light and Control Water Temperature
  - (B) Air Control - Activates Seat A Jets (1 DirectionalMax1 Jet, 1 DirectionalMax2 Jet), Seat B Jets (2 DirectionalMax1 Jets), Seat C Jets (1 DirectionalMax1 Jet, 1 DirectionalMax2 Jet), Footwell Jets (2 DirectionalMax2 Jets)
  - (C) Air Control - Activates Seat D Jets (2 DirectionalMax1 Jets, 2 DirectionalMax2 Jets, 2 DirectMiniMax Jets), Seat E Jets (2 DirectionalMax1 Jets, 2 DirectionalMax2 Jets, 2 DirectMiniMax Jets)
  - (D) Water Feature Control - Controls Water Feature Output.
- Jet Pump 1: All seats and footwell jets

### 20 Total Jets

DirectionalMax1  
Jets (10)

DirectionalMax2  
Jets (6)

DirectMiniMax  
Jets (4)



Spa Operation Subject To Change Without Notice

## SEAT DEPTHS

- A = 26.50" (67.31 cm)
- B = 26.25" (66.68 cm)
- C = 26.50" (67.31 cm)
- D = 26.25" (66.68 cm)
- E = 28.30" (71.87 cm)
- F = 18.00" (45.72 cm)
- G = 30.50" (77.47 cm)

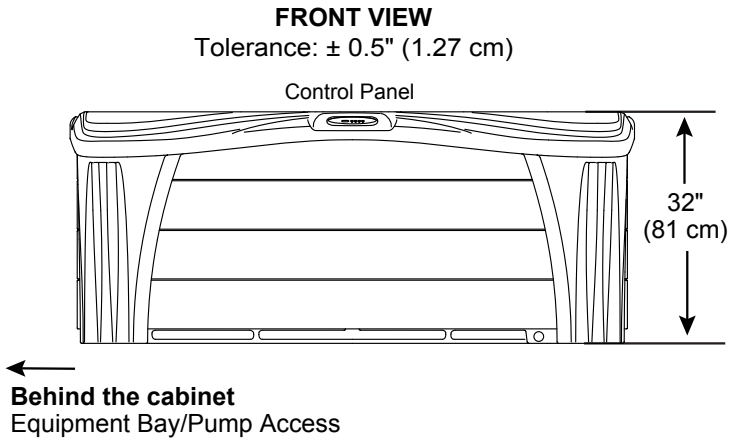
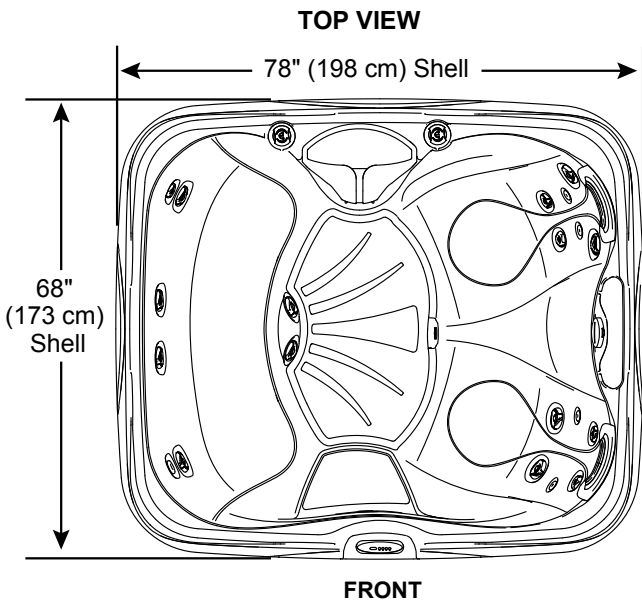
Listed dimensions represent distance from top of spa to lowest point in seat.  
Tolerance: ± 0.5" (1.27 cm)



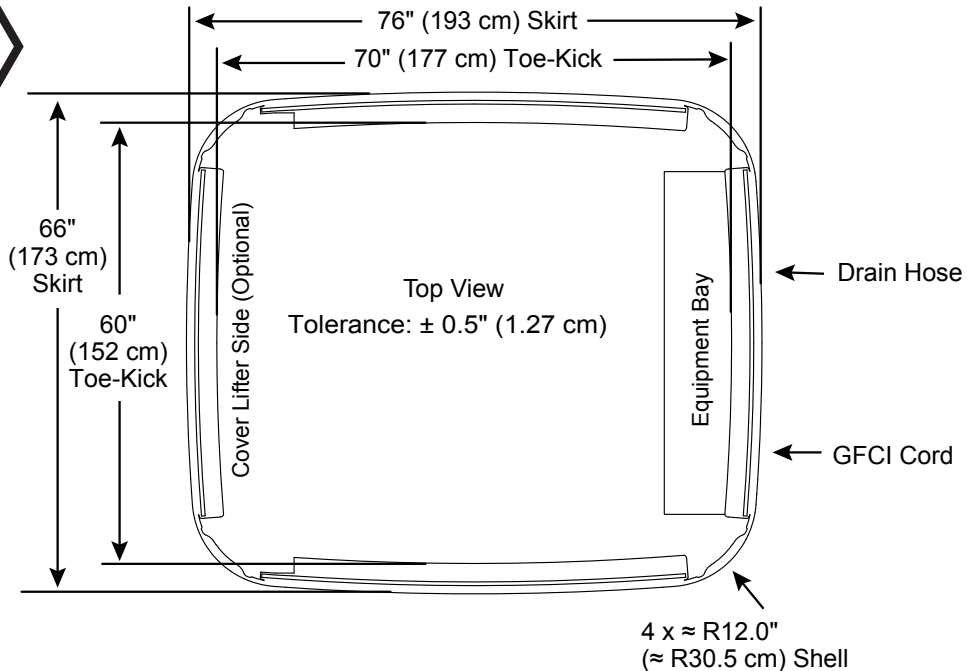
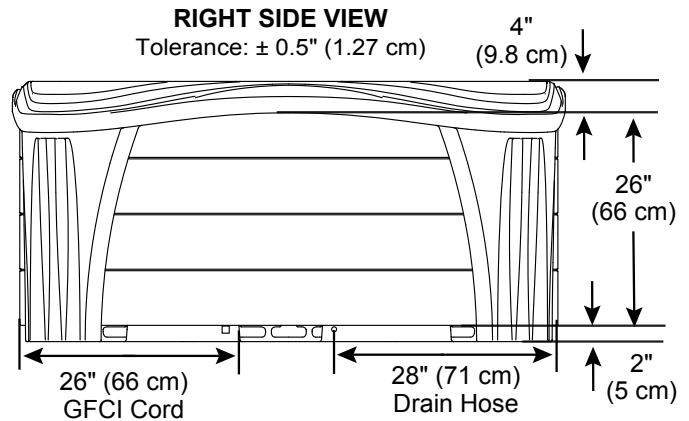
Dimensions/Specifications Subject To Change Without Notice

# Sundance Splash Paisley

## Portable Dimensions



**IMPORTANT! Always measure each hot tub for exact dimensions BEFORE designing its foundational support and/or decking.**



Dimensions/specifications subject to change without notice. Tolerance:  $\pm 0.5"$  (1.27 cm)

Dimensions/Specifications Subject To Change Without Notice









# Sundance® Spas

## **Sundance Spas, Inc.**

14525 Monte Vista Ave, Chino CA 91710/U.S.A.; Phone (909) 606-7733, Fax: (800) 497-7727  
Website: <http://www.sundancespas.com>