

ELECTRIC AIR HEATER

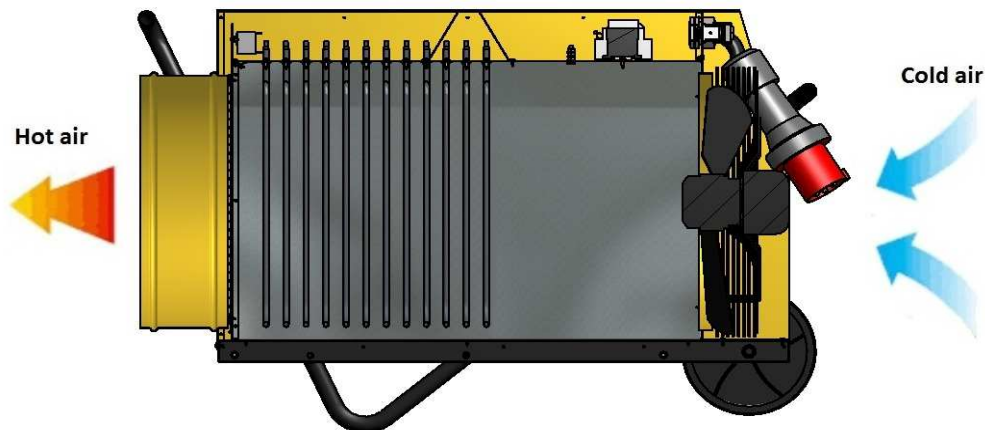
# B30 EPR



**PROGETTO NOLEGGI**<sup>®</sup>

by PETROLGAS s.r.l.

## FUNCTIONING PRINCIPLES



The device works on the principle of forced convection. The air flow is forced by a fan. Cold air is sucked from the back of the unit. The resistances heat the air. The heated air is expelled from the front of the heater. The unit is equipped with thermal protection with reset and a cooling thermostat. Switch positions: ventilation, heating with half power, heating at full power.

## TECHNICAL DATA

Max capacity	kW	<b>30</b>	Power supply	V	<b>400V</b>	
	Kcal/h	<b>25813</b>		Frequency	Hz	<b>50</b>
	Btu/h	<b>102364</b>			Rated current	A
Power source	Electrical energy					
Net weight	kg	<b>53</b>				
Gross weight	kg	<b>63</b>				
Noise level	dB(A)	<b>71</b>				
Air displacement	m <sup>3</sup> /h	<b>3500</b>				

## PACKAGING

Packaging dimensions	mm	<b>1050x585x820</b>
Device dimensions	mm	<b>1030x580x680</b>
Pieces for pallet	n°	<b>1</b>
Pieces per truck 80m <sup>3</sup>	n°	<b>132</b>

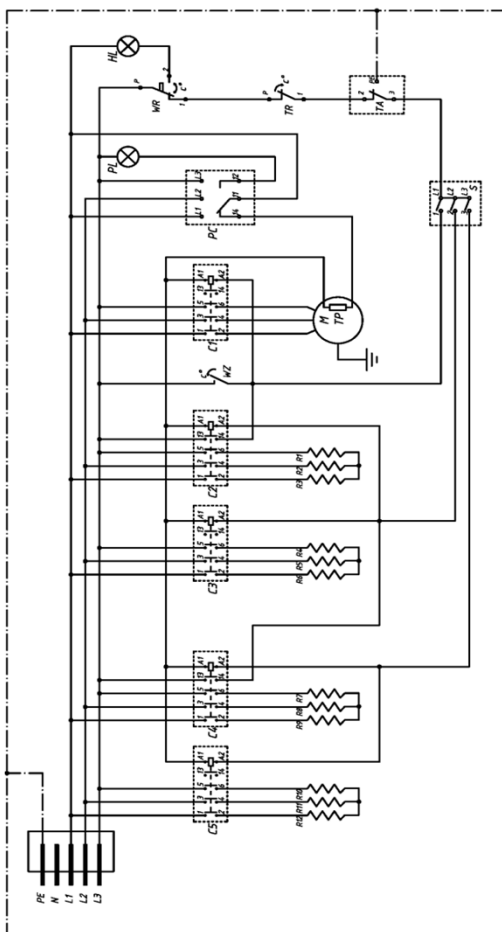
## COMPONENTS

Heating elements	3000W
Temperature limiter	With capillary
Fan	∅400mm
Thermal protection	110°C
Cooling thermostat	40°C
Thermostat connector	TH5
Contactors	4kW
Motor	Asynchronous, threephase, with thermal protection, clockwise rotation, 1380 rpm

## ACCESSORIES

Supply conductor	5m i 10m
Room thermostat	Thermostat TH5
Hot air hoses	Hose ∅405mm

## WIRING DIAGRAM



L1	:	Phase
L2	:	Phase
L3	:	Phase
N	:	Neutral
PE	:	Ground
WR	:	Thermal cut-out
WZ	:	Owerheat sensor
R1	:	Heating element
R2	:	Heating element
R3	:	Heating element
R4	:	Heating element
R5	:	Heating element
R6	:	Heating element
R7	:	Heating element
R8	:	Heating element
R9	:	Heating element
R10	:	Heating element
R11	:	Heating element
R12	:	Heating element
TA	:	Thermostat
TR	:	Thermostat
C1	:	Contactors
C2	:	Contactors
S	:	Switch
M	:	Motor