

DA/DAF low headroom drum grabs

Working load limit (WLL) 350 kg

The DA drum grab is designed for the vertical transportation of steel drums. The jaws grab under the lip of the drum with its form-fitting connection.

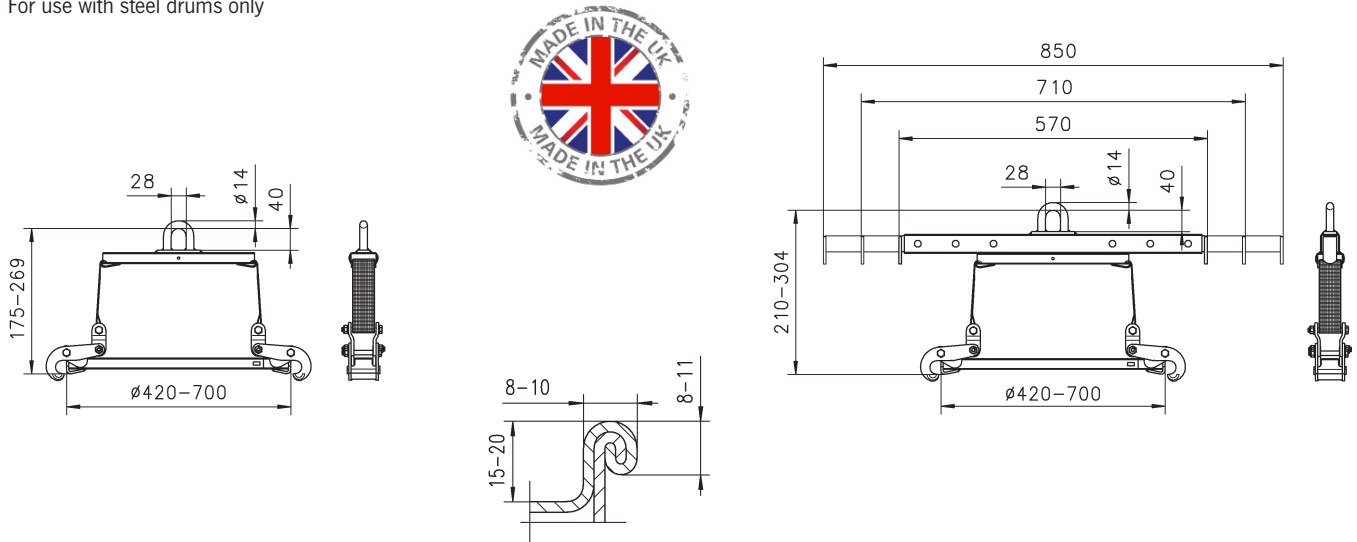
The DAF drum grab works on the same principle as the DA grab, but has the added benefit of adjustable arms that can be used with a forklift.

Product group: I2



INFO

For use with steel drums only



Relevant barrel dimensions

Technical data DA/DAF

Model	Art.-No.	WLL kg	Jaw capacity diameter mm	Weight kg
DA	N52303561	350	420 - 700	3.5
DAF	N52303562	350	420 - 700	6.0