

## CH Horizontal plate clamps

Industry standard horizontal plate clamps

Working load limit (WLL) 1000 - 10000 kg

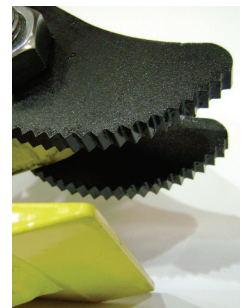
The CH horizontal plate clamps have been specifically designed to be used in pairs for the transportation of plate bundles as well as single plates with a minimum thickness of 5mm.

A pair of clamps used with a two legged chain sling are suitable for small plates. It is recommended to use two pairs in conjunction with a spreader beam for handling larger plates. These units are supplied as standard with a smooth jaw. There is also the option of hardened steel serrated jaws for special applications.

### Workmanship and parts

These plate clamps are service-friendly, making it easy to exchange parts, which are readily available. Clamp repairs must be done by a trained person.

Product group: I2



\*\*\*CH with serrated jaw which can only be used for single plates, NOT bundles.

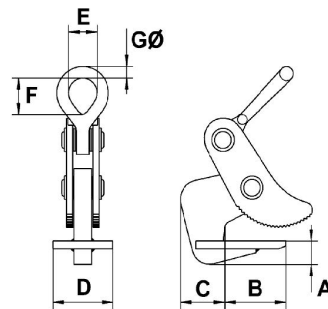
## INFO

These units must not be used with endless chain slings.

The angle between the chain legs must not exceed 45° from the vertical.

The capacity applies to a pair of lifting clamps.

Chain slings are not included.



### Technical data CH

| Model | Art.-No.    | *WLL<br>kg | Jaw (Z)<br>Capacity<br>mm | A<br>mm | B<br>mm | C<br>mm | D<br>mm | E<br>mm | F<br>mm | G<br>mm | *Weight<br>kg |
|-------|-------------|------------|---------------------------|---------|---------|---------|---------|---------|---------|---------|---------------|
| CH1** | N4300000041 | 1000       | 5 - 32                    | 30      | 82      | 60      | 100     | 32      | 44      | 13      | 8             |
| CH2   | N50501511   | 2000       | 5 - 32                    | 30      | 82      | 60      | 100     | 50      | 73      | 18      | 11            |
| CH2L  | N4300000048 | 2000       | 20 - 50                   | 30      | 82      | 60      | 100     | 50      | 73      | 18      | 12            |
| CH4   | N50501512   | 4000       | 5 - 50                    | 40      | 112     | 80      | 100     | 64      | 92      | 25      | 17            |
| CH4L  | N4300000052 | 4000       | 50 - 100                  | 40      | 112     | 80      | 100     | 64      | 92      | 25      | 23            |
| CH6   | N50501513   | 6000       | 5 - 75                    | 55      | 172     | 100     | 130     | 90      | 130     | 35      | 46            |
| CH6L  | N4300000056 | 6000       | 50 - 125                  | 55      | 172     | 100     | 130     | 90      | 130     | 35      | 56            |
| CH8   | N50501514   | 8000       | 5 - 75                    | 55      | 172     | 105     | 130     | 90      | 130     | 35      | 53            |
| CH8L  | N4300000060 | 8000       | 50 - 125                  | 55      | 172     | 105     | 130     | 90      | 130     | 35      | 60            |
| CH10  | N50501515   | 10000      | 5 - 100                   | 65      | 215     | 120     | 150     | 114     | 114     | 37 x 50 | 95            |
| CH10L | N50501516   | 10000      | 50 - 150                  | 65      | 215     | 120     | 150     | 114     | 114     | 37 x 50 | 108           |
| CH15  | N4300012878 | 15000      | 5 - 100                   | 71      | 230     | 120     | 150     | 114     | 114     | 37 x 50 | 110           |
| CH15L | N4300012879 | 15000      | 50 - 150                  | 71      | 230     | 120     | 150     | 114     | 114     | 37 x 50 | 123           |
| CH20  | N4300014489 | 20000      | 5 - 100                   | 70      | 220     | 118     | 220     | 80      | 120     | 38 x 60 | 165           |
| CH20L | N4300014491 | 20000      | 50 - 150                  | 70      | 220     | 118     | 220     | 80      | 120     | 38 x 60 | 172           |

\*Per pair

\*\*NB. CH1 is fitted with a single jaw.

\*\*\*Serrated jaw option is available on request as a special order