



RH/WH Horizontal plate clamps

Working load limit (WLL) 1500 - 5000 kg

This range of plate clamps have been designed to be used in pairs. For the horizontal transportation of individual and bundled plate. The RH clamps are fitted, as standard, with a steel roller to reduce any potential marking of the plate. The WH model is fitted with a serrated steel plate.

These clamps are sold and must be used in pairs. They should always be used with a two legged chain sling (not supplied).

Workmanship and parts

These plate clamps are service-friendly, making it easy to exchange parts, which are readily available. Clamp repairs must be done by a trained person.

Product group: I2

INFO

The angle from the vertical must not exceed 45°!

Technical data RH/WH

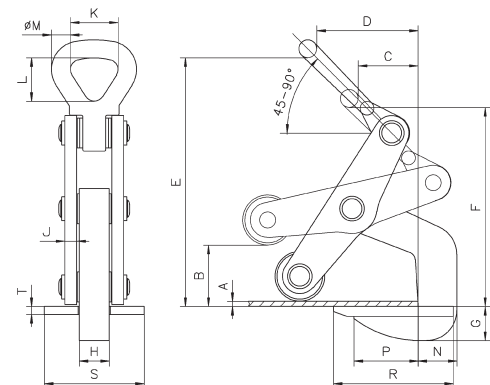
Model	Art.-No.	*WLL kg	Jaw capacity mm	**Weight kg
RH1500 with roller	N54509101	1500	5 - 60	5.6
RH2500 with roller	N54509102	2500	10 - 70	10.3
RH3500 with roller	N54509103	3500	10 - 80	13.4
RH5000 with roller	N54509104	5000	10 - 102	27.7
WH1500 with plate	N54509105	1500	5 - 60	5.7
WH3500 with plate	N54509107	3500	10 - 80	13.5

*Per pair, angle from the vertical max. 45°

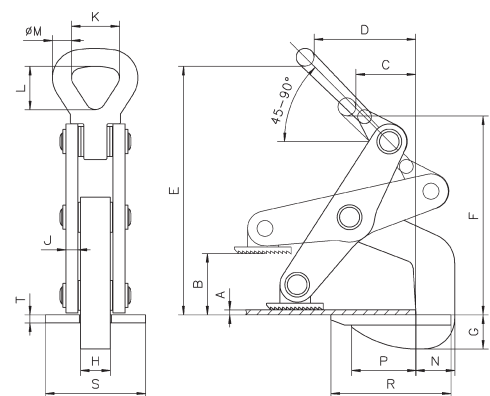
**Per unit

Dimensions RH/WH

Model	RH1500 with roller	RH2500 with roller	RH500 with roller	RH5000 with roller	WH1500 with plate	WH3500 with plate
A, mm	5	10	10	10	5	10
B, mm	60	70	80	102	60	80
C, mm	60	75	90	110	60	90
D, mm	105	130	162	170	105	162
E, mm	250	315	345	425	250	345
F, mm	200	275	292	345	200	292
G, mm	31	45	55	57	22	48
H, mm	30	30	30	45	30	30
J, mm	12	12	15	20	12	15
K, mm	50	64	64	89	50	64
L, mm	73	92	92	130	73	92
Ø M, mm	18	25	25	35	18	25
N, mm	36	58	65	80	36	65
P, mm	65	77	105	120	65	105
R, mm	120	150	185	210	120	185
S, mm	100	100	100	120	100	100
T, mm	10	10	10	12	10	10



RH with roller



WH with plate