



Quick open lever



TWG modified side plates for use in confined spaces (e.g. lathe machine).

TAG Wide jaw vertical clamps

Working load limit (WLL) 350 - 5000 kg

TWG Modified side plates

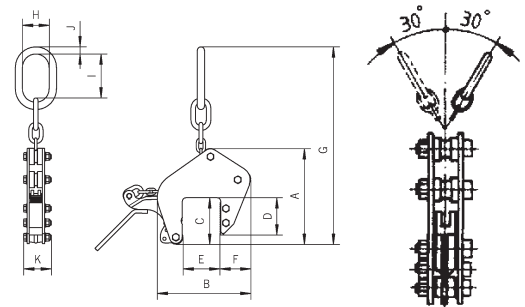
Working load limit (WLL) 750 - 1250 kg

The TAG vertical clamps are extremely versatile. They have a large jaw capacity that enables them to be used on a multitude of applications such as loading machine tools, steel constructions, welding and numerous assembly functions. The design means that they do not require additional chain slings and are very easy and simple to use.

The automatic gripping force is retained by a positive tension jaw spring, even if there is slack in the chain. The clamps are also fitted with a 'Quick-Open' lever for ease of loading and unloading.

The TWG vertical grab (shown left) is a variation of the TAG. It is specially designed with a small outside measurement for use on hard to reach places such as loading billets on to a lathe etc.

Product group: I2



Technical data TAG/TWG

Model	Art.-No.	*WLL kg	Jaw (Z) Capacity mm	A mm	B mm	C mm	D mm	E mm	F mm	G mm	H mm	I mm	J mm	K mm	*Weight kg
TAG750/100	N50300803	75 - 750	0 - 100	264	259	128	100	100	85	550	75	121	20	83	9
TAG750/200	N50300804	75 - 750	90 - 200	382	434	195	156	200	120	760	75	121	20	90	15
TAG1250/100	N50300805	125 - 1250	0 - 100	320	289	128	100	100	85	570	75	121	20	83	15
TAG1250/200	N50300806	125 - 1250	90 - 200	382	434	195	156	200	120	760	75	121	20	90	26
TAG2000/100	N50300807	200 - 2000	0 - 100	328	415	135	115	100	105	571	75	121	20	105	22
TAG2000/200	N50300808	200 - 2000	90 - 200	375	515	195	165	200	160	750	75	121	20	105	30
TAG3000/90	N50300809	300 - 3000	5 - 90	297	290	136	106	90	91	570	82	111	32	137	25.5
TAG5000/90	N50300810	500 - 5000	5 - 90	297	290	136	106	90	91	570	82	111	32	147	30
TWG750/100	N50300821	75 - 750	30 - 100	264	209	128	100	100	35	550	75	121	20	83	11
TWG750/200	N4300003549	75 - 750	100 - 200	382	354	195	156	200	40	760	75	121	20	90	16
TWG1250/100	N50300822	125 - 1250	30 - 100	320	255	128	100	100	51	570	75	121	20	83	16
TWG1250/200	N50300824	125 - 1250	100 - 200	382	374	195	156	200	60	760	75	121	20	90	23

*Per clamp