

CTP
Trolley clamp

Capacity 1000 - 3000 kg

Easy fitting to overhead beams for the attachment and transport of loads.

Features

- Central threaded spindle provides quick adjustment to the required beam width.
- Threaded spindle and clevis are zinc-plated for added corrosion protection.

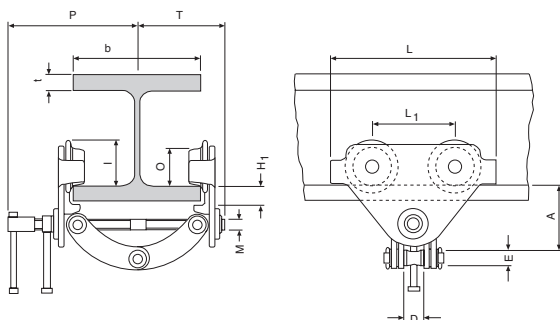


Technical data CTP

Model	Art.-No.	Capacity kg	Beam flange width b mm	Curve radius min. m	Weight kg
CTP 1-A	N05500024	1000	60 - 150	0.6	2.5
CTP 2-A	N05500025	2000	75 - 200	0.9	9.9
CTP 2-B	N05500026	2000	200 - 300	0.9	10.3
CTP 3-A	N05500027	3000	75 - 200	1.15	17.5
CTP 3-B	N05500028	3000	200 - 320	1.15	19.5

Dimensions CTP

Model	CTP 1-A	CTP 2-A	CTP 2-B	CTP 3-A	CTP 3-B
A, mm	82 - 109	106 - 155	136 - 191	128 - 171	150 - 212
D, mm	26	42	42	50	50
E, mm	22	20	20	22	22
H1, mm	20	24	24	30.5	30.5
I, mm	53	71.5	71.5	95.5	95.5
L, mm	160	260	260	310	310
L1, mm	75	130	130	150	150
M, mm	M12	M18	M18	M24	M24
O, mm	46	60	60	80	80
P, mm	153	205	255	220	280
T, mm	105	139	189	155	215
tmax., mm	15	25	25	25	25



INFO

Yale hoists and trolleys are not designed for passenger elevation applications and must not be used for this purpose.