



Hinged hook ring



CY Hinged vertical plate clamps

Working load limit (WLL) 100 - 3000 kg

The CY plate clamps with hinged hook rings can be used for the safe handling of plate at various angles. It can lift plate from the horizontal and put it down in the vertical. The hinged hook ring ensures adequate gripping pressure in every position, but the load capacity reduces. See the diagram below showing the load / force capacities.

The main benefit of the CY hinged plate clamps is that longer plates can be lifted or handled, using two clamps on a two legged chain sling, thus eliminating the need for a spreader beam.

Workmanship and parts

These plate clamps are service-friendly, making it easy to exchange parts, which are readily available. Clamp repairs must be done by a trained person.

Product group: I2

INFO

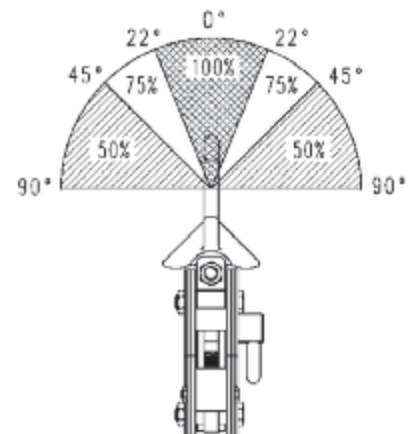
The plate surface of the material being clamped must have a hardness level below HRC 30/Brinell 300.

Must be used in pairs

Technical data CY

Model	Art.-No.	*WLL kg	Jaw capacity Z mm	*Weight kg
CY1	N50200312	1000	0 - 20	4.6
CY2	N50200313	2000	0 - 32	14
CY3	N50200314	3000	0 - 32	14

*Per clamp



Dimensions CY

Model	CY1	CY2	CY3
A, mm	126	192	192
B, mm	270	382	382
Ø C, mm	50	80	80
D, mm	49	75	75
E, mm	70	96	96
F, mm	95	132	132
G, mm	63	92	92
H, mm	12	20	20
I, mm	23	30	30

