

MOD SPECIFICATION DECK PLATES

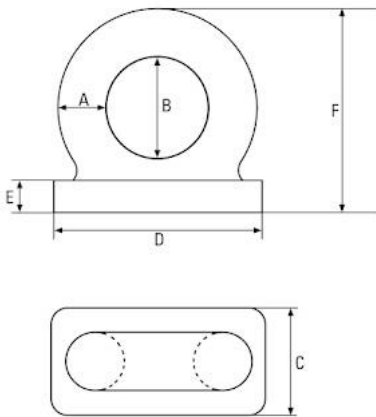


Material: BS970 150 M19 or equal

Standard: AP drawing no. 002521434

Finish: self-colour, normalised condition, hardness HB159-229

Note: The rated proof load is subject to the correct welding procedures being completed. When used in safety critical applications the deck plates must be subjected to load testing prior to placing in to service.



AP No.	Proof Load (t)	A (mm)	B (mm)	C (mm)	D (mm)	E (mm)	F (mm)
AP4014	2.0	10	20	25	45	6	38
AP4015	3.5	12	25	35	60	8	50
AP4016	5.5	16	32	45	70	10	64
AP4017	7.5	19	38	50	85	12	76
AP4018	9.6	22	42	60	102	13	89
AP4019	13.0	25	50	70	115	16	100

Note: Dimensions are nominal and are offered for guidance only.